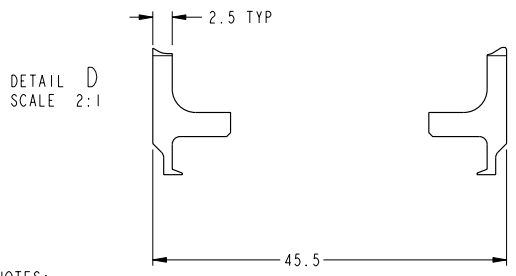
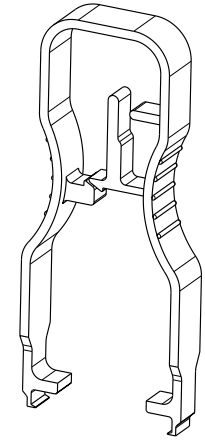
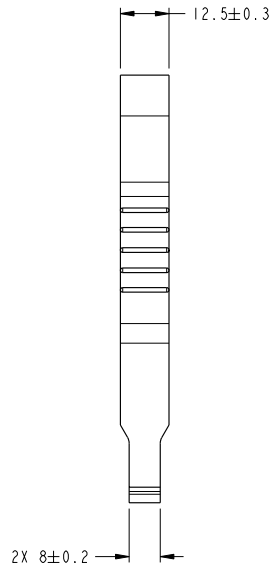
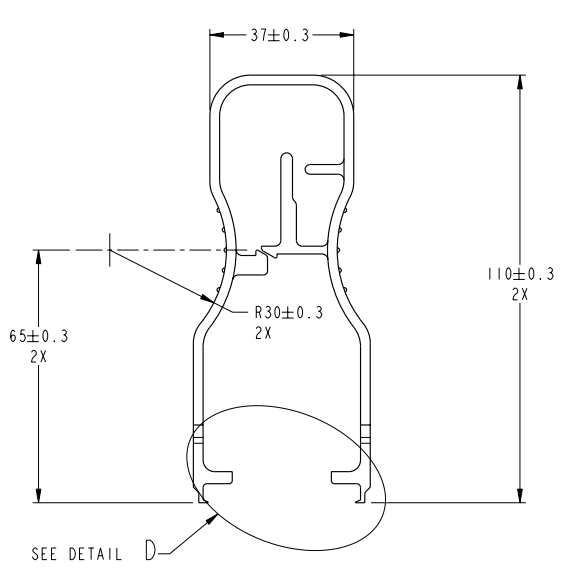


Tous droits strictement réservés. Reproduction ou utilisation non autorisée sans la permission écrite du propriétaire. Propriété de FCI.

All rights strictly reserved. Reproduction or use in third parties in any form without written authority from the proprietor. Property of FCI. Copyright © 2006.

PRODUCT NUMBER
 10039744-001



NOTES:
 ① MATERIAL: ANTI-STATIC ABS

rev	ech no	dr	date
A	V04-0659	CGD	06/22/04
-	-	-	-
-	-	-	-

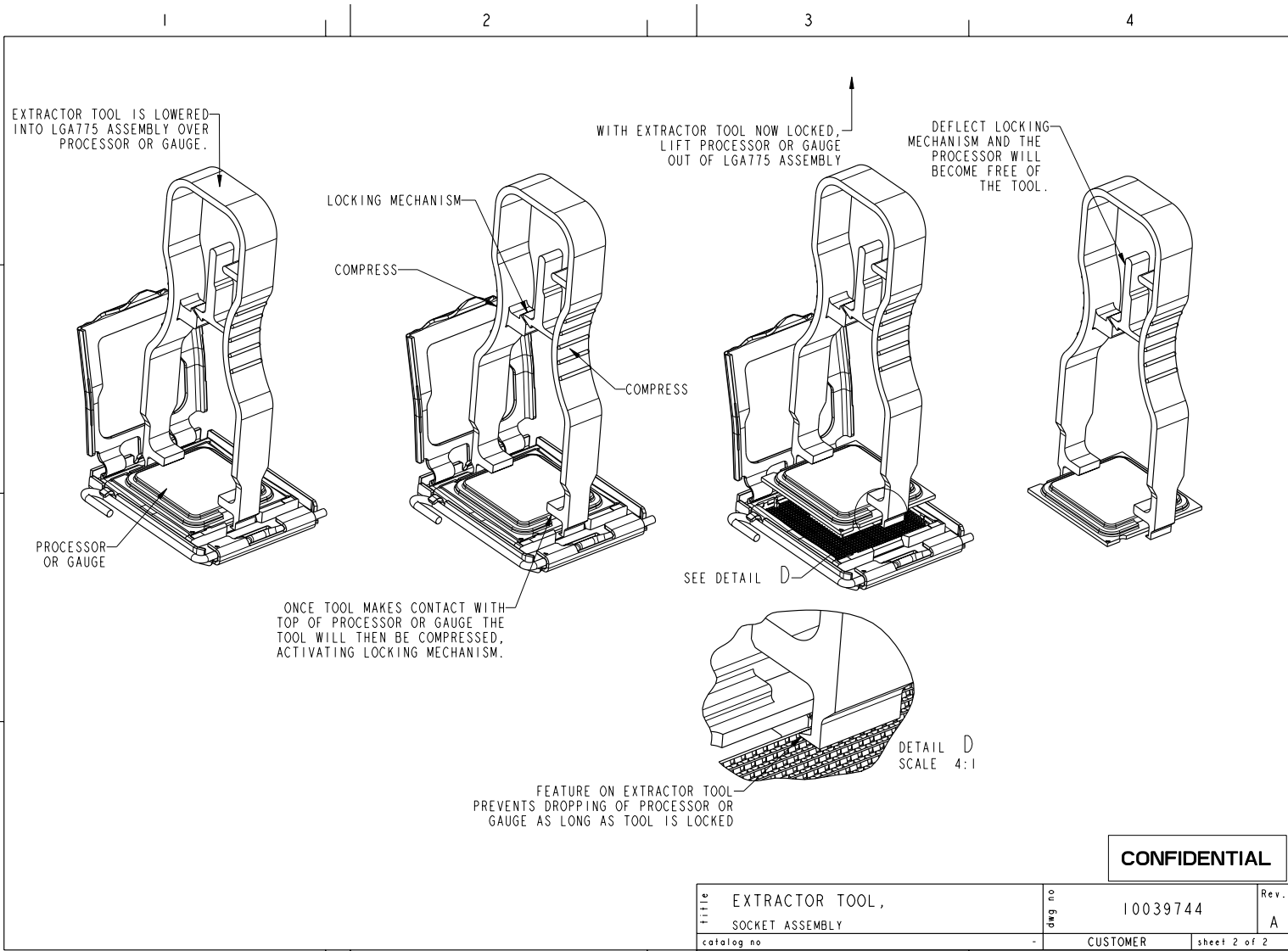
TOLERANCES UNLESS OTHERWISE SPECIFIED		
LINEAR	0.X	±.3
	0.XX	±.10
	0.XXX	±.050
ANGULAR	0°	±2°

CONFIDENTIAL				
FCI www.fciconnect.com		surface <input checked="" type="checkbox"/> tolerance	projection <input checked="" type="checkbox"/> <input type="checkbox"/>	MM
Dr	C. DAILY 03/22/04	Product family	LGA775	size A3
Eng	D. JOHNESCU 03/22/04	Spec ref		Scale 1:1
Chr	D. JOHNESCU 03/22/04	Material	SEE NOTES	ECN ---
Appr	D. JOHNESCU 03/22/04			
title EXTRACTOR TOOL, SOCKET ASSEMBLY		dwg no 10039744	Rev. A	
catalog no CUSTOMER			sheet 1 of 2	

Tous droits strictement réservés. Reproduction ou utilisation sans autorisation écrite de propriétaire. Property of FCI. Toute réimpression est interdite sans autorisation écrite du propriétaire.

FCI

All rights strictly reserved. Reproduction or use in third parties in any form without written permission from the proprietor. Property of FCI. Copyright © 2006 FCI.



CONFIDENTIAL

title EXTRACTOR TOOL, SOCKET ASSEMBLY		dwg no 10039744	Rev. A
catalog no	CUSTOMER	sheet 2 of 2	