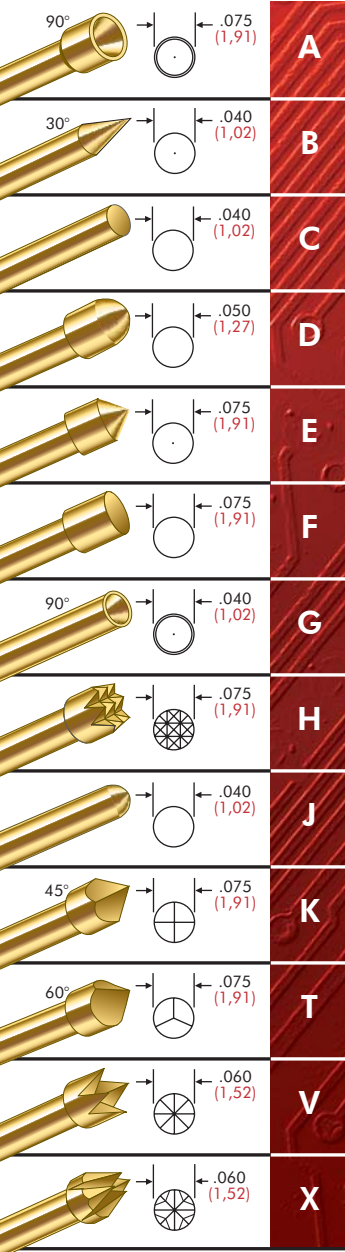


Series S SIZE 2 .100 CENTERS

BeCu PLUNGERS



PROBE SPECIFICATIONS

Minimum Centers: .100 (2,54)
 Current Rating: 3 amps continuous
 Spring Force: 4.0, 7.0, 8.3 or 10.0 oz. @ .100 (2,54) travel
 Contact Resistance:
 Economy: <60 mΩ
 Standard: <35 mΩ
 Working Travel: .100 (2,54)

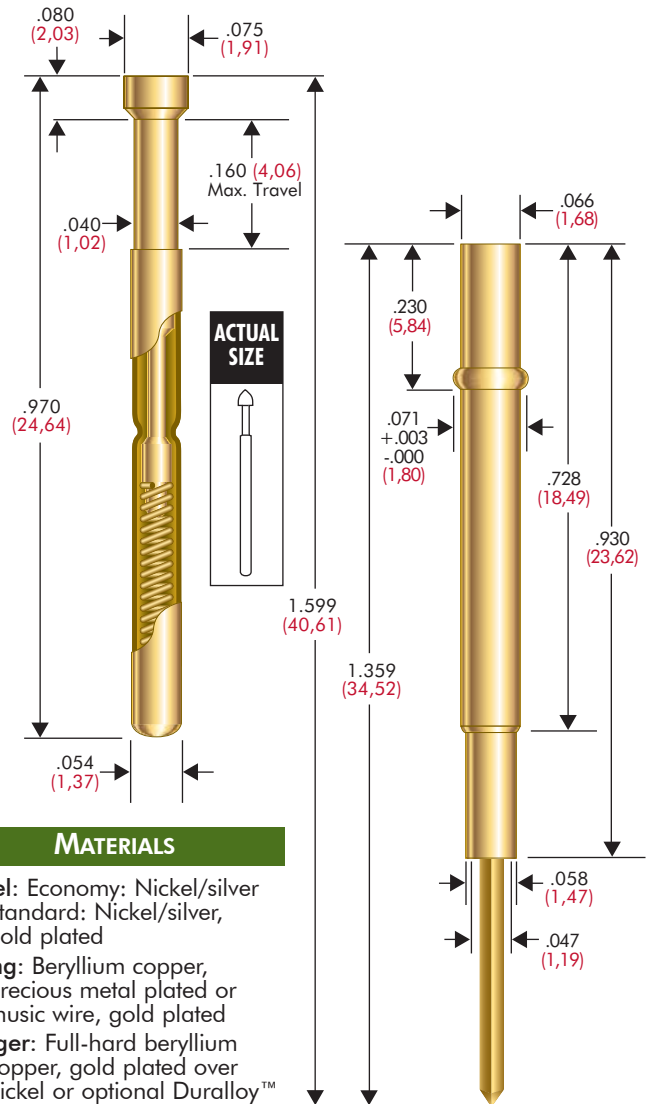
Rated Force oz (gms)	Preload oz (gms)	Material
4.0 (113)	1.6 (45)	BeCu
7.0 (198)	2.9 (82)	BeCu
8.3 (235)	3.3 (93)	MW
10.0 (283)	3.9 (110)	MW

RECEPTACLE SPECIFICATIONS

Connections:
 R-2-CR: Crimp
 R-2-SC: Solder Cup
 R-2-WW: Wire Wrap, .025 (0,64) square post .429 (10,90) length
 R-2-RP: Round Post .025 (0,64) diameter .375 (9,53) length

Recommended Wire:
 22-26 gage
Drill Size: #30
Mounting Hole Size:
 .068/.070 (1,73/1,78)

S 2 PROBE AND RECEPTACLE



MATERIALS

Barrel: Economy: Nickel/silver
 Standard: Nickel/silver, gold plated
Spring: Beryllium copper, precious metal plated or music wire, gold plated
Plunger: Full-hard beryllium copper, gold plated over nickel or optional Duralloy™
Receptacle: Standard: Nickel/silver, gold plated post
 High Performance: Nickel/silver, gold plated; gold plated post

HOW TO ORDER: SPRING CONTACT PROBE

S	2	A	4	G
SERIES	SIZE	TIP STYLE	SPRING FORCE	PLATING OPTIONS
SERIES: S: Gold Plated Barrel SX: Improved Pointing Accuracy, Gold Plated Barrel SE: Nickel/Silver Barrel	SPRING FORCE: 4.0 oz. @ .100 (2,54) travel 7.0 oz. @ .100 (2,54) travel 8.3 oz. @ .100 (2,54) travel 10.0 oz. @ .100 (2,54) travel			PLATING OPTIONS: G: Gold Plated Plunger D: Duralloy™ Plated Plunger

CRIMPING PLIERS: CP2
 INSERTION TOOL: RT2

RECEPTACLE

R	2	WW	429
SERIES	SIZE	TERMINATION	POST LENGTH
SERIES: R: High Performance Series RS: Standard Series		TERMINATIONS: CR: Crimp SC: Solder Cup WW: Wire Wrap RP: Round Post	

POST LENGTH:
 WW: 429
 RP: 375

View updates of this information at <http://www.idinet.com>

Specifications subject to change without notice. Dimensions in inches (millimeters)