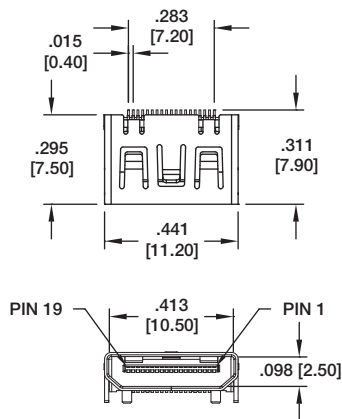
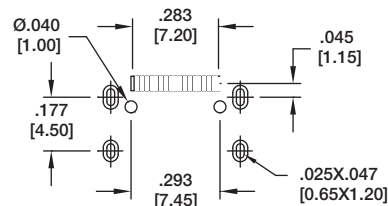


MINI HDMI, RIGHT ANGLE, SMT

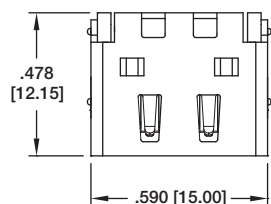


MHDMI-S-RA-1-SMT

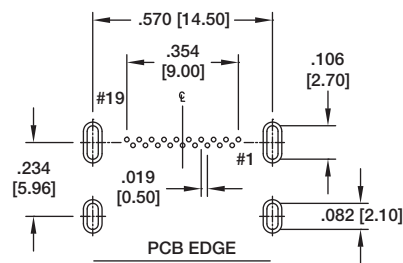
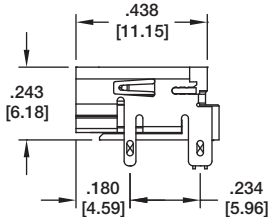
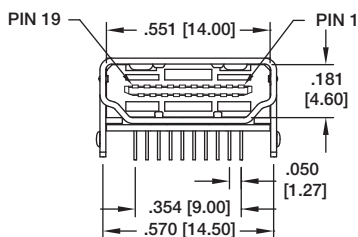


Recommended PCB Layout

RIGHT ANGLE THRU-HOLE

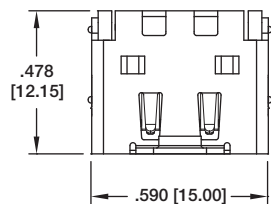


HDMI-S-RA-1

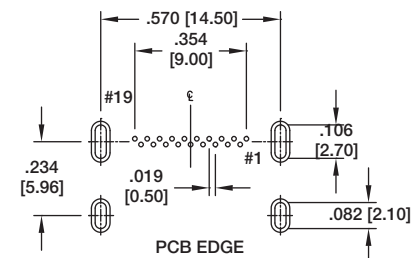
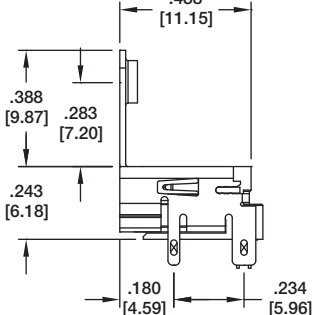
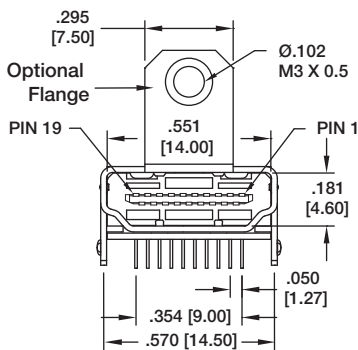


Recommended PCB Layout

HDMI RIGHT ANGLE

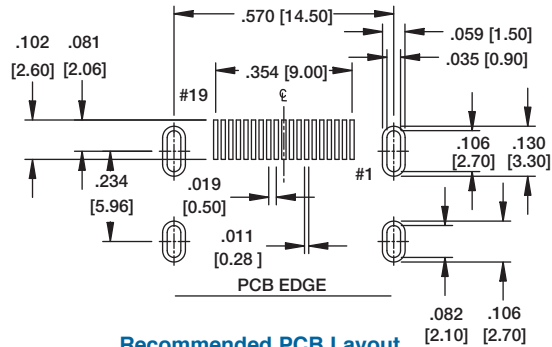
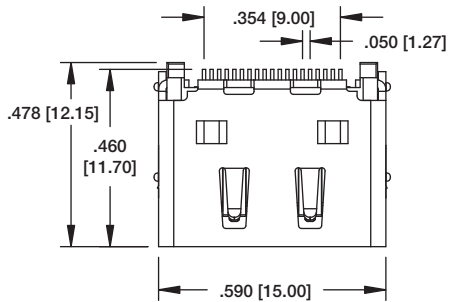


HDMI-S-RA-1-MF

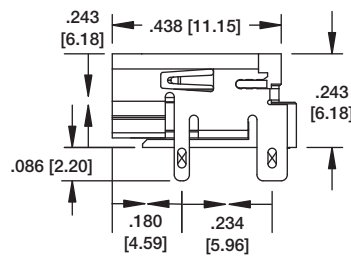
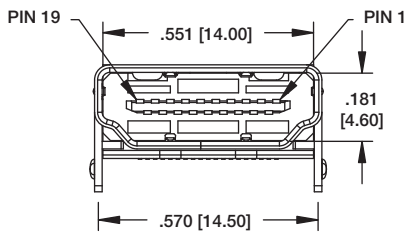


Recommended PCB Layout

RIGHT ANGLE SMT

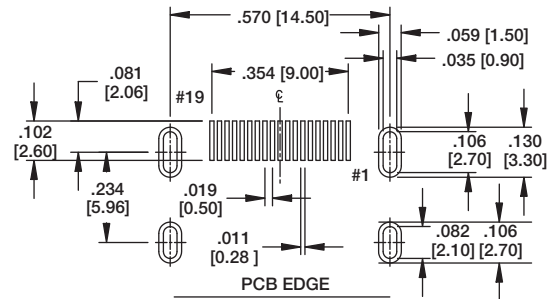
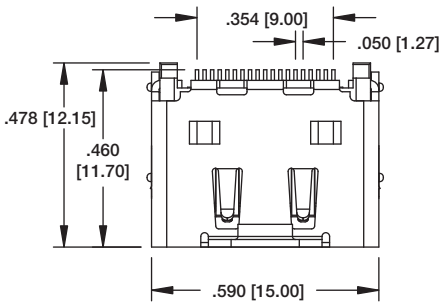


Recommended PCB Layout

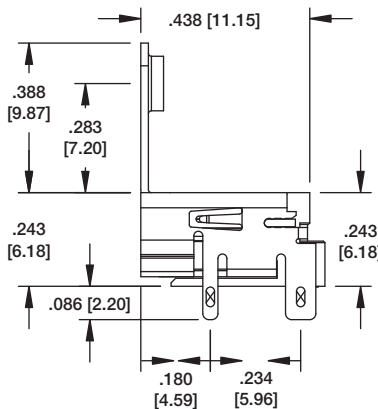
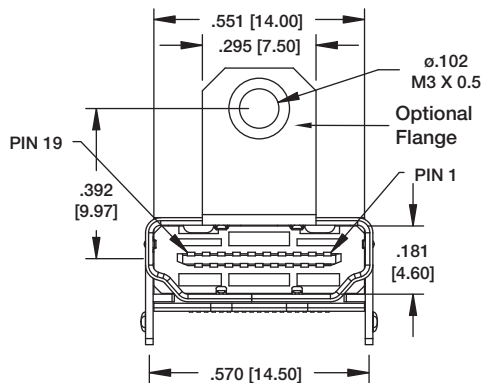


HDMI-S-RA-SMT

RIGHT ANGLE SMT WITH MOUNTING FLANGE

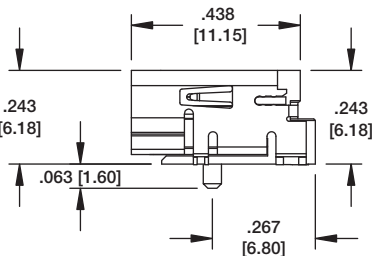
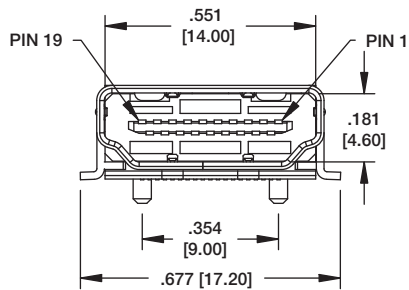
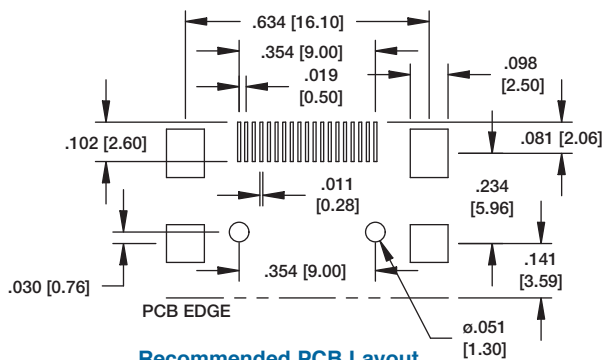
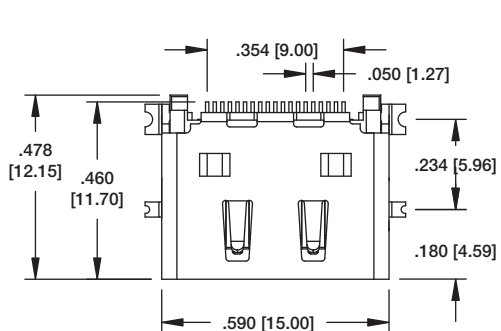


Recommended PCB Layout



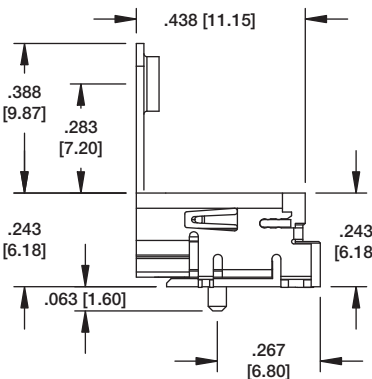
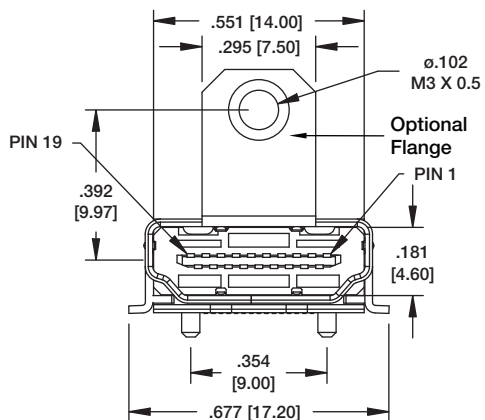
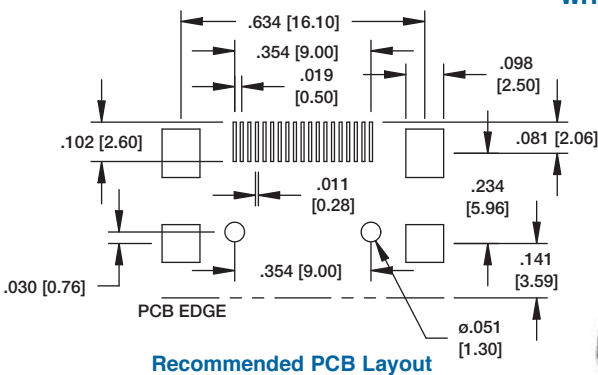
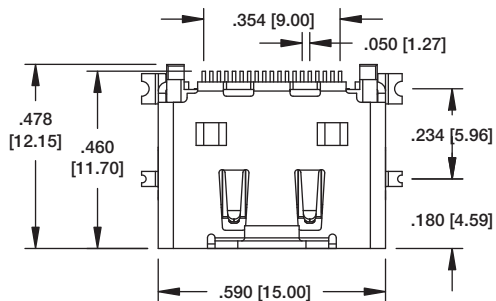
HDMI-S-RA-SMT-MF

RIGHT ANGLE TRUE SMT



HDMI-S-RA-TSMT

RIGHT ANGLE TRUE SMT WITH MOUNTING FLANGE



HDMI-S-RA-TSMT-MF