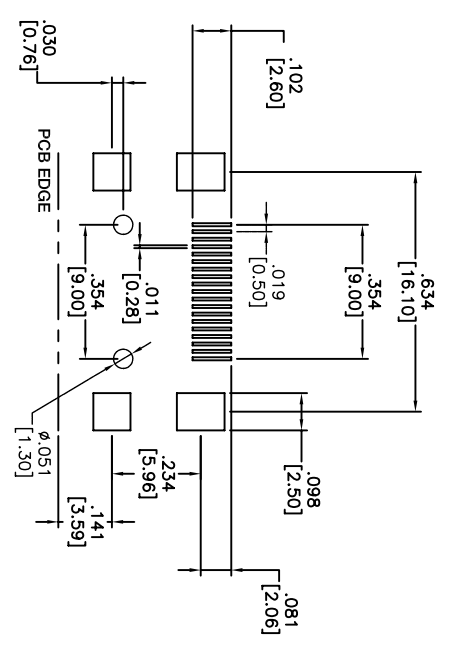
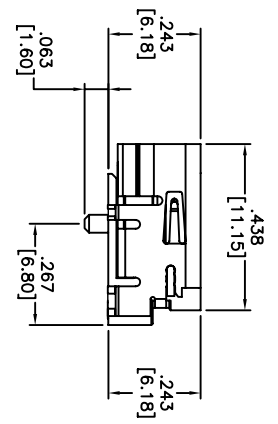
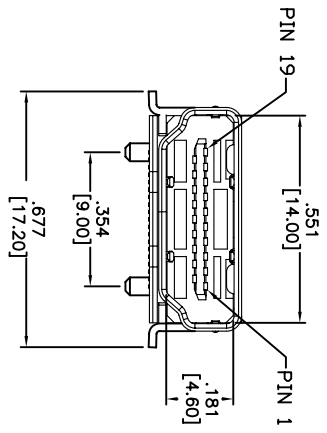
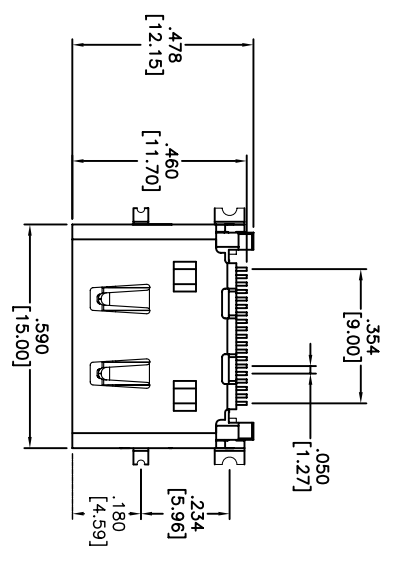


APPROVED: _____ TITLE: _____
 DATE: _____

Rev	AWO #	Description	Date	Appr
-	7155	RELEASED	10/09/06	



SPECIFICATIONS:

Material:
 Insulator: Hi Temp thermoplastic, glass reinforced,
 rated UL 94V-0
 Insulator color: Black
 Contacts: Copper Alloy
 Shell: Steel, Nickel plated
Plating:
 Gold flash over Nickel underplate on Contact area,
 Tin over Nickel underplate on SMT tails

Electrical:
 Operating voltage: 40 VAC max
 Current rating: 0.5 Amps max
 Contact resistance: 30 Mohms max
 Insulation resistance: 10 Mohms min
 Dielectric withstanding voltage: 500 VAC for 1 minute
Temperature Rating:
 Operating temperature: -20°C to +85°C
 Environmental:
 Lead free, RoHS compliant.
 Recommended soldering temp: 260°C for 5 sec.



UNLESS OTHERWISE SPECIFIED ALL DIMENSIONS ARE INCHES [MM] TOLERANCES: EXCEPT AS NOTED	
X .XX ± .10	Ø X ± .10
.XX ± .020	± .015
.XXX ± .015	Ø XXX ± .010
APPROVALS	DATE
DRAWN BW	10/09/06
CHECKED	
APPROVED	

ADAM TECH
 909 Rahway Avenue, Union, NJ 07083
 Phone: 908-687-5000 Fax: 908-687-5710

TITLE: HDMI CONNECTOR, RIGHT ANGLE,
 SURFACE MOUNT, NO PEG, FLANGE

SIZE	PART NO.	REV.
X	HDMI-S-RA-TSMT	
SCALE: NTS	SHEET 1 OF 2	