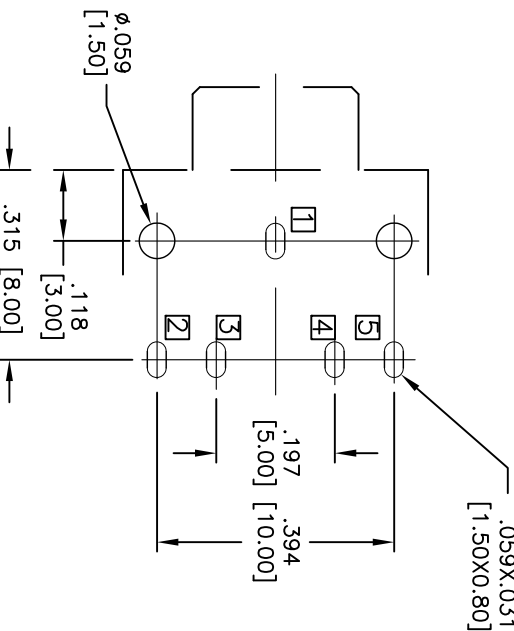
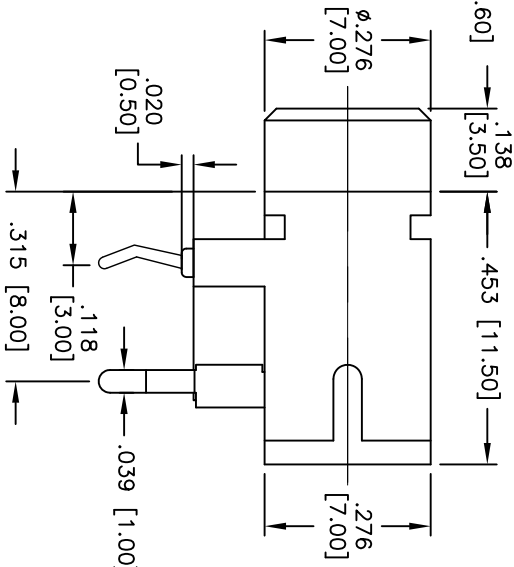
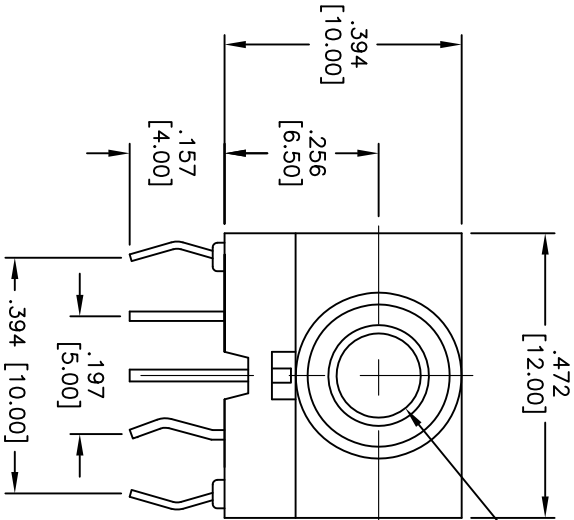


APPROVED: _____
 DATE: _____ TITLE: _____

Rev	AWO #	Description	Date	Appr
-		RELEASED	12/10/04	
A		REDRAWN	8/30/10	



RECOMMENDED PCB LAYOUT

CONTRACT FORM	ASJ-6-5	ASJ-6-4B	ASJ-6-3A	ASJ-6-3	ASJ-6-2	ASJ-6-4A
SCHMATIC						

SPECIFICATIONS:

Material: Insulator: PBT, rated UL 94V-0
 Insulator color: Black
 Contacts: Copper Alloy, Tin plated.
 Electrical:
 Operating voltage: 30 VDC max.
 Current rating: 0.5 Amp max.
 Contact resistance: 30 mohms max.
 Insulation resistance: 100 Mohms min.
 Dielectric withstanding voltage: 500 VAC for 1 minute
 Temperature Rating:
 Operating temperature: -20°C to +70°C
 Environmental:
 Lead free, RoHS compliant.
 Recommended soldering temp: 235°C for 5 sec.



ADAM TECH

909 Railway Avenue, Union, NJ 07083
 Phone: 908-687-5000 Fax: 908-687-5710

STEREO PHONE JACK, 3.5mm

UNLESS OTHERWISE SPECIFIED ALL DIMENSIONS ARE INCHES [MM]		TOLERANCES: EXCEPT AS NOTED		HOLE SIZES		DATE	
.X	± .10	ØXX	± .10	ØXX	± .10	DATE	
.XX	± .020	ØXXX	± .015	ØXXX	± .010		
.XXX	± .015	ØXXXX	± .010				
DRAWN		SS	10/4/04	SIZE	PART NO.	REV.	
CHECKED	AY	8/30/10		X	ASJ-6-XX	A	
APPROVED				REF:	S00002C	SCALE:	NIS
						SHEET	1 OF 1

6

5

4

3

2

1

6

5

4

3

2

1