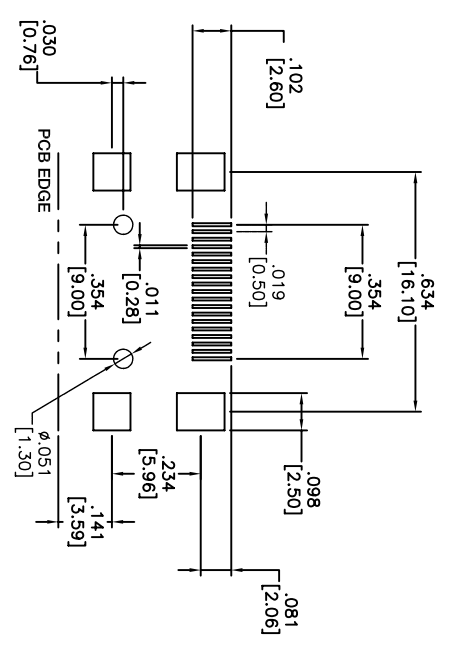
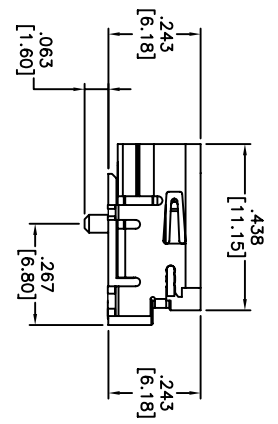
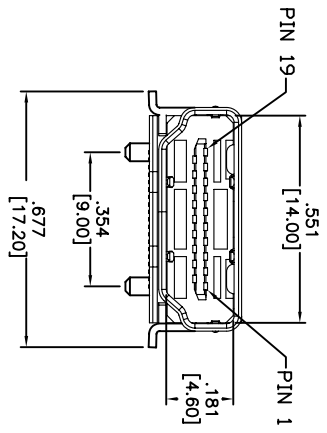
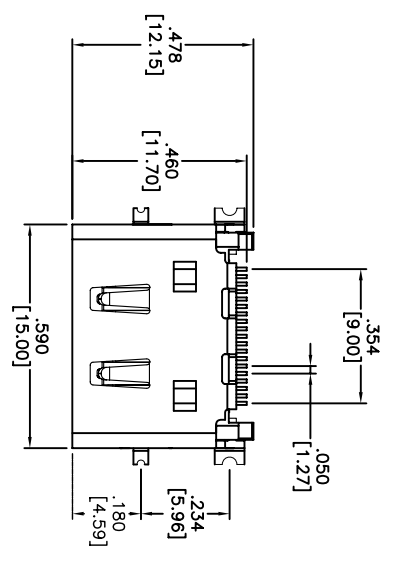


APPROVED: \_\_\_\_\_ TITLE: \_\_\_\_\_  
 DATE: \_\_\_\_\_

Rev	AWO #	Description	Date	Appr
-	7155	RELEASED	10/09/06	



**SPECIFICATIONS:**

**Material:**  
 Insulator: Hi Temp thermoplastic, glass reinforced, rated UL 94V-0  
 Insulator color: Black  
 Contacts: Copper Alloy  
 Shell: Steel, Nickel plated  
**Plating:**  
 Gold flash over Nickel underplate on Contact area,  
 Tin over Nickel underplate on SMT tails

**Electrical:**  
 Operating voltage: 40 VAC max  
 Current rating: 0.5 Amps max  
 Contact resistance: 30 Mohms max  
 Insulation resistance: 10 Mohms min  
 Dielectric withstanding voltage: 500 VAC for 1 minute  
**Temperature Rating:**  
 Operating temperature: -20°C to +85°C  
 Environmental:  
 Lead free, RoHS compliant.  
 Recommended soldering temp: 260°C for 5 sec.



UNLESS OTHERWISE SPECIFIED ALL DIMENSIONS ARE INCHES [MM] TOLERANCES: EXCEPT AS NOTED	
X .XX ± .10	Ø X ± .10
.XX ± .020	± .015
.XXX ± .015	Ø XXX ± .010
APPROVALS	DATE
DRAWN BW	10/09/06
CHECKED	
APPROVED	

**ADAM TECH**  
 909 Rahway Avenue, Union, NJ 07083  
 Phone: 908-687-5000 Fax: 908-687-5710

TITLE: HDMI CONNECTOR, RIGHT ANGLE, SURFACE MOUNT, NO PEG, FLANGE

SIZE X	PART NO. HDMS-RA-TSMT	REV.
REF:	SCALE: NTS	SHEET 1 OF 2