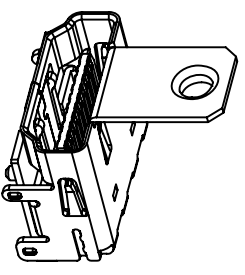
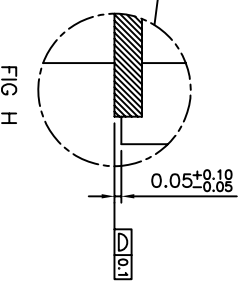
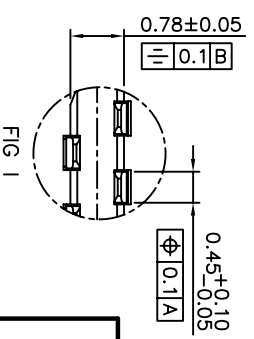
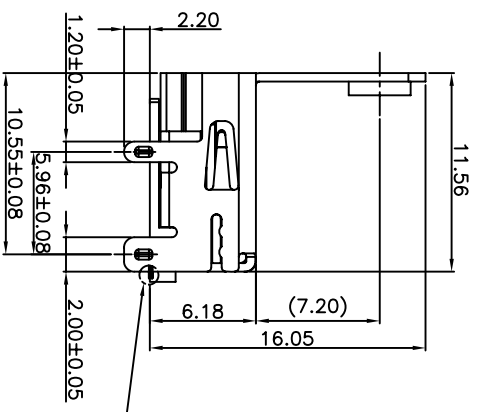
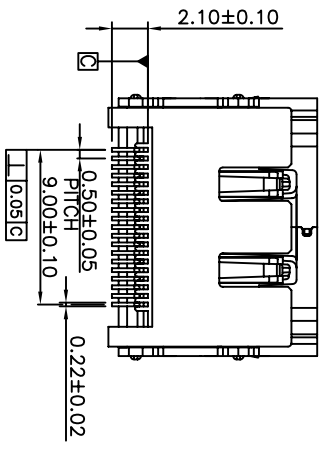
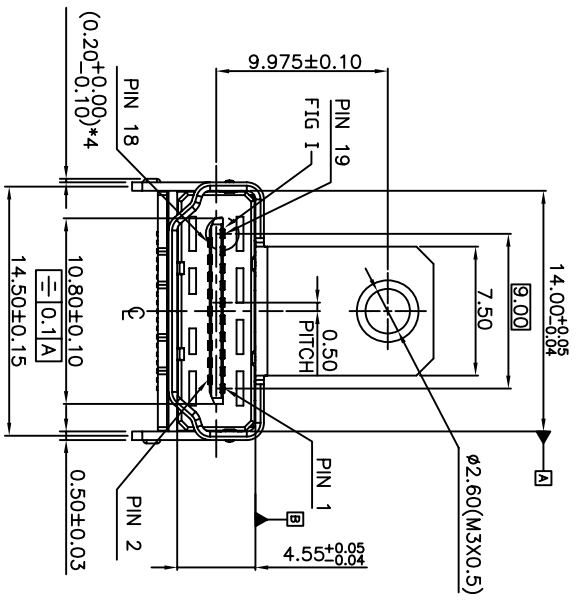
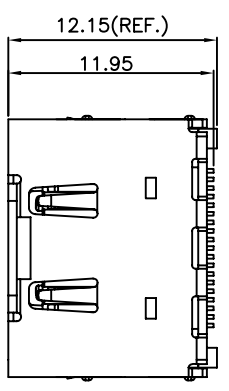


APPROVED: \_\_\_\_\_  
 DATE: \_\_\_\_\_ TITLE: \_\_\_\_\_



**SPECIFICATIONS:**

**Material:**  
 Insulator: Hi Temp thermoplastic, glass reinforced,  
 rated UL 94V-0  
 Insulator color: Black  
 Contacts: Copper Alloy  
 Shell: Steel, Nickel plated

**Plating:**  
 Gold flash over Nickel underplate on Contact area,  
 Tin over Nickel underplate on SMT tails

**Electrical:**  
 Operating voltage: 40 VAC max  
 Current rating: 0.5 Amps max  
 Contact resistance: 30 mohms max  
 Insulation resistance: 10 Mohms min  
 Dielectric withstanding voltage: 500 VAC for 1 minute

**Temperature Rating:**  
 Operating temperature: -20°C to +85°C  
 Environmental:  
 Lead free, RoHS compliant.  
 Recommended soldering temp: 260°C for 5 sec.



UNLESS OTHERWISE SPECIFIED ALL DIMENSIONS ARE INCHES [MM]	
TOLERANCES: EXCEPT AS NOTED	
INCHES	HOLES
.10	±.10
.020	±.015
.015	±.010
XXX	±.010
APPROVALS	
DRAWN	SS
CHECKED	
DATE	10/5/06

APPROVED	
----------	--

**ADAM TECH**  
 909 Rahway Avenue, Union, NJ 07083  
 Phone: 908-687-5000 Fax: 908-687-5710

TITLE: HDMI CONNECTOR, RIGHT ANGLE,  
 SURFACE MOUNT, NO PEG, FLANGE

SIZE: X  
 PART NO.: HDMI-S-RA-SMT-MF  
 SCALE: NTS  
 SHEET 1 OF 2

Rev	AWO #	Description	Date	Appr
-		RELEASED	10/5/06	