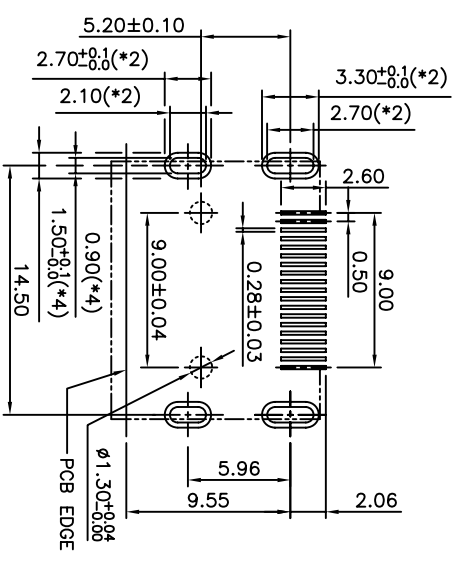
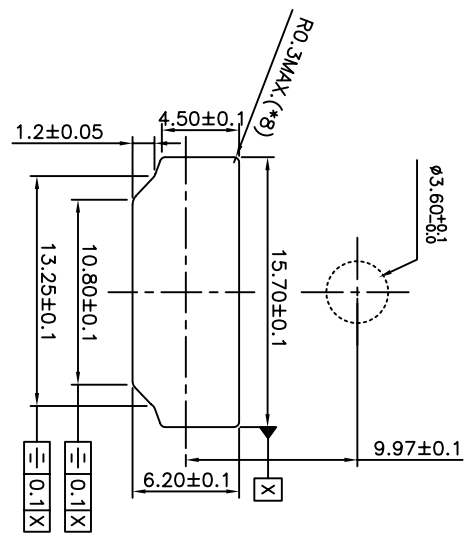


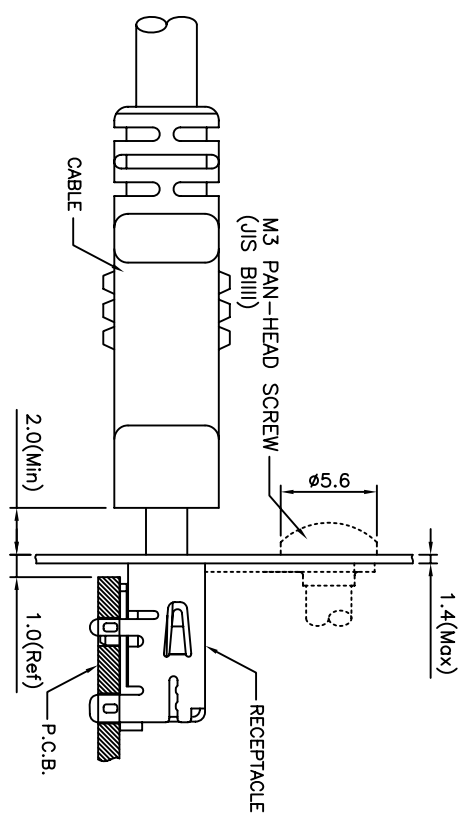
APPROVED: \_\_\_\_\_  
 DATE: \_\_\_\_\_ TITLE: \_\_\_\_\_



RECOMMENDED PCB LAYOUT (THICKNESS=1.6±0.15mm)  
 TOLERANCES: ±0.05mm



REFERENCE PANEL CUT OUT DIMENSION



REFERENCE MOUNT DIMENSION

| Rev | AWO # | Description                 | Date | Appr |
|-----|-------|-----------------------------|------|------|
|     |       | SEE SHT 1 OF 2 FOR REVISION |      |      |

|  |             |
|--|-------------|
| UNLESS OTHERWISE SPECIFIED<br>ALL DIMENSIONS ARE INCHES [MM]<br>TOLERANCES: EXCEPT AS NOTED<br>INCHES [MM] |             |
| X ±.10   | ØX ±.10     |
| .XX ±.020  | ØXXX ±.015  |
| .XXX ±.015   | ØXXXX ±.010 |
| APPROVALS  |             |
| DRAWN  | DATE        |
| SS   | 10/5/06     |
| CHECKED  |             |
| APPROVED   |             |

|                                       |                  |   |        |
|---------------------------------------|------------------|---|--------|
| TITLE                                 |                  | HDMI CONNECTOR, RIGHT ANGLE,<br>SURFACE MOUNT, NO PEG, FLANGE |        |
| 909 Rahway Avenue, Union, NJ 07083    |                  | ADAM TECH   |        |
| Phone: 908-687-5000 Fax: 908-687-5710 |                  |   |        |
| SIZE                                  | PART NO.         | REV.  |        |
| X                                     | HDMI-S-RA-SMT-MF |   |        |
| REF:                                  | SCALE: NTS       | SHEET   | 2 OF 2 |