

**(MIL Qualified)**

**Material and Finish**

**Shell** — Steel, cadmium plated

**Insert** — Approved material per MIL-DTL-24308

**Retention Clips** — Stainless steel or copper alloy

**(Industrial Grade)**

**Material and Finish**

**Shell** — Steel, zinc plated

**Insert** — Polyphenylene Sulfide (PPS)

**Retention Clips** — Stainless steel or copper alloy

**Related Product Data**

**Cavity Identification** — page 5127

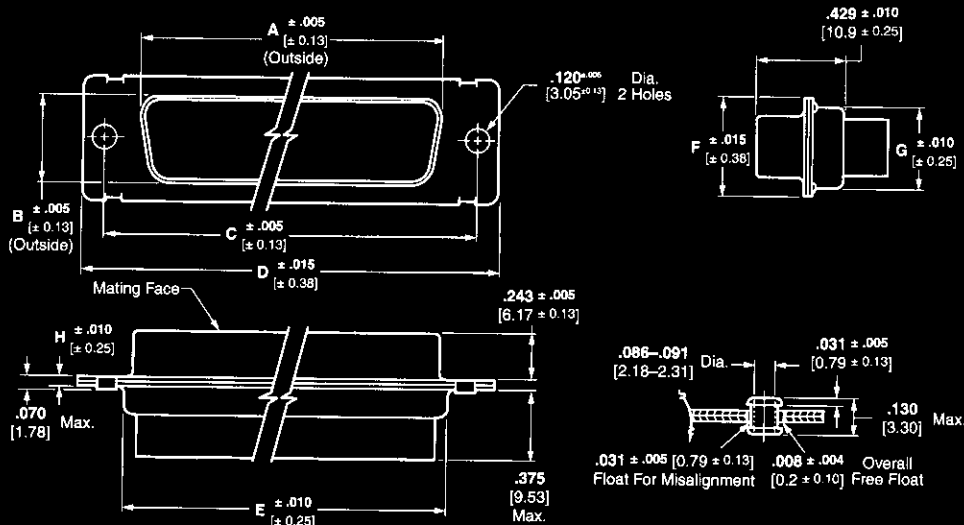
**Contacts** — pages 5128, 5129

**Mounting, Mating Dimensions** — page 5143

**Accessories** — pages 5148-5150

**Attention: Connector marking**

Connector marking may differ from package marking. All connectors marked per MIL-DTL-24308.



**Floating Bushing Dual Mount**

**Clinch Nut Mount**

Pin and Socket Connectors

No. of Contact Pos. (Shell Size)	Dimensions								MIL Qualified				Description	Industrial Grade <sup>3</sup> Clinch Nut Mount Part No.
	A	B	C	D	E	F	G	H	Standard Mount		Floating Bushing Mount			
	Military Part No. <sup>2</sup> M24308/	AMP Part No.	Military Part No. M24308/	AMP Part No.	Military Part No. M24308/	AMP Part No.	Military Part No. M24308/	AMP Part No.	Military Part No. M24308/	AMP Part No.	Military Part No. M24308/	AMP Part No.		
15 (1)	.643 16.33	.311 7.9	.984 24.99	1.213 30.81	.759 19.28	.494 12.55	.422 10.72	.030 0.76	2-286F	204500-1	2-297F	204524-1	Recept. only	1218747-1
26 (2)	.971 24.66	.311 7.9	1.312 33.32	1.541 39.14	1.083 27.51	.494 12.55	.422 10.72	.030 0.76	2-287F	204502-1	2-298F	204526-1	Recept. only	1218747-2
44 (3)	1.511 38.38	.311 7.9	1.852 47.04	2.088 53.04	1.625 41.3	.494 12.55	.422 10.72	.039 0.99	2-288F	204504-1	2-299F	204528-1	Recept. only	1218747-3
62 (4)	2.159 54.84	.311 8.36	2.500 63.5	2.729 69.32	2.272 57.7	.494 12.55	.422 10.72	.039 0.99	2-289F	204506-1	2-300F	204530-1	Recept. only	1218747-4
78 (5)	2.064 52.43	.423 10.74	2.406 61.11	2.635 66.93	2.178 55.32	.605 15.37	.534 13.56	.039 0.99	2-290F	204508-1	2-301F	204532-1	Recept. only	1218747-5
104 (6)	2.189 55.6	.485 12.32	2.500 63.5	2.729 69.32	2.302 58.47	.668 16.97	.596 15.14	.039 0.99	2-291F	204510-1	2-302F	204534-1	Recept. only	1218747-6
									2-16F	204522-2	2-33F	204546-2	Recept. with sockets <sup>1</sup>	—

**Notes:** See pages 5151 through 5155 (military to AMP Part Number cross reference) for additional part numbers.

<sup>1</sup> Size 22 sockets supplied with receptacles are loose piece.

<sup>2</sup> "F" is stamped on connectors following M24308 part number as required. "F" designates cadmium shell plating.

<sup>3</sup> Meets requirements of MIL-DTL-24308.