

**CHAMP .050 Series I Blindmate,  
Single Connector Attachment (SCA-2) for Fibre Channel** (Continued)

CHAMP .050 Centerline  
Connector Systems

**40-Position Receptacle  
Assembly, Extended  
Height, Vertical Mount  
Part Number 787597-1  
Contact Tail 4.57mm length**

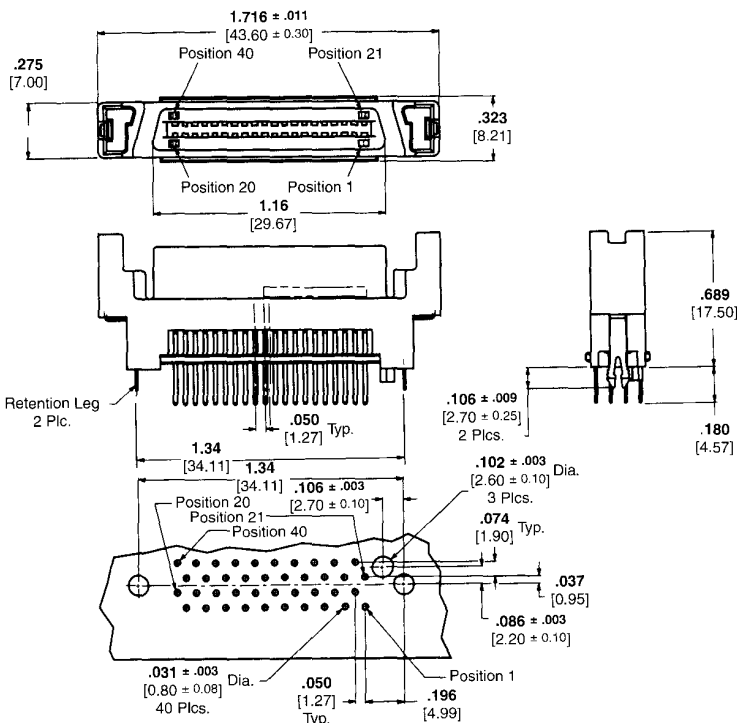


**Material and Finish**

**Housing** — Thermoplastic, 94V-0 rated, black

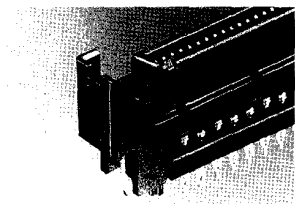
**Contacts** — Phosphor bronze, plated .000030 [0.00076] min. gold on mating end, .000150 [0.00381] min. tin-lead on solder end, both over .000050 [0.00127] min. nickel underplating

**Retention Leg** — Brass, plated .000150 [0.00381] min. tin-lead over .000050 [0.00127] min. nickel



**Recommended Printed Circuit Board  
Mounting Dimensions – Component Side**

**40-Position Receptacle  
Assembly, Extended  
Height, Vertical Mount,  
Press-Fit  
Part Number 788389-1  
Contact Tail 3.43mm length**

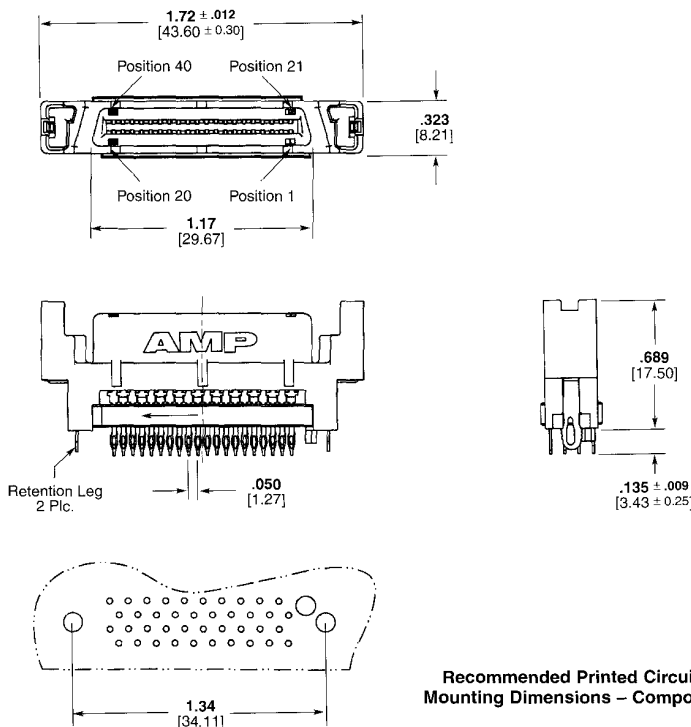


**Material and Finish**

**Housing** — Thermoplastic, 94V-0 rated, black

**Contacts** — Phosphor bronze, plated .000030 [0.00076] min. gold on mating end, .000150 [0.00381] min. tin-lead on solder end, both over .000050 [0.00127] min. nickel underplating

**Retention Leg** — Brass, plated .000150 [0.00381] min. tin-lead over .000050 [0.00127] min. nickel



**Recommended Printed Circuit Board  
Mounting Dimensions – Component Side**