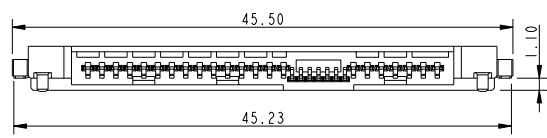
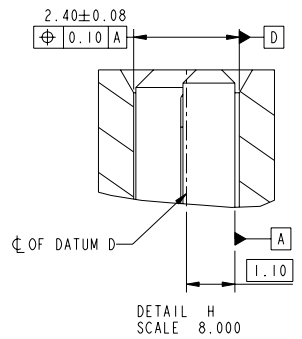
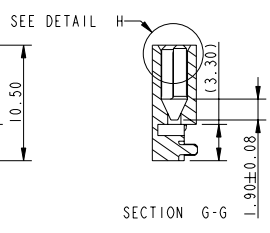
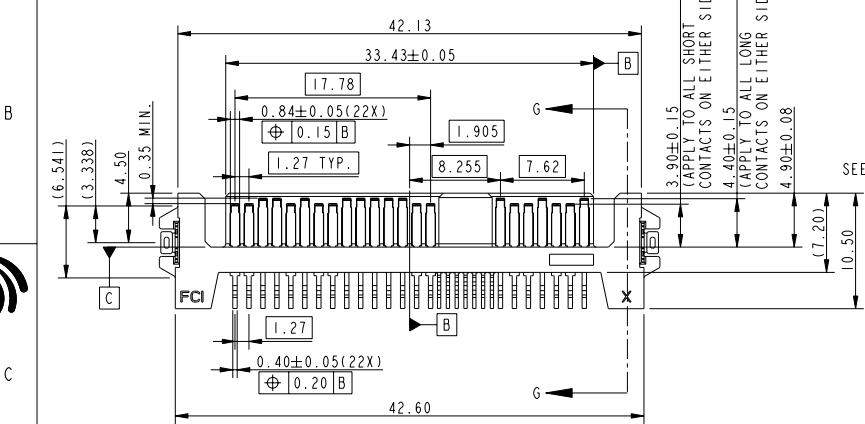
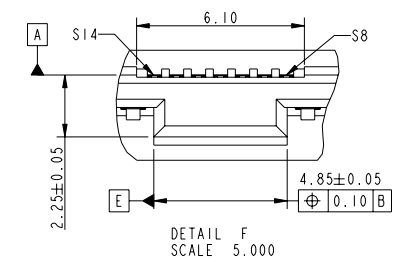
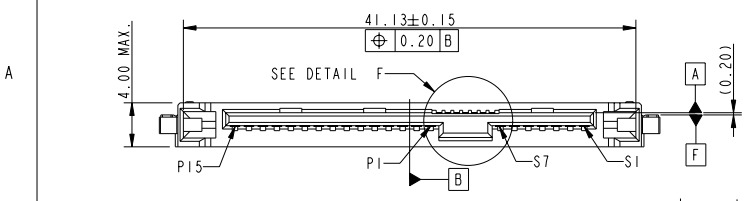


PRODUCT NO.
10098678-001LF



rev	ecn no	dr	date
A	S09-0202	HKL	2009-06-15
B	S09-0334	HKL	2009-11-13
C	S10-0014	HKL	2010-01-18

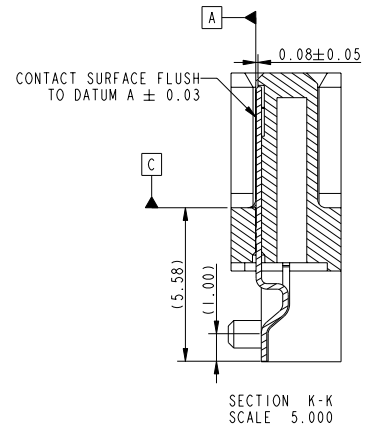
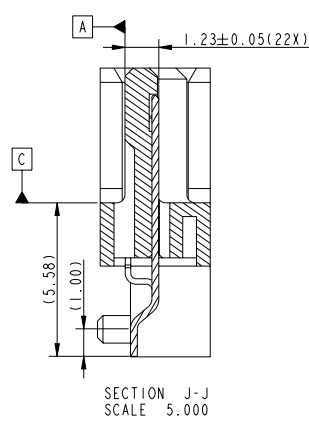
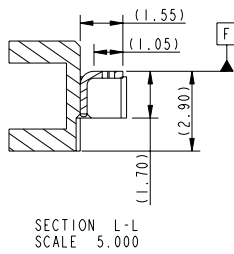
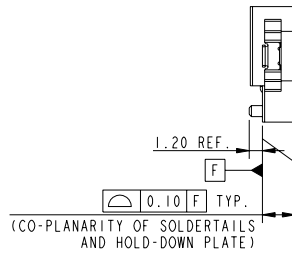
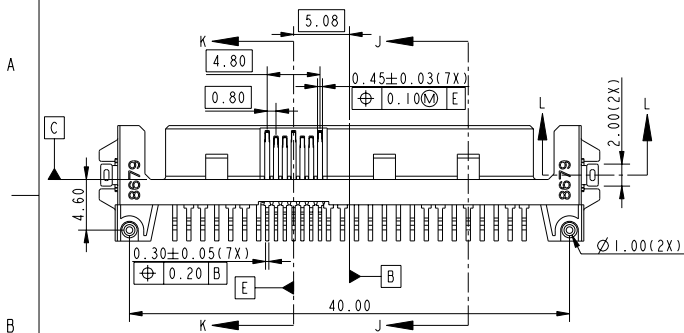
www.fciconnect.com		surface	tolerance std	projection	MM
		✓	ASME Y14.5	⊕	←
		TOLERANCES UNLESS OTHERWISE SPECIFIED			
Dr	HK LIM	2009-03-10	ANGULAR	0.x	±
Eng	HK LIM	2010-01-18	LINEAR	0.xx	±0.20
Chr	HK LIM	2010-01-18	0° ±2°	0.xxx	±
Appr	JOEY NG	2010-01-18	Product family	-	Spec ref
FCI		TITLE		drwg no	Rev.
		SAS PLUG R/A		10098678	C
		TYPE ASSY		CUSTOMER	sheet 1 of 3
		catalog no			

Copyright FCI.

REV E - 2004-03-28

PDM: Rev:C STATUS:Released 4 Printed: Dec 01, 2010

PRODUCT NO.
SEE TABLE




	TITLE SAS PLUG R/A TYPE ASSY	DRG NO 10098678	Rev. C
	catalog no	CUSTOMER	sheet 2 of 3

REV E - 2004-03-28

PDM: Rev:C

STATUS:Released 4 Printed: Dec 01, 2010

Copyright FCJ.

PRODUCT NO.	PACKAGING
10098678-001LF	TRAY
10098678-001TRLF	TAPE & REEL 


A

B

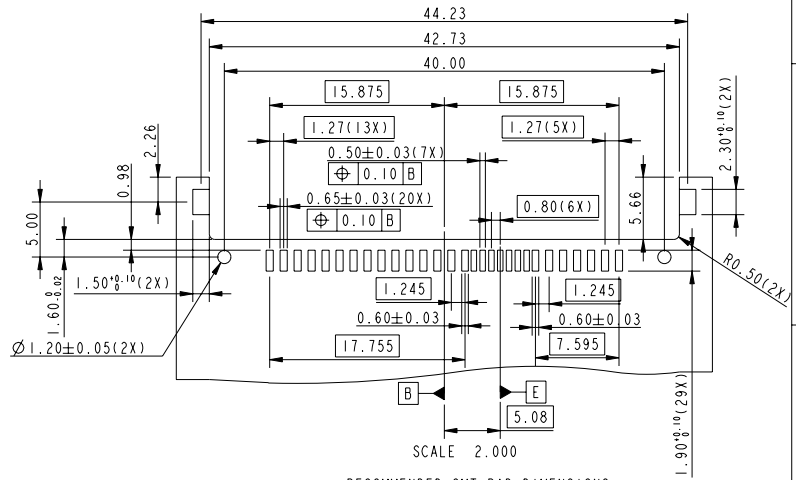
C


D

NOTES:

- MATERIAL:
HOUSING: HIGH TEMPERATURE THERMOPLASTIC, BLACK, UL94V-0
CONTACT & HOLD DOWN: COPPER ALLOY
- FINISH:
CONTACT: 1.27um MIN. Ni UNDERPLATE OVERALL,
1.91um MIN. 100% MATTE Sn(LEAD-FREE) ON SOLDER TAIL,
0.38um MIN. Au ON CONTACT AREA
HOLD DOWN: 1.91um MIN. 100% MATTE Sn(LEAD-FREE) OVER
1.27um MIN. Ni UNDERPLATE OVERALL
- RECOMMENDED PCB THICKNESS: 1.40mm
- THIS PRODUCT MEETS EUROPEAN UNION DIRECTIVES AND OTHER
COUNTRY REGULATIONS AS DESCRIBED IN GS-22-008
- THE HOUSING WILL WITHSTAND EXPOSURE TO 260°C PEAK TEMPERATURE
FOR 10 SECONDS IN A CONVECTION, INFRA-RED OR VAPOR PHASE
REFLOW OVEN
- THIS CONNECTOR IS COMPLY WITH SFF-8482 SPECIFICATION
- THIS CONNECTOR IS COMPLY WITH CUSTOMER GENERAL
SPECIFICATION FOR THE ENVIRONMENT(GSE)
- THE PLATING OF THIS CONNECTOR IS COMPLY WITH CUSTOMER TESTING
AND PLATING SPECIFICATION EL-MF864-00
- A SYMBOL  WILL BE NEXT TO ANY DIMENSION, VIEW, OR NOTE WHICH
HAS BEEN MODIFIED WITH THE CURRENT DRAWING REVISION

REV E - 2004-03-28



	TITLE	SAS PLUG R/A	DRG NO	10098678	REV.	C
	TYPE ASSY					
CATALOG NO			CUSTOMER	sheet 3 of 3		

PDM: Rev:C

STATUS:Released ⁴Printed: Dec 01, 2010