

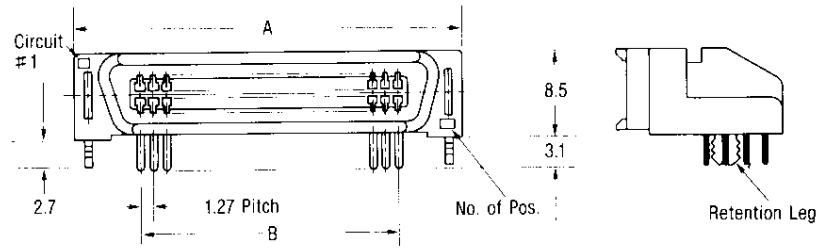
# Board to Board Connectors FH (Free Height) 1.27mm Pitch Connectors/Solder Type Plug Assembly (Horizontal Mount Type)

## Material and Finish :

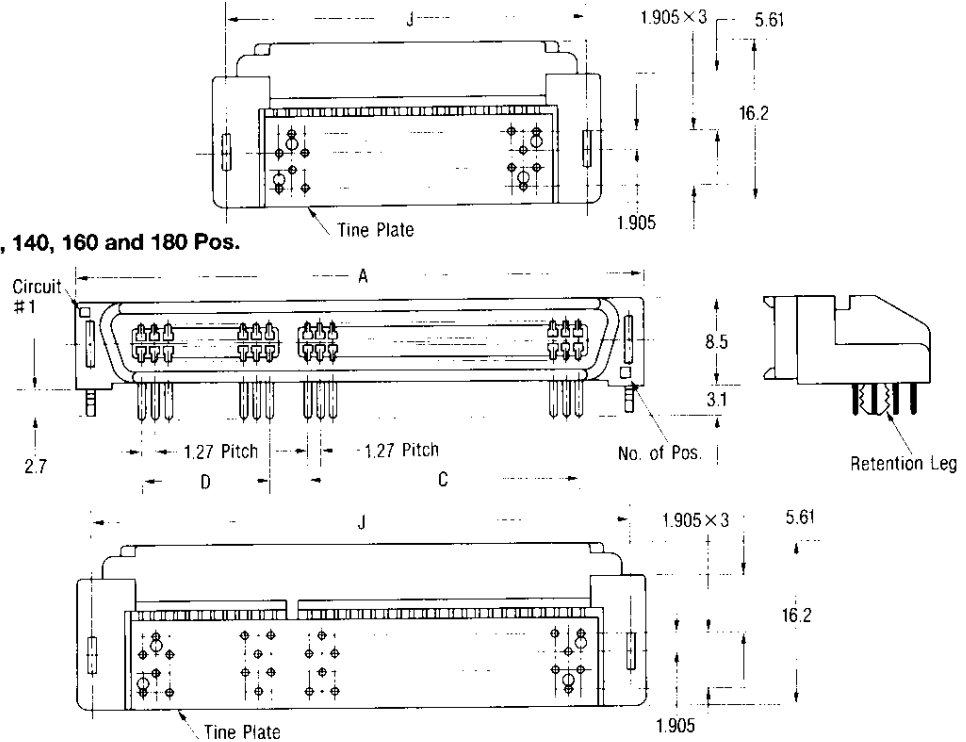
Housing—UL94V-0 rated, glass-filled thermoplastic, black

Contact—Phosphor bronze, 0.3µm min. gold on contact area, 1.0µm min. tin-lead plated or tin plated on leg area over 1.3µm min. nickel under-plated.

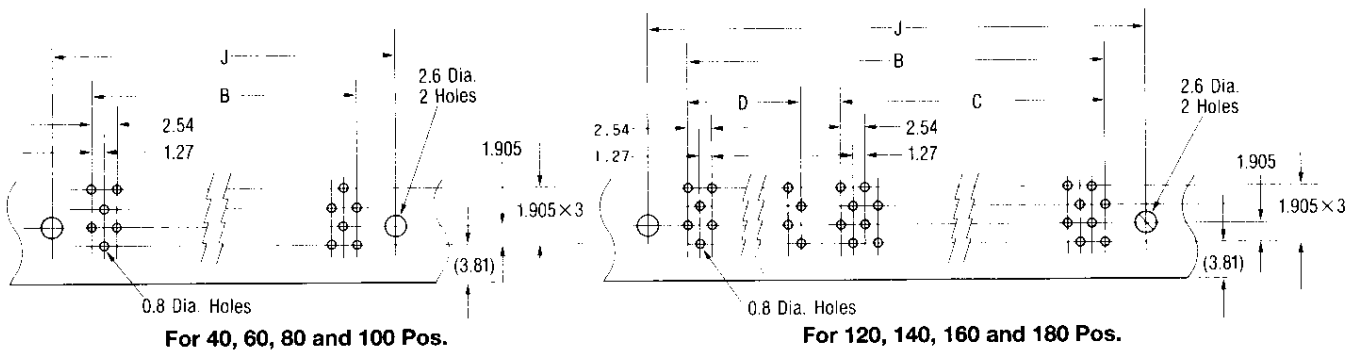
40, 60, 80 and 100 Pos.



120, 140, 160 and 180 Pos.



## PC Board Layout



No. of Pos.	Dimensions					Part Number
	A	B	C	D	J	
40	36.8	24.13	—	—	34.10	176381-1
60	49.5	36.83	—	—	46.80	176381-2
80	62.2	49.53	—	—	59.50	176381-3
100	74.9	62.23	—	—	72.20	176381-4
120	90.1	77.47	49.53	24.13	87.44	176381-5
140	102.8	90.17	49.53	36.83	100.14	176381-6
160	115.5	102.87	62.23	36.83	112.64	176381-7
180	128.2	115.57	62.23	49.53	125.54	176381-8