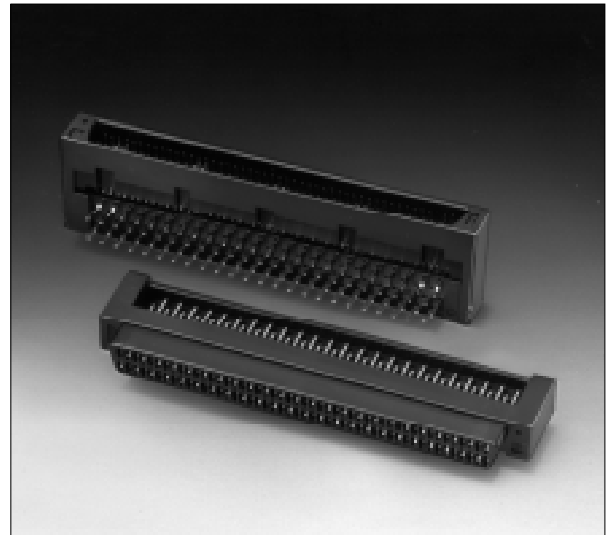


FOR BOARD-TO-BOARD CONNECTION

230 SERIES

■ FEATURES

- 1.27 mm (0.050 in.) pitch contact arrangement in two rows enables high-density mounting.
- Connectors with 34 to 96 contacts are available for various purposes.
- Connectors with 68 contacts comply with SCSI III interface.
- Connectors with 96 contacts comply with S-bus interface.
- Each of the contacts on the female connector are alternately inset for two-step coupling, significantly reducing insertion force.
- Terminals are spaced in a four-row staggered arrangement (2.54 mm × 1.905 mm) (0.100 in. × 0.075 in.) for easy PC board design.
- Insulation is UL-approved (94V-0).



■ SPECIFICATIONS

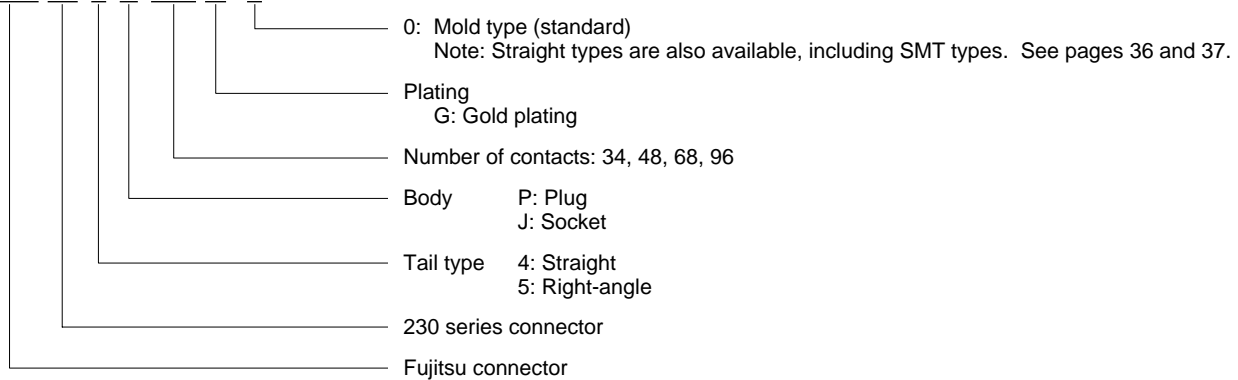
| Item | Specifications | | | | |
|--------------------------------|----------------------------|------|------|------|------|
| Operating temperature range | -55°C to +105°C | | | | |
| Current rating | DC 1A | | | | |
| Voltage rating | AC 240 V | | | | |
| Contact resistance | 30 mΩ max. (DC 6 V, 0.1 A) | | | | |
| Insulation resistance | 1000 MΩ min. (DC 500 V) | | | | |
| Dielectric withstand voltage | AC 750 V for 1 minute | | | | |
| Insertion force [kg max.] | Number of contacts | 34 | 48 | 68 | 96 |
| | Force | 3.0 | 4.0 | 5.5 | 7.0 |
| Withdrawal force [kg min.] | Number of contacts | 34 | 48 | 68 | 96 |
| | Force | 0.68 | 0.96 | 1.36 | 1.92 |
| Applicable PC board (standard) | 1.6 mm (0.063 in.) | | | | |

■ MATERIALS

| Item | Materials | |
|-----------|---------------------|-------------------|
| Insulator | Polyester (UL94V-0) | |
| Conductor | Copper alloy | |
| Plating | Contact | Gold plating |
| | Terminal | Palladium plating |

ORDERING CODE

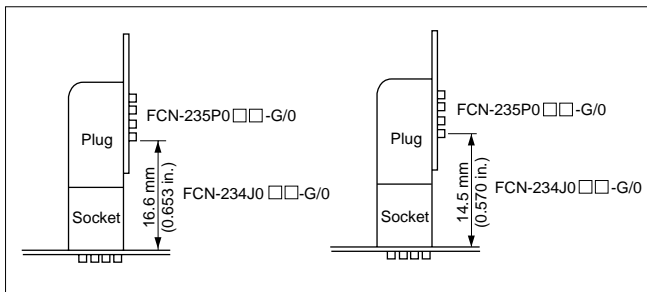
FCN-23 4 P 068-G / 0



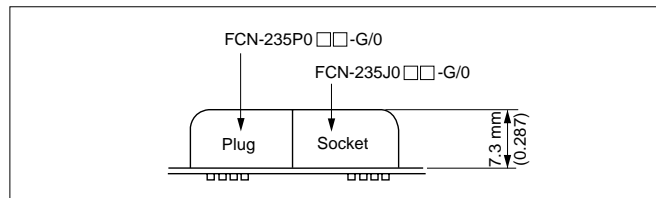
APPLICATIONS

Board-to-board connection

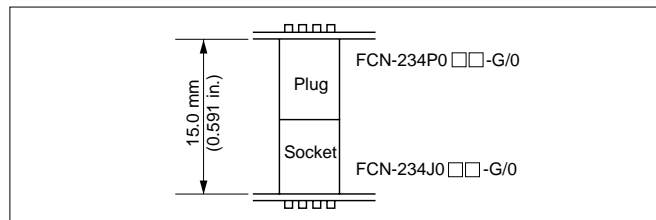
Vertical PCB connection



Horizontal PCB connection



Parallel PCB connection



Parallel board connection (for a connector with 96 contacts)

| Board interval (mm (in.)) | | 15.0 | 18.75 | 39.10 |
|---------------------------|--------|-----------------|---------------------------------------------------------|--------------------------------------------------------|
| Mounting dimension | | | | |
| Part number | Plug | FCN-234P0XX-G/0 | FCN-234P096-G/0 FCN-234P096-G/Y FCN-234P096-G/ZA | FCN-234P096-G/0 FCN-234P096-G/Y FCN-234P096-G/ZA |
| | Socket | FCN-234J0XX-G/0 | FCN-234J096-G/UA FCN-234J096-G/VA FCN-234J096-G/Y | FCN-234J096-G/U1 |

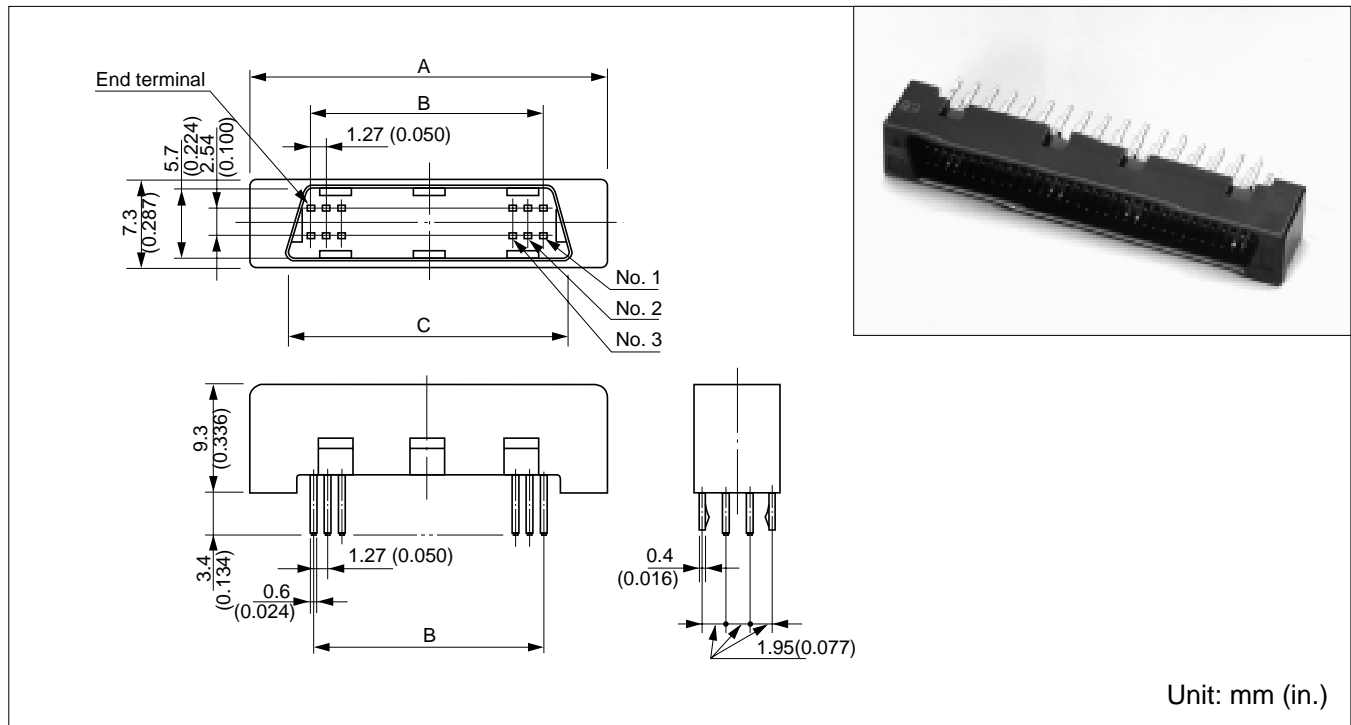
Specifications subject to change

Dimensions are in millimeters (inches)

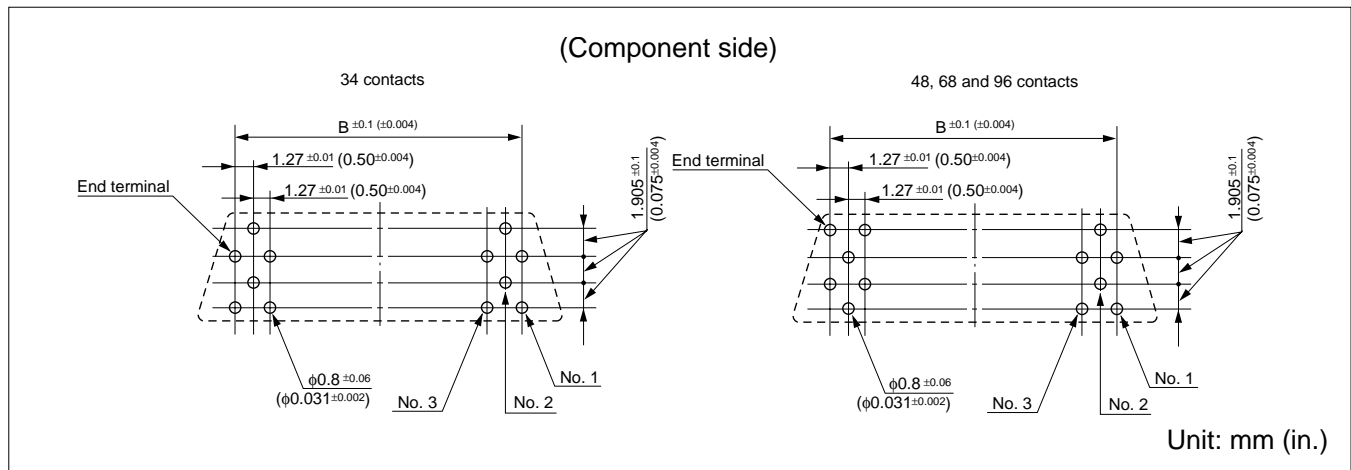
www.fc.ai.fujitsu.com

STRAIGHT PLUG

■ DIMENSIONS



■ MOUNTING HOLE LAYOUT

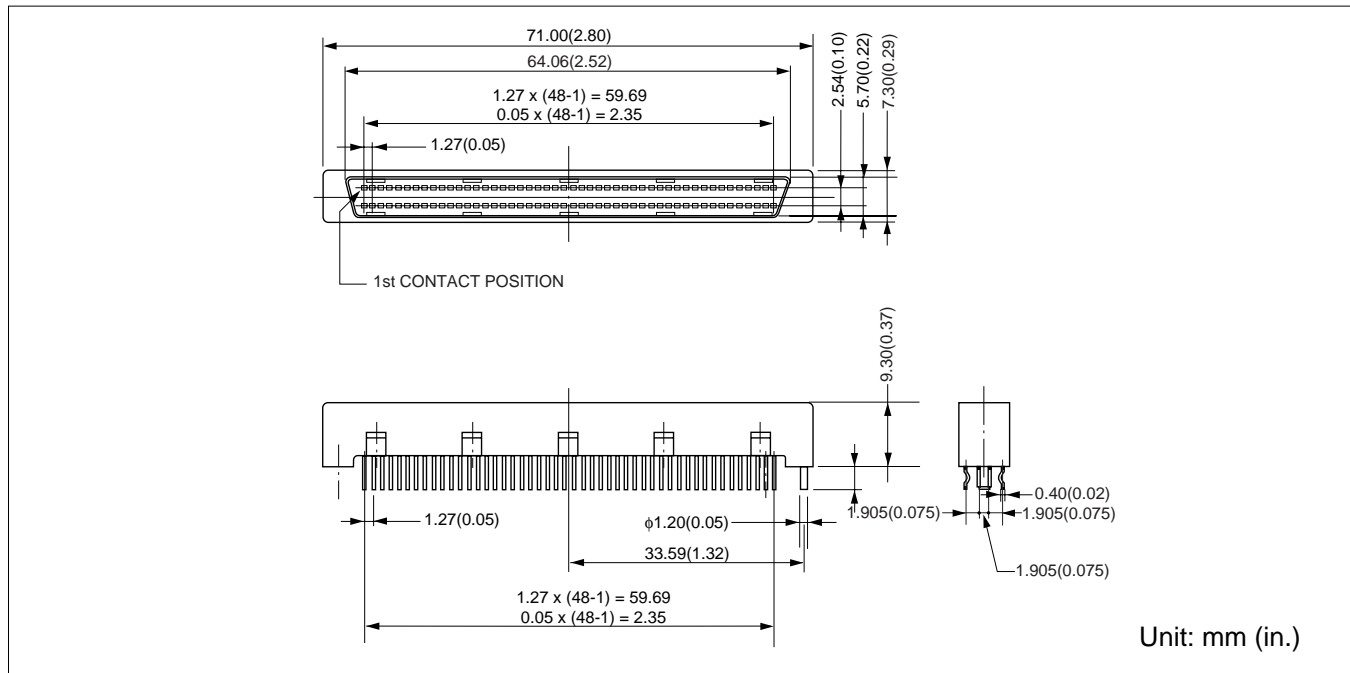


■ PART NUMBERS AND DIMENSIONS

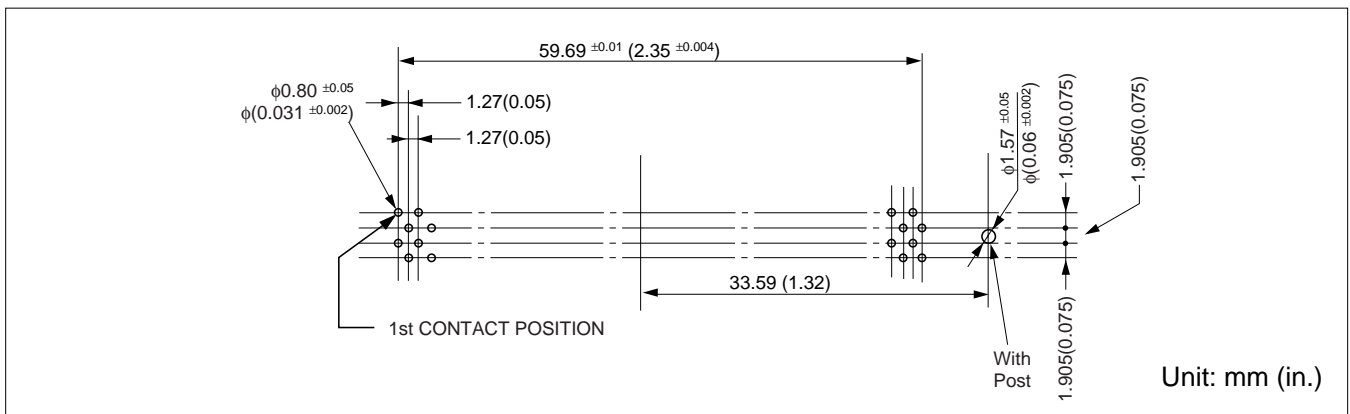
| Number of contacts | Part number | Dimensions: mm (in.) | | |
|--------------------|-----------------|----------------------|---------------|---------------|
| | | A | B | C |
| 34 | FCN-234P034-G/0 | 31.63 (1.245) | 20.32 (0.800) | 24.69 (0.800) |
| 48 | FCN-234P048-G/0 | 40.52 (1.595) | 29.21 (1.150) | 33.58 (1.322) |
| 68 | FCN-234P068-G/0 | 53.22 (2.095) | 41.91 (1.650) | 46.28 (1.822) |
| 96 | FCN-234P096-G/0 | 71.00 (2.795) | 59.69 (2.350) | 64.06 (2.522) |

FCN-234P096-G/* STRAIGHT PLUG — S-BUS

■ DIMENSIONS



■ MOUNTING HOLE LAYOUT

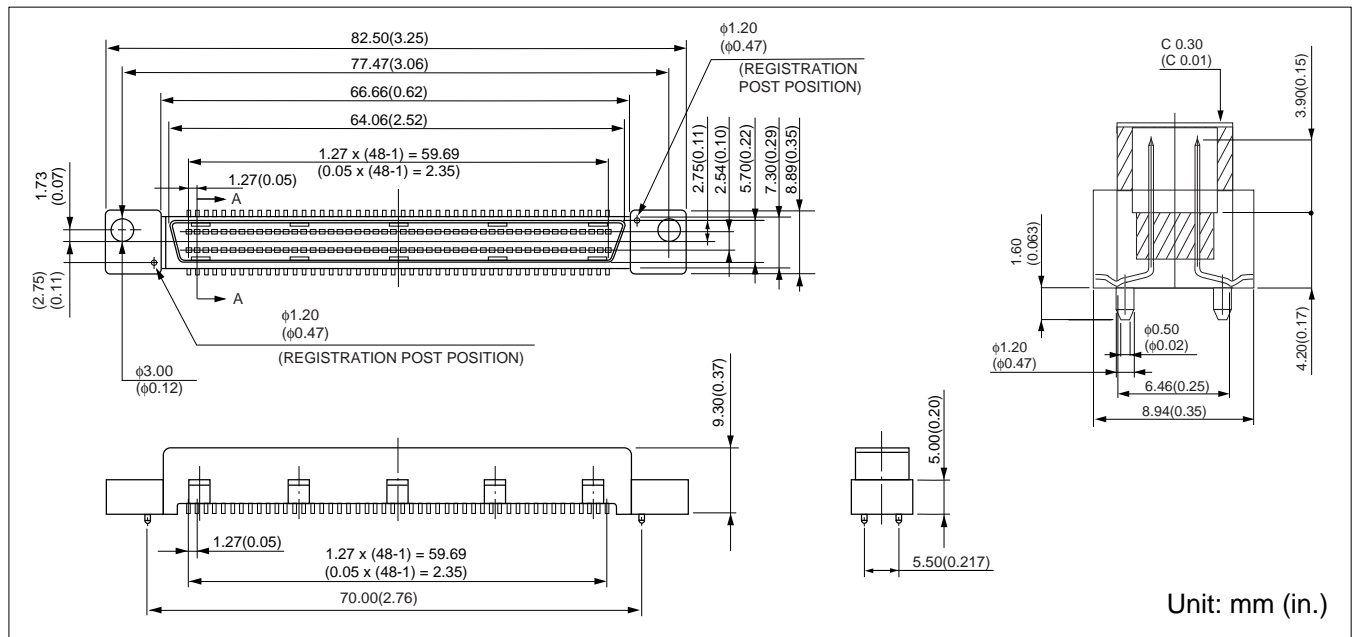


■ PART NUMBERS AND DIMENSIONS

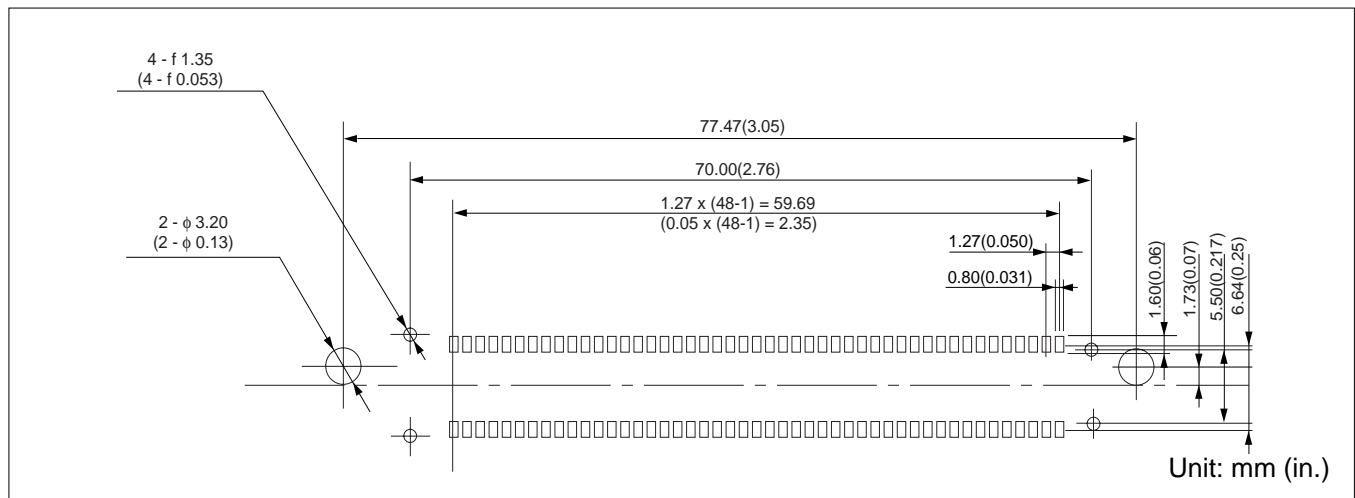
| | A Polarization Post | B Lead Length |
|------------------|------------------------|------------------|
| FCN-234P096-G/0 | 0 | 3.4(0.13) |
| FCN-234P096-G/XA | 3.4(0.13) | 2.8(0.11) |
| FCN-234P096-G/Y | 4.0(0.16) | 3.4(0.13) |

FCN-234P096-G/ZA SMT PLUG

■ DIMENSIONS



■ PCB PATTERN LAYOUT

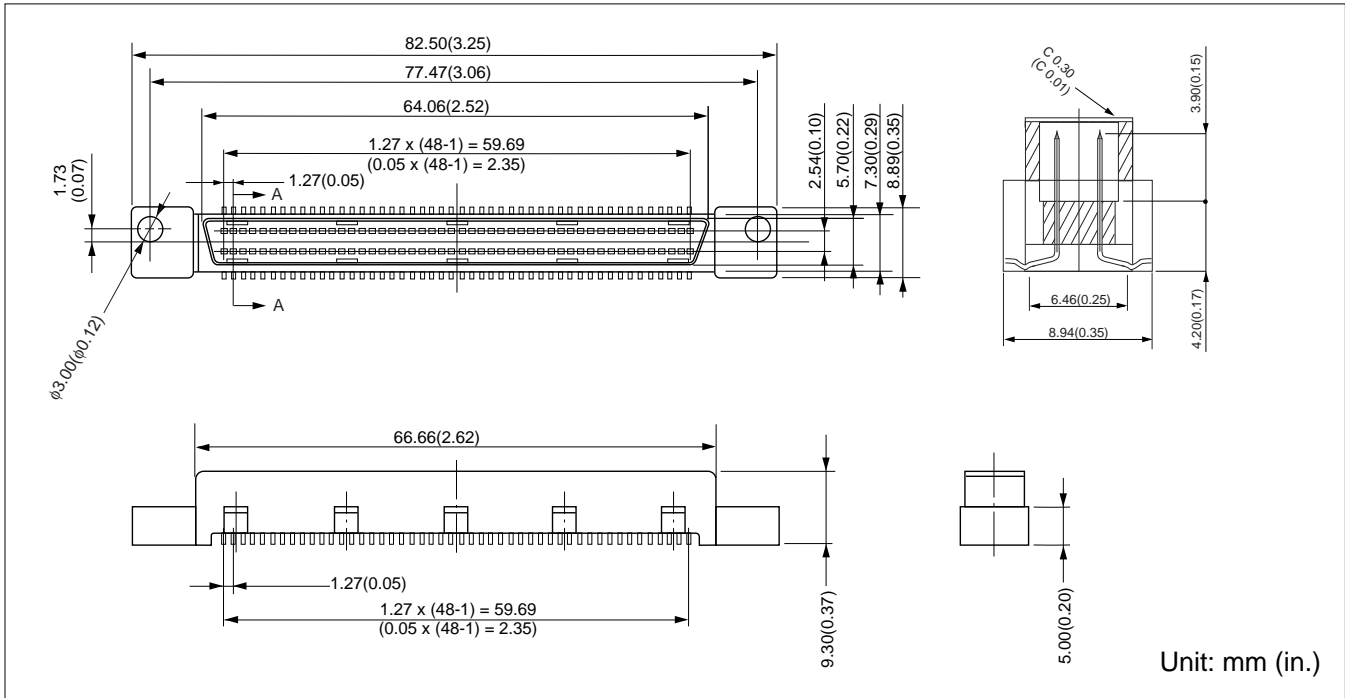


■ PART NUMBER

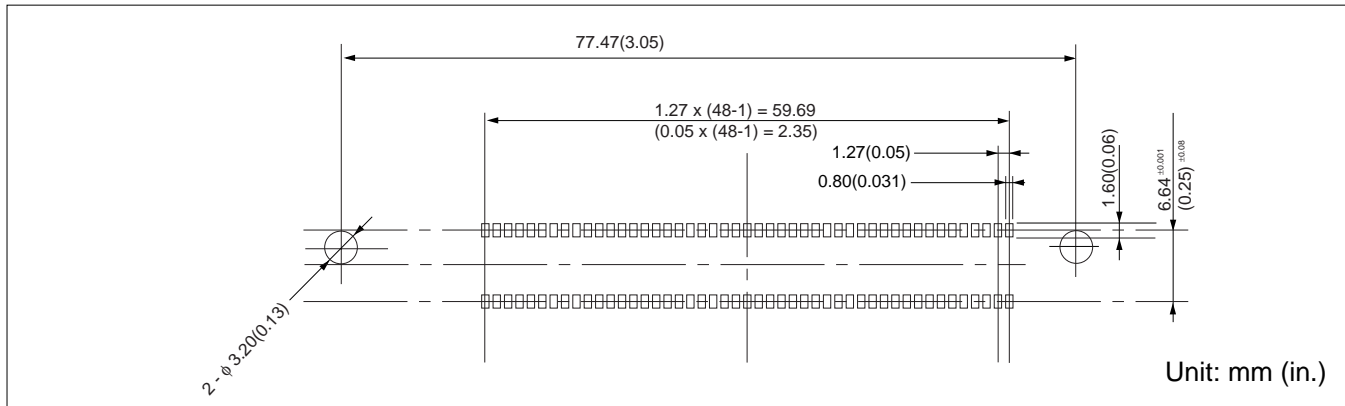
| No. of Contacts | Part Number |
|-----------------|------------------|
| 96 | FCN-234P096-G/ZA |

FCN-234P096-G/Z SMT PLUG

■ DIMENSIONS



■ PCB PATTERN PATTERN LAYOUT

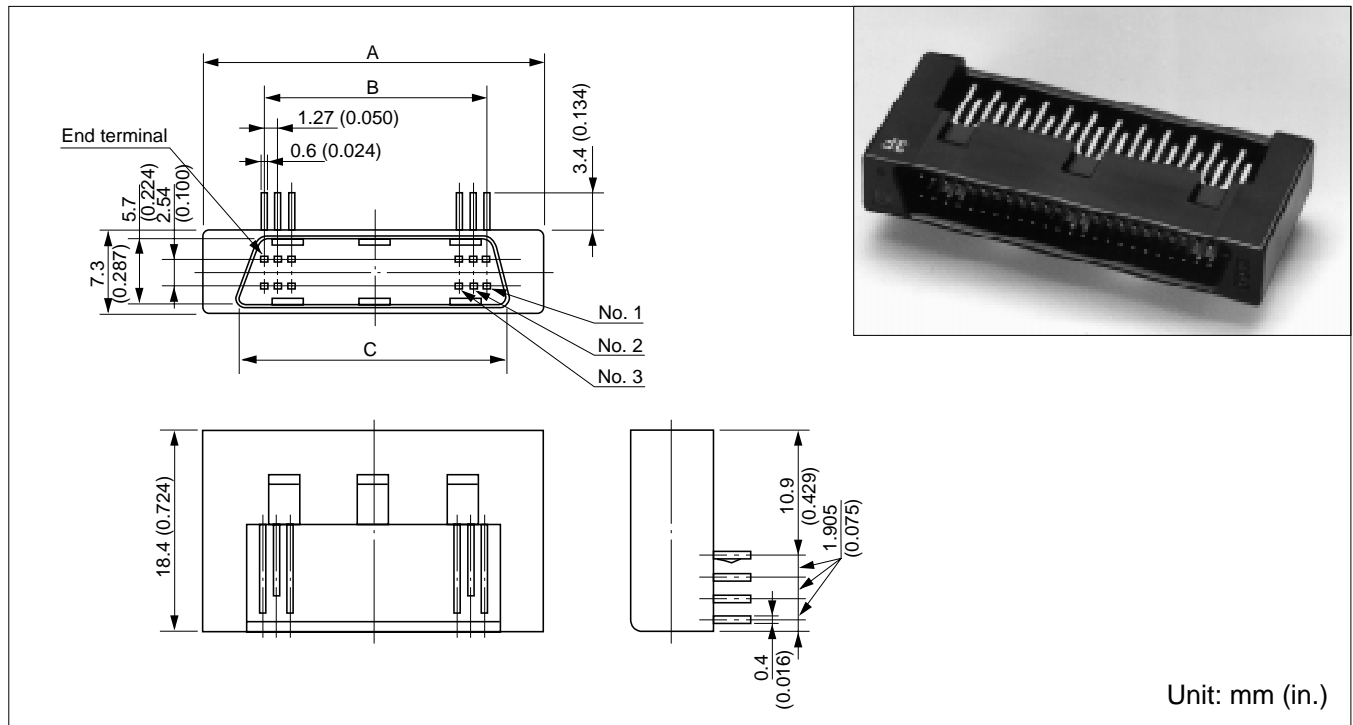


■ PART NUMBER

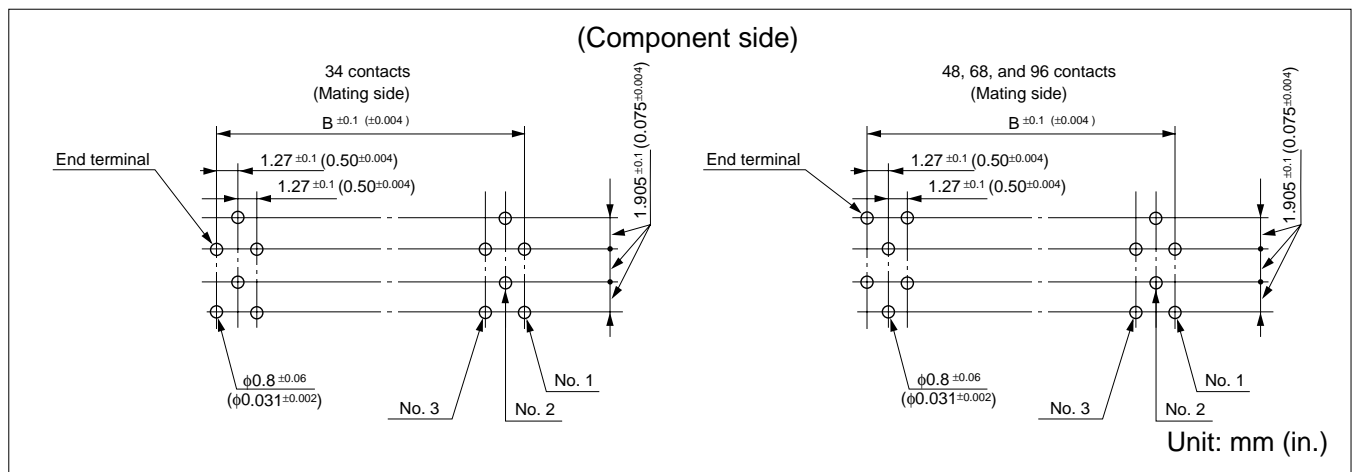
| No. of Contacts | Part Number |
|-----------------|-----------------|
| 96 | FCN-234P096-G/Z |

RIGHT-ANGLE PLUG

■ DIMENSIONS



■ MOUNTING HOLE LAYOUT

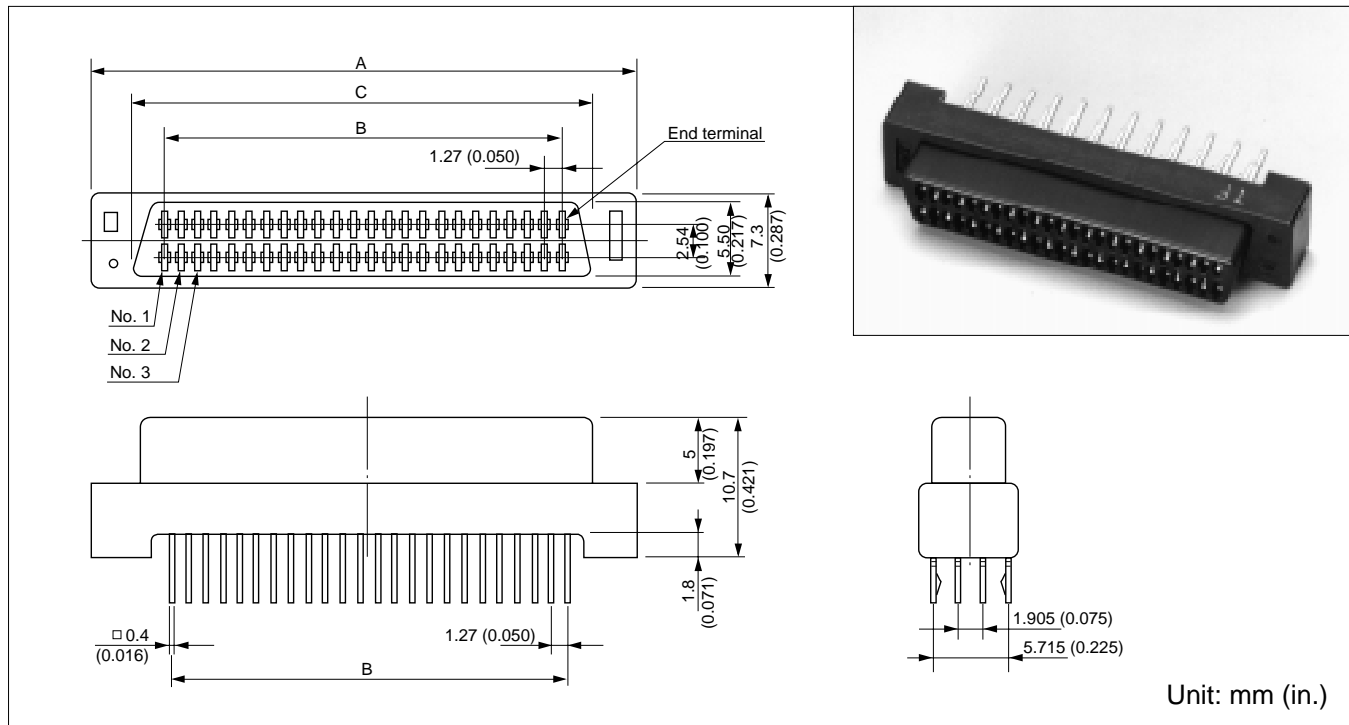


■ PART NUMBERS AND DIMENSIONS

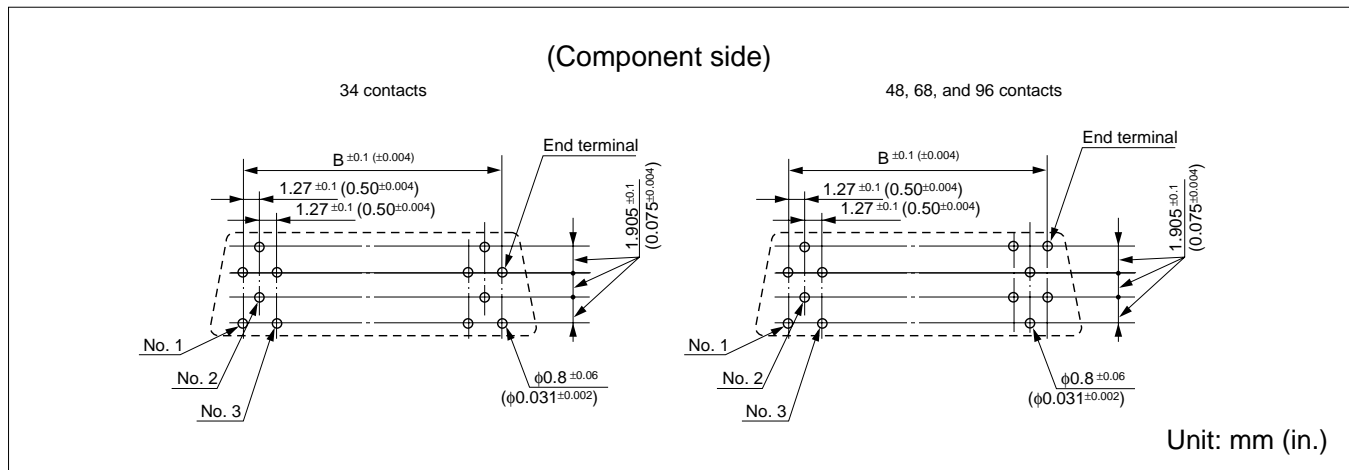
| Number of contacts | Part number | Dimensions: mm (in.) | | |
|--------------------|-----------------|----------------------|---------------|---------------|
| | | A | B | C |
| 34 | FCN-235P034-G/0 | 31.63 (1.245) | 20.32 (0.800) | 24.69 (0.800) |
| 48 | FCN-235P048-G/0 | 40.52 (1.595) | 29.21 (1.150) | 33.58 (1.322) |
| 68 | FCN-235P068-G/0 | 53.22 (2.095) | 41.91 (1.650) | 46.28 (1.822) |
| 96 | FCN-235P096-G/0 | 71.00 (2.795) | 59.69 (2.350) | 64.06 (2.522) |

STRAIGHT SOCKET

■ DIMENSIONS



■ MOUNTING HOLE LAYOUT

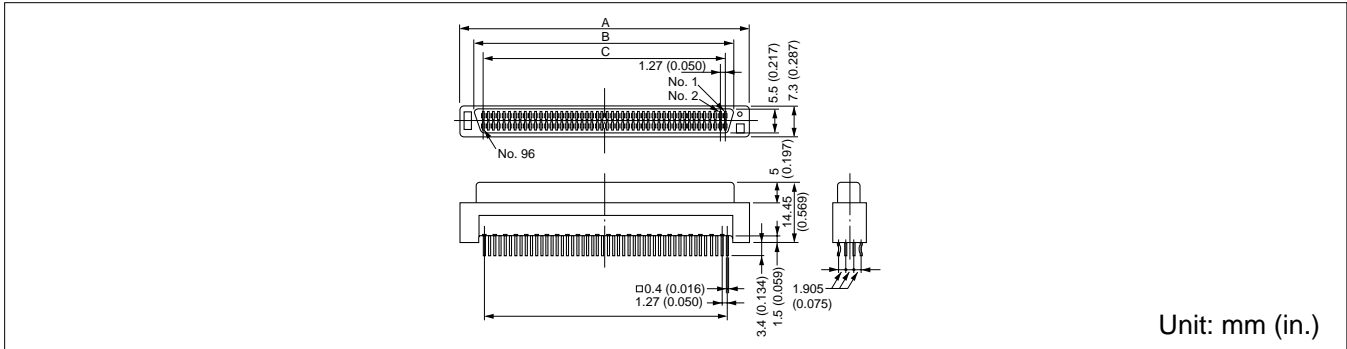


■ PART NUMBERS AND DIMENSIONS

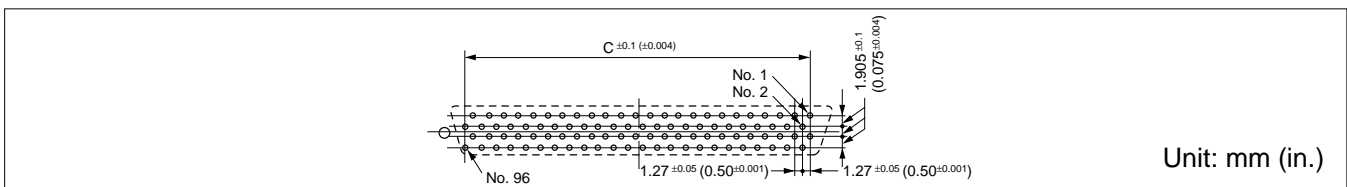
| Number of contacts | Part number | Dimensions: mm (in.) | | |
|--------------------|-----------------|----------------------|---------------|---------------|
| | | A | B | C |
| 34 | FCN-234J034-G/0 | 31.63 (1.245) | 20.32 (0.800) | 24.69 (0.800) |
| 48 | FCN-234J048-G/0 | 40.52 (1.595) | 29.21 (1.150) | 33.38 (1.314) |
| 68 | FCN-234J068-G/0 | 53.22 (2.095) | 41.91 (1.650) | 46.08 (1.814) |
| 96 | FCN-234J096-G/0 | 71.00 (2.795) | 59.69 (2.350) | 63.86 (2.514) |

STRAIGHT SOCKET (RAISED MOUNTING TYPE) - STACK HEIGHT 18.75mm

■ DIMENSIONS



■ MOUNTING HOLE LAYOUT

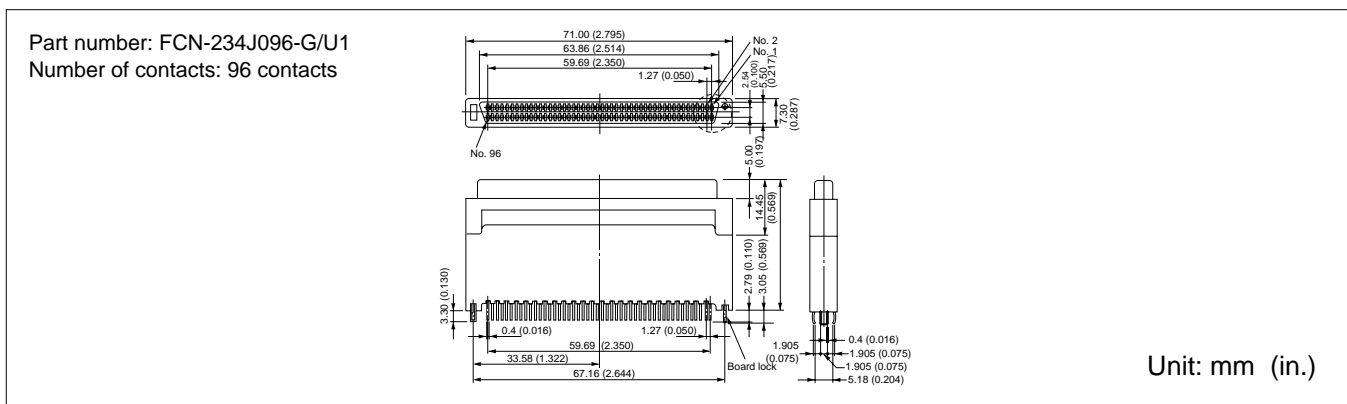


■ PART NUMBERS AND DIMENSIONS

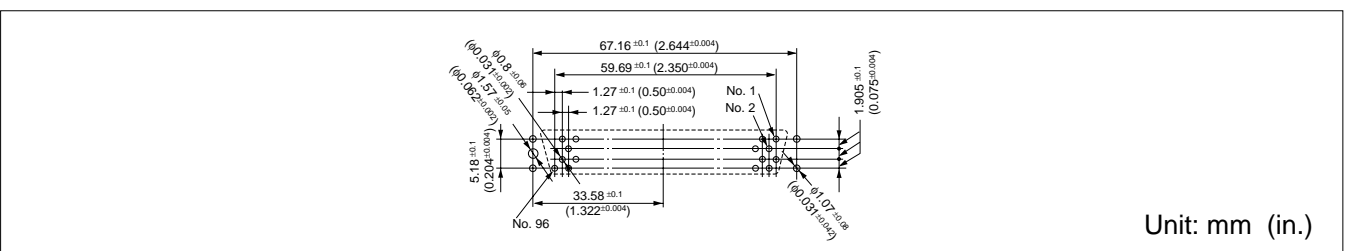
| Number of contacts | Part number | Dimensions: mm (in.) | | |
|--------------------|-----------------|----------------------|---------------|---------------|
| | | A | B | C |
| 48 | FCN-234J048-G/Y | 40.52 (1.595) | 33.38 (1.314) | 29.21 (1.150) |
| 68 | FCN-234J068-G/Y | 53.22 (2.095) | 46.08 (1.814) | 41.91 (1.650) |
| 96 | FCN-234J096-G/Y | 71.00 (2.795) | 63.86 (2.514) | 59.69 (2.350) |

STRAIGHT SOCKET (EXTENDED HEIGHT S BUS - STACK HEIGHT 39.1mm)

■ DIMENSIONS

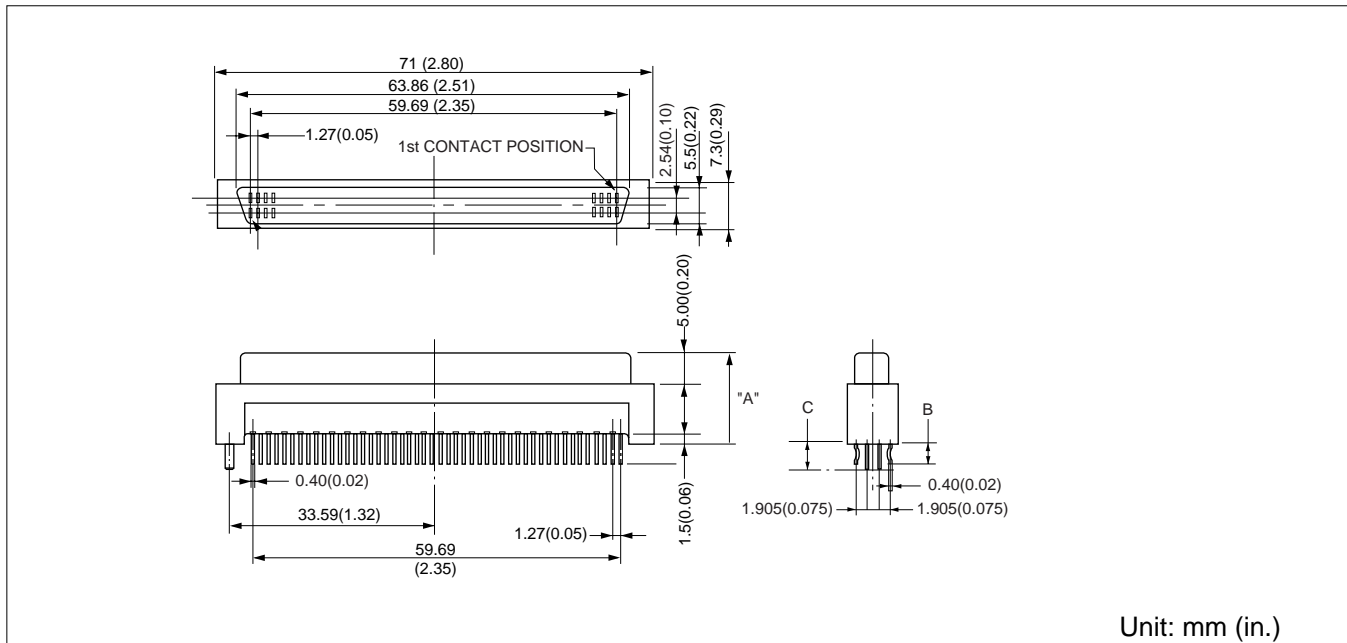


■ MOUNTING HOLE LAYOUT

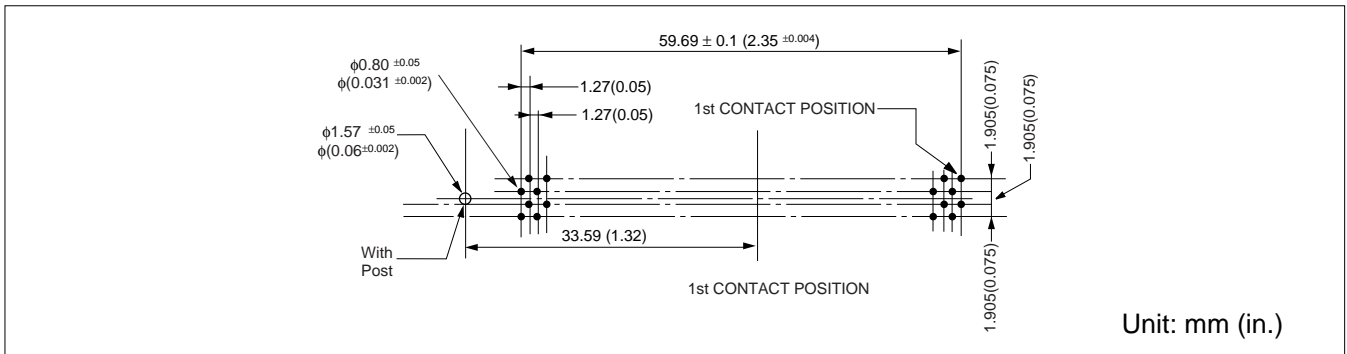


FCN-234J096-G/* STRAIGHT-TYPE SOCKET — S-BUS

■ DIMENSIONS



■ MOUNTING HOLE LAYOUT

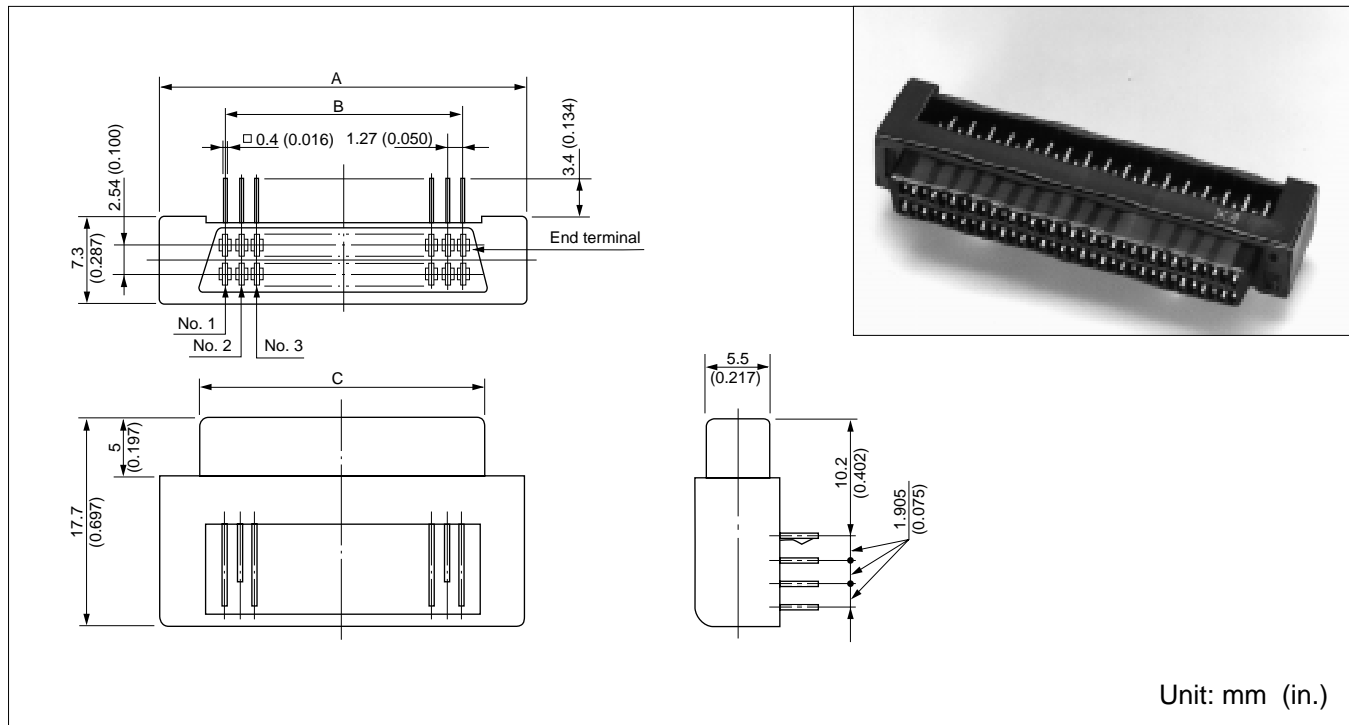


■ PART NUMBERS AND DIMENSIONS

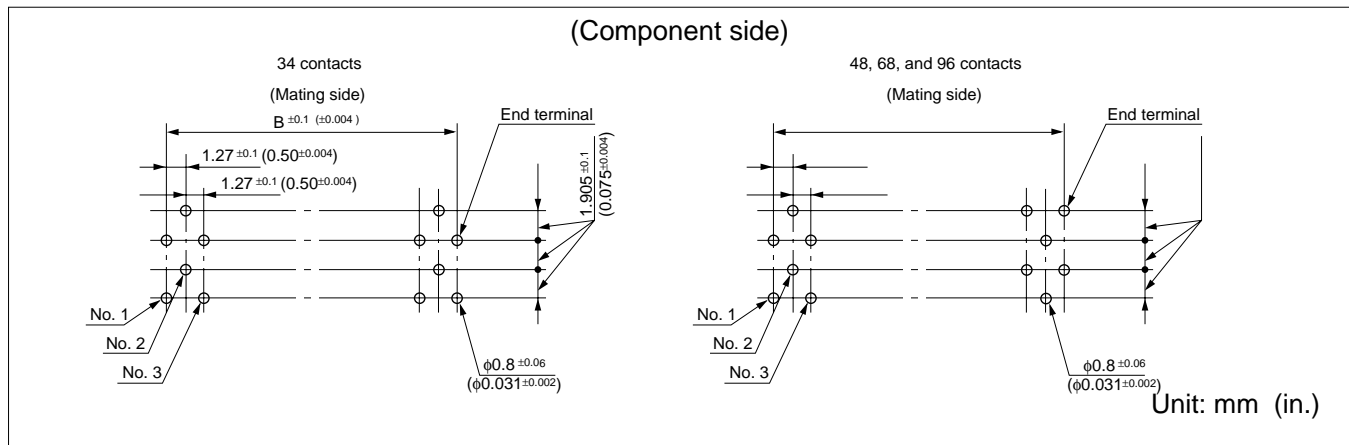
| No. of Contacts | Part Number | A | B Lead Length | C Polarization Post | Description |
|-----------------|-------------------|-------------|---------------|---------------------|-------------|
| 96 | FCN-234J096-G/O | 10.7(0.421) | 3.0(0.13) | - | Std. |
| 96 | FCN-234J096-G/S | 10.7(0.421) | 3.0(0.13) | 4.0(0.16) | Std. |
| 96 | FCN-234J096-G/Y | 14.45(0.57) | 3.0(0.13) | - | S-Bus |
| 96 | FCN-234J096-G/TFA | 14.45(0.57) | 2.8(0.11) | 3.4(0.13) | S-Bus |
| 96 | FCN-234J096-G/UA | 14.45(0.57) | 3.0(0.13) | 3.4(0.13) | S-Bus |

RIGHT-ANGLE SOCKET

■ DIMENSIONS



■ MOUNTING HOLE LAYOUT



■ PART NUMBERS AND DIMENSIONS

| Number of contacts | Part number | Dimensions: mm (in.) | | |
|--------------------|-----------------|----------------------|---------------|---------------|
| | | A | B | C |
| 34 | FCN-235J034-G/0 | 31.63 (1.245) | 20.32 (0.800) | 24.69 (0.800) |
| 48 | FCN-235J048-G/0 | 40.52 (1.595) | 29.21 (1.150) | 33.38 (1.314) |
| 68 | FCN-235J068-G/0 | 53.22 (2.095) | 41.91 (1.650) | 46.08 (1.814) |
| 96 | FCN-235J096-G/0 | 71.00 (2.795) | 59.69 (2.350) | 63.86 (2.514) |

FOR CABLE ASSEMBLY TOOL INFORMATION SEE PAGES 2-183 TO 2-190

Fujitsu Components International Headquarter Offices

Japan

Fujitsu Component Limited
Gotanda-Chuo Building
3-5, Higashigotanda 2-chome, Shinagawa-ku
Tokyo 141-0022, Japan
Tel: (81-3) 5449-7010
Fax: (81-3) 5449-2626
Email: promothq@fcl.fujitsu.com
Web: www.fcl.fujitsu.com

North and South America

Fujitsu Components America, Inc.
250 E. Caribbean Drive
Sunnyvale, CA 94089 U.S.A.
Tel: (1-408) 745-4900
Fax: (1-408) 745-4970
Email: components@us.fujitsu.com
Web: <http://us.fujitsu.com/components>

Europe

Fujitsu Components Europe B.V.
Diamantlaan 25
2132 WV Hoofddorp
Netherlands
Tel: (31-23) 5560910
Fax: (31-23) 5560950
Email: info@fceu.fujitsu.com
Web: emea.fujitsu.com/components

Asia Pacific

Fujitsu Components Asia Ltd.
102E Pasir Panjang Road
#01-01 Citilink Warehouse Complex
Singapore 118529
Tel: (65) 6375-8560
Fax: (65) 6273-3021
Email: fcal@fcal.fujitsu.com
www.fcal.fujitsu.com

© 2010 Fujitsu Components America, Inc. All rights reserved. All trademarks or registered trademarks are the property of their respective owners. Fujitsu Components America, Inc. or its affiliates do not warrant that the content of the datasheet is error free. In a continuing effort to improve our products, Fujitsu Components America, Inc. or its affiliates reserve the right to change specifications/datasheets without prior notice. Rev. June 11, 2010.