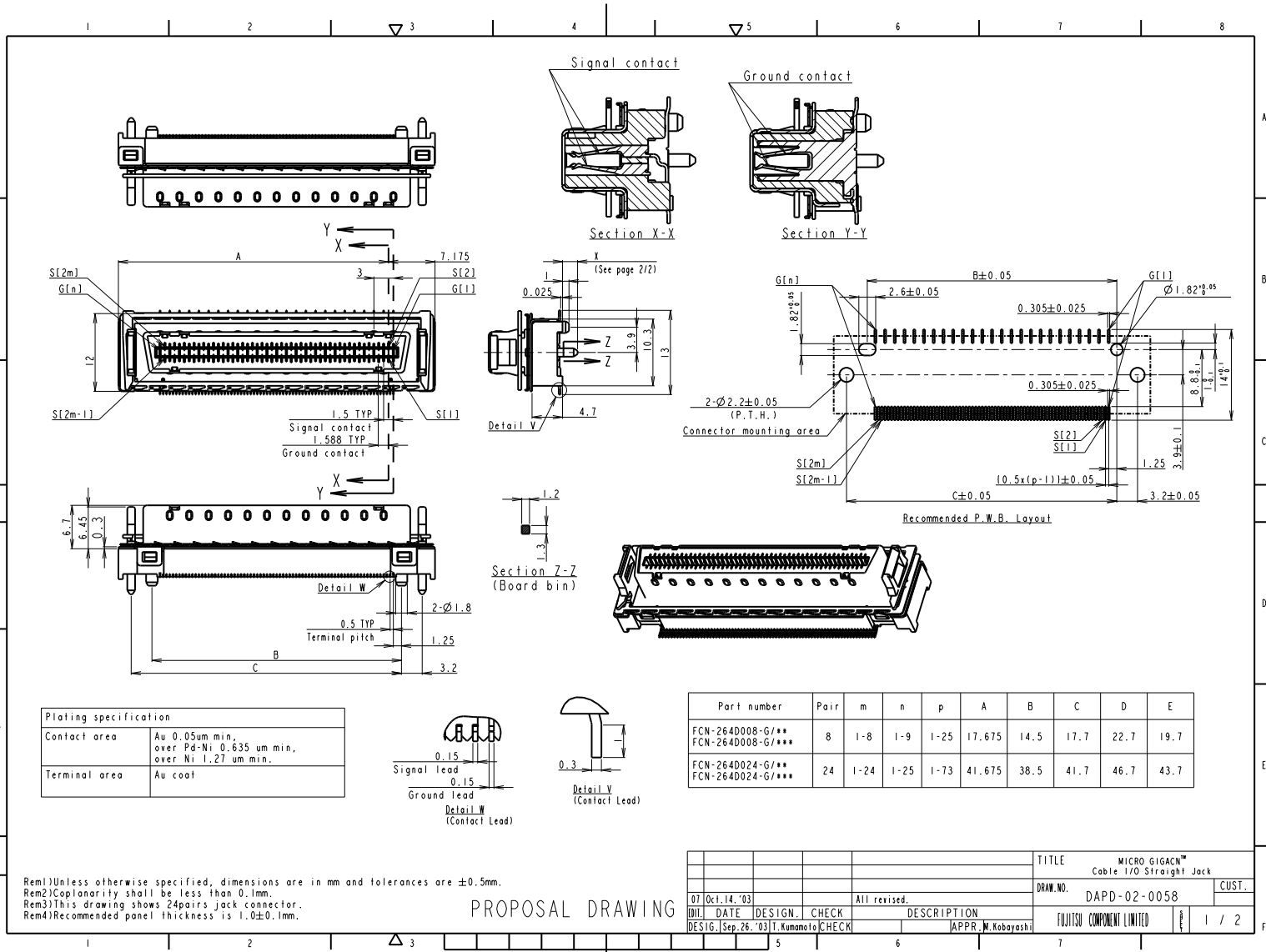


DATE DOCUMENT CONTROL SECTION



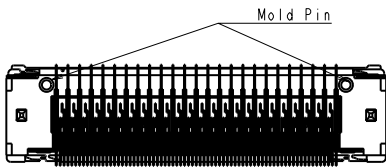
Rem1) Unless otherwise specified, dimensions are in mm and tolerances are  $\pm 0.5$ mm.  
 Rem2) Coplanarity shall be less than 0.1mm.  
 Rem3) This drawing shows 24pairs jack connector.  
 Rem4) Recommended panel thickness is  $1.0 \pm 0.1$ mm.

PROPOSAL DRAWING

					TITLE		MICRO GIGACN™ Cable I/O Straight Jack	
					DRAW. NO.		DAPD-02-0058	
					CUST.			
07	Oct. 14 '03	DESIGN.	CHECK	All revised.				
DESIG. [Sep. 26 '03] T. Kumamoto		CHECK		APPR. M. Kobayashi		FUJITSU COMPONENT LIMITED		
						1 / 2		

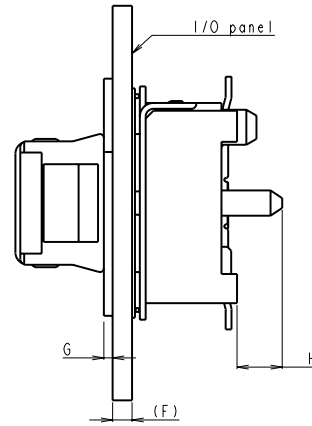
FCN-264D0\*\* -G/ \*\* , -G/ \*\*

(Mold pin type)

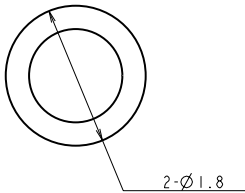


FCN-264D0\*\* -G/ \*\* , -G/ \*\*

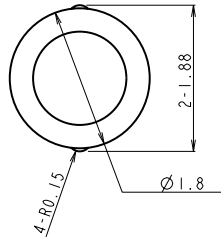
(Recommended P.W.B. thickness)



FCN-264D0\*\* -G/ 1 \* , -G/ 1 \*\*  
(Alignment pin type)



FCN-264D0\*\* -G/ 2 \* , -G/ 2 \*\*  
(Crush pin type)



Lock plate thickness

Part No.	F: Panel Thickness	G: Lock plate thickness
FCN-264D008-G/**	1.0	0.5: FCN-260A622
FCN-264D024-G/**		FCN-260A626
FCN-264D008-G/**I	1.2	0.3: FCN-260A632
FCN-264D024-G/**I		FCN-260A636

Solder post length

Part No.	P.W.B. Thickness	H
FCN-264D0** -G/*D	1.6	2.325
FCN-264D0** -G/*DI		
FCN-264D0** -G/*F	2.4	3.125
FCN-264D0** -G/*FI		
FCN-264D0** -G/*K	4.0	4.725
FCN-264D0** -G/*KI		

DATE DOCUMENT CONTROL SECTION

				TITLE		MICRO GIGACM™	
						Cable I/O Straight Jack	
				DRAW. NO.		DAPD-02-0058	
						CUST.	
07	Oct. 14, '03	All revised.		DESCRIPTION		FUJITSU COMPONENT LIMITED	
DESIG.	DATE	DESIGN	CHECK	DESIGN	APPR.	2 / 2	