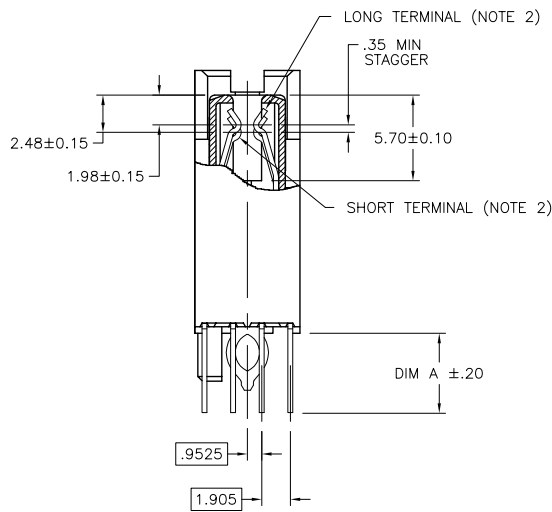


mat'l. code	surface	tolerance	projection	product family
	ASME Y14.3	ASME Y14.5		SCA-2
ltr	ecn no	dr	date	title
B	V00523	EPK	3/28/00	SCA-2 & FIBER CHANNEL
C	V02706	LSS	10/23/00	40 POS. RECEPT. ASS'Y EXT. HT.
D	V10902	LSS	02/21/01	scale 2:1
E	V11185	JWS	04/12/01	dwg no
F	S04-0090	GLL	04/30/04	sheet 1 of 4 size
G	S04-0250	GLL	11/22/04	72443
H	D607-0224	JW	05/25/07	A4
sheet	revision	H	H	H
index	sheet	1	2	3



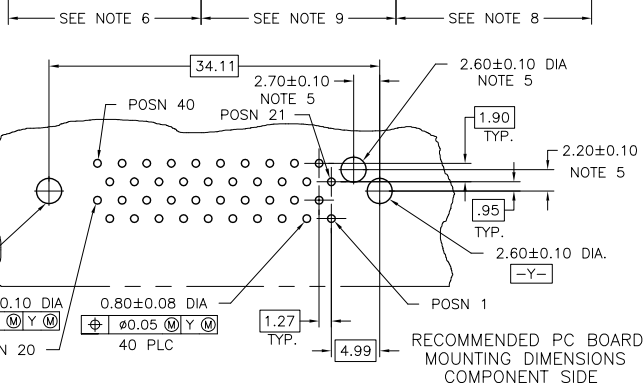
SECTION A-A

mat'l. code		surface ASME Y14.5		tolerance ASME Y14.5		projection		product family SCA-2	
ltr	ecn no	dr	date	tolerances unless otherwise specified		MM		title	
H				angles	.x±.3	←		SCA-2 & FIBER CHANNEL	
				0°±2°	.XX±.13	scale 3:1		40 POS. RECEPT. ASS'Y EXT. HT.	
		dr	D. INGRAM	9/28/96	.XXX±.051	FCI		dwg no	
		engr	JULIA WANG	5/25/07				sheet 2 of	
		chr	GARY HSIEH	5/25/07				72443	
		appd	JOSEPH HSIA	5/25/07				size A4	
sheet index	revision sheet							type Product Customer Drawing	

PRODUCT NO. SEE NOTE 7	DIM A	POLARIZATION PEG	PLATING	RECOMMENDED P.C. BOARD THICKNESS	PRODUCT NO. SEE NOTE 7	PLATING	PRODUCT NO. SEE NOTE 12	PLATING	PRODUCT NO. SEE NOTE 12	PLATING
72443-001	3.79	YES	NOTE 4	2.36mm (0.093") AND 3.18mm (0.125")	72443-101	NOTE 6	72443-001LF	NOTE 9	72443-201LF	NOTE 8
-001S					-101S		-002LF			
-002	-102	-202LF								
-002S	-102S	-203LF								
-003	-103	-204LF								
-003S	-103S									
-004	4.60	YES								
-004S	4.60	NO								
72443-004S					72443-104S					

NOTES :

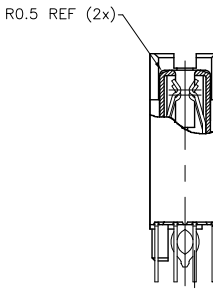
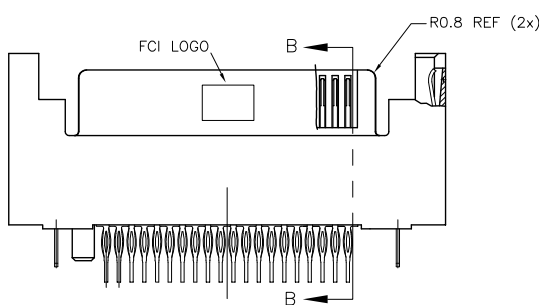
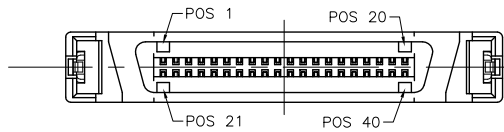
- ① TRUE POSITION NOTES APPLY AT TERMINAL TIP.
- ② CONTACTS IN POSITIONS 1 THRU 20,24,25,27,28, 30, 31, 33, AND 34 ARE SHORT TERMINALS. CONTACTS IN POSITIONS 21, 22, 23, 26, 29, 32, AND 35 THRU 40 ARE LONG TERMINALS.
- ③ RAW MATERIALS:  
HOUSING: HTN, UL94V-0, COLOR: BLACK  
CONTACTS: PHOSPHOR-BRONZE
- ④ CONTACT PLATING: 30u" (0.76um) MIN. GXT PLATING OVER 50u" (1.27um) NICKLE MIN. UNDERPLATE IN CONTACT AREA. 20u" (0.5um) MIN-60u" (1.5um) MAX TIN-LEAD PLATING OVER 50u" (1.27um) MIN NICKEL UNDERPLATE IN P.C. BOARD LEG AREA. 50u" (1.27um) MIN. NICKEL UNDERPLATE OVER REMAINING AREA.
- ⑤ DIMENSIONS DO NOT APPLY TO CONNECTOR STYLES WITHOUT POLARIZATION PEG. (SEE CHART)
- ⑥ CONTACT PLATING: 30u" (0.76um) MIN. GOLD PLATING OVER 50u" (1.27um) NICKLE MIN. UNDERPLATE IN CONTACT AREA. 20u" (0.5um) MIN-60u" (1.5um) MAX TIN-LEAD PLATING OVER 50u" (1.27um) MIN. NICKEL UNDERPLATE IN P.C. BOARD LEG AREA. 50u" (1.27um) MIN. NICKEL UNDERPLATE OVER REMAINING AREA.
- ⑦ PART NUMBERS WITH AN "S" SUFFIX ARE MANUFACTURED WITH A BRIGHT TIN-LEAD FINISH ON THE TERMINAL TAIL SECTION. PART NUMBERS WITHOUT AN END SUFFIX ARE MANUFACTURED WITH MATTE TIN-LEAD FINISH OR MATTE TIN FINISH.
- ⑧ CONTACT PLATING: 30u" (0.76um) GOLD PLATING OVER 50u" (1.27um) NICKLE UNDERPLATE IN CONTACT AREA. 20u" (0.5um) - 60u" (1.5um) TIN PLATING OVER 50u" (1.27um) - 100u" (2.54um) NICKEL UNDERPLATE IN P.C. BOARD LEG AREA. 50u" (1.27um) NICKEL UNDERPLATE OVER REMAINING AREA.
- ⑨ CONTACT PLATING: 30u" (0.76um) GXT PLATING OVER 50u" (1.27um) NICKLE UNDERPLATE IN CONTACT AREA. 20u" (0.5um) - 60u" (1.5um) TIN PLATING OVER 50u" (1.27um) - 100u" (2.54um) NICKEL UNDERPLATE IN P.C. BOARD LEG AREA. 50u" (1.27um) NICKEL UNDERPLATE OVER REMAINING AREA.
- ⑩ THE HOUSING WILL WITHSTAND EXPOSURE TO 260 C PEAK TEMPERATURE FOR 10 SECONDS IN A CONVECTION, INFRA RED VAPOR PHASE REFLOW OVEN.



- ⑪ THIS PRODUCT MEETS EUROPEAN UNION DIRECTIVES AND OTHER COUNTRY REGULATIONS AS DESCRIBED IN GS-22-008.
- ⑫ PART NUMBERS ENDING IN "LF" MEANS FOR NOTE 11 LEAD FREE IDENTIFICATION. P/N XXXXX-2XXLF IS EQUIVALENT TO PREVIOUS P/N XXXXX-2XX

mat'l. code	surface ASME Y14.3	tolerance ASME Y14.5	projection	product family SCA-2
ltr	ecn no	dr	date	title
H				SCA-2 & FIBER CHANNEL
				40 POS. RECEPT. ASS'Y EXT. HT.
				dwg no 72443
				sheet 3 of 4 size A4
				type Product Customer Drawing
sheet index	revision sheet			

SEE NOTE 12	DIM A	PEG	PLATING	BOARD THICKNESS	REMARK
72443-205LF	3.79	YES	NOTE 8	2.36mm (0.093") AND 3.18mm (0.125")	NOTE 14
-206LF	3.79	NO			



ALL OTHER DIMENSIONS, REFER TO 72443-201LF (SHEET 1 - 3)

SECTION B-B

NOTES :

14 WITH CUSTOMISED RADIUS ADDED

mat'l. code		surface	tolerance	projection	product family
ltr		ASME Y14.3	ASME Y14.5		SCA-2
ecn no	dr	tolerances unless otherwise specified		MM	title
		angles	.XX±.13	MM	SCA-2 & FIBER CHANNEL
		σ±Z	.XXX±.051	scale 2:1	40 POS. RECEPT. ASS'Y EXT. HT.
		dr	D. INGRAM 9/28/96		dwg no
		engr	JULIA WANG 5/25/07		sheet 4 of 4
		chr	GARY HSIEH 5/25/07		size
		appd	JOSEPH HSIA 5/25/07		A4
sheet index	revision sheet				type
					Product Customer Drawing