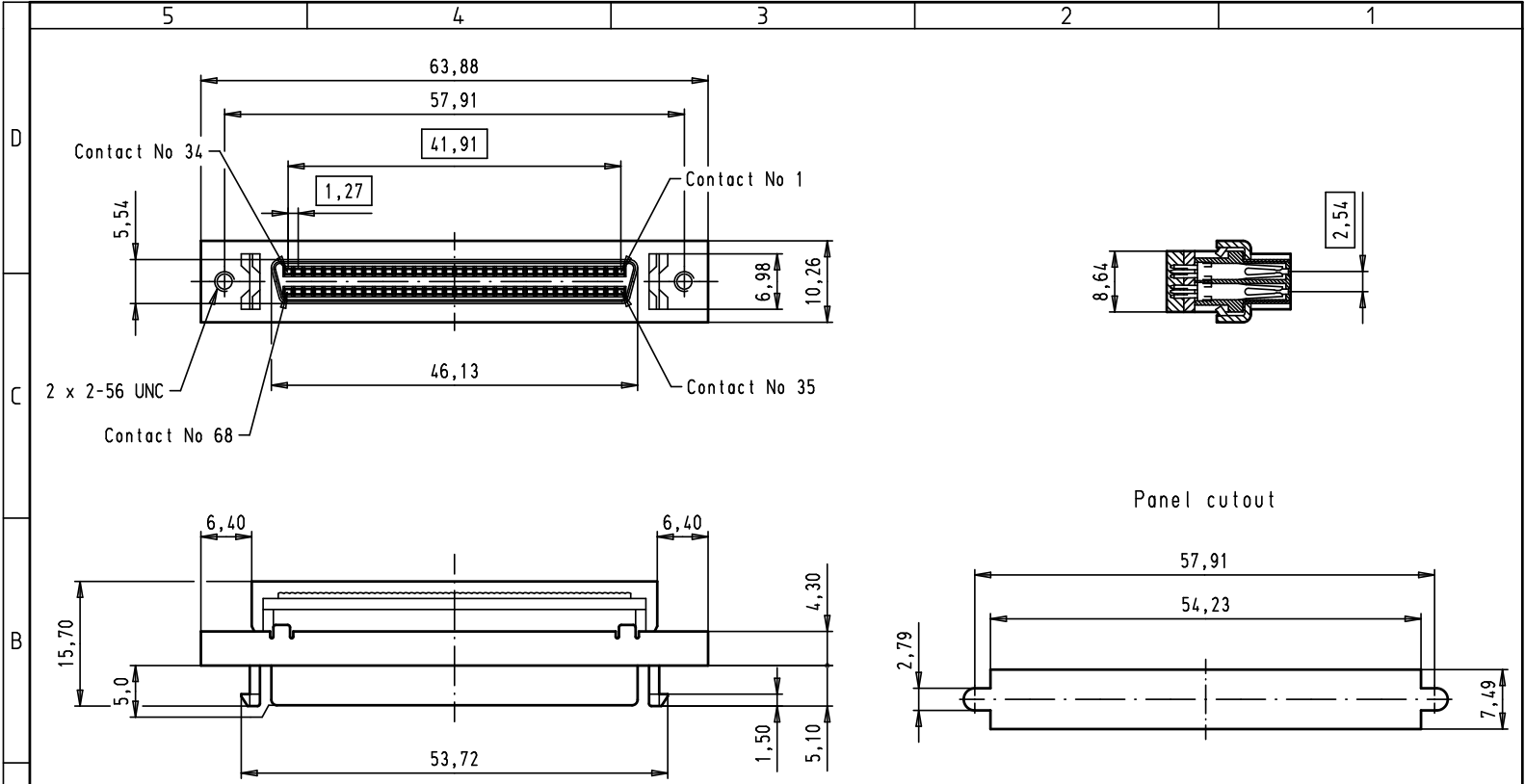




Alle Rechte vorbehalten/ All rights reserved



A				Det.	Name	 Har-mik® I/O pin/socket SCSI 2 IDC panel 68 poles female connector with 2-56 UNC threads and latches	Maßstab/ Scale		
				Detail.	30/08/00 ALSPACE		All Dim. in mm Orig. Size DIN A 4	1,5:1	
				Insp.				 TB 60 04 068 5343 Sub.	Blatt/ Page 1 / 1
				Stand.					
	EC00328	27/03/09	PK	HARTING EURL F-95972 Paris					
	27941	30/08/00	ALSPACE						
	Mod.	Det.	Name						