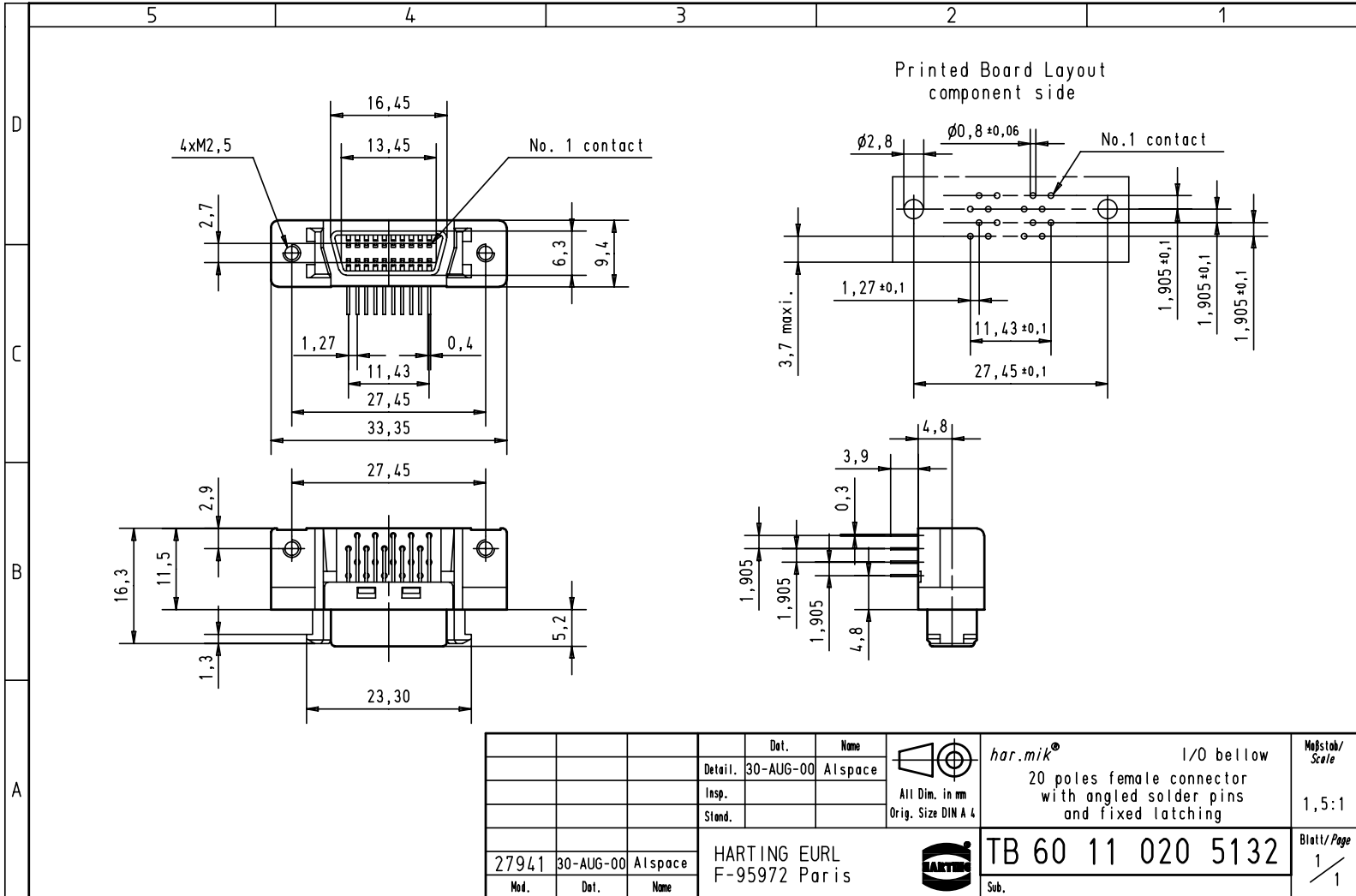
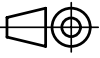
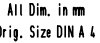



Alle Rechte vorbehalten / All rights reserved



|       |           |         |  |                               |                   |   |  |   |             |
|-------|-----------|---------|--|-------------------------------|-------------------|---|--|---|-------------|
|       |           |         |  | Det.                          | Name              |  har.mik® I/O bellow<br>20 poles female connector<br>with angled solder pins<br>and fixed latching | Maßstab/<br>Scale  |   |             |
|       |           |         |  | Detail.                       | 30-AUG-00 Alspace |   |  All Dim. in mm<br>Orig. Size DIN A 4 | 1,5:1   |             |
|       |           |         |  | Insp.                         |                   |   |  |  TB 60 11 020 5132 | Blatt/ Page |
|       |           |         |  | Stand.                        |                   |   |  |   | 1 / 1       |
| 27941 | 30-AUG-00 | Alspace |  | HARTING EURL<br>F-95972 Paris |                   | Sub.  |  |   |             |