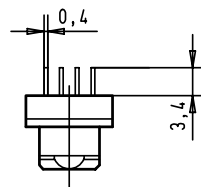
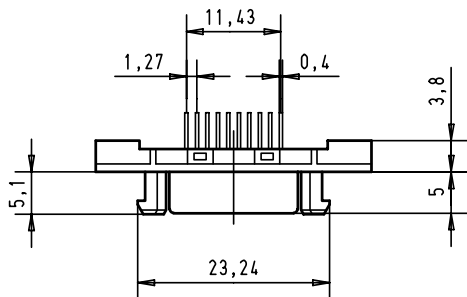
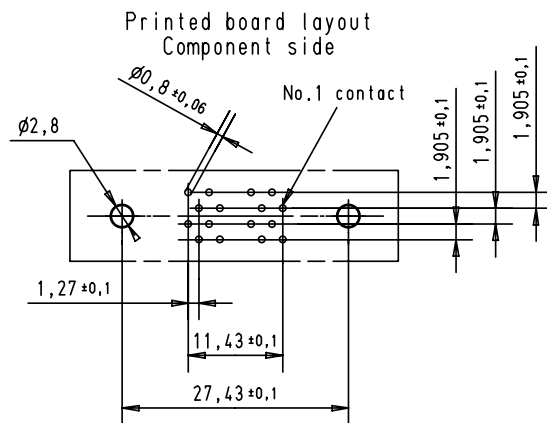
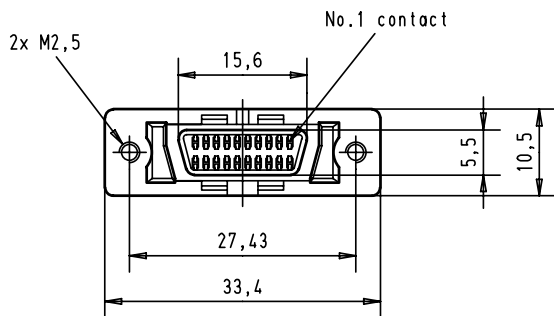




Alle Rechte vorbehalten/ All rights reserved



			Det.	Name	 har.mik® I/O pin/socket 20 poles female connector with straight solder pins and fixed latching	Maßstab/ Scale	
			Detail.	30-AUG-00		All Dim. in mm Orig. Size DIN A 4	1,5:1
			Insp.				
			Stand.				
27941	30-AUG-00	JB	HARTING EURL F-95972 Paris		 TB 60 01 020 5102 Sub.	Blatt/ Page 1 / 1	