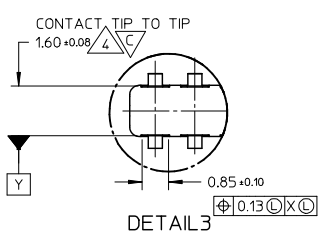
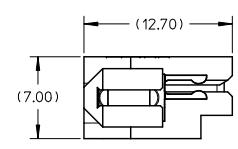
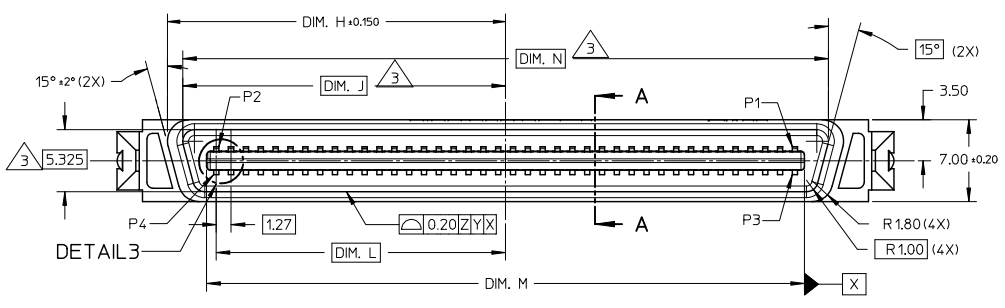
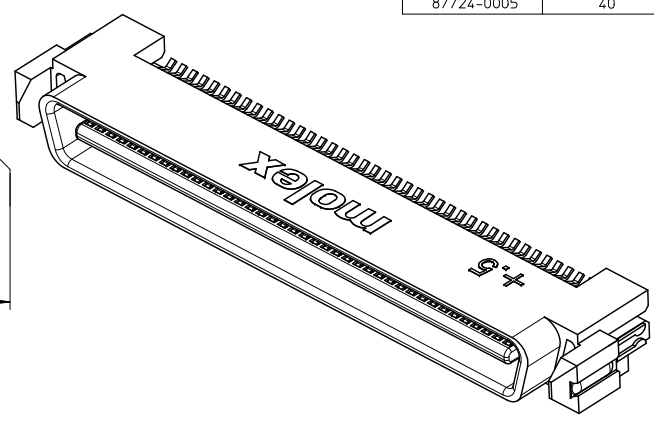
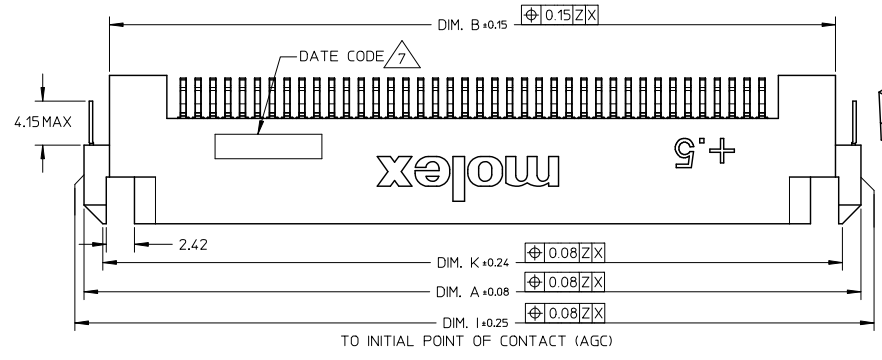


PART NUMBER	CKT SIZE
87724-0004	80
87724-0005	40



SEE SHEET 3
 EC NO: S2009-0709
 DRAWN BY: CHYKICOH
 CHECKED BY: CHYKICOH
 APPR: BOXOK

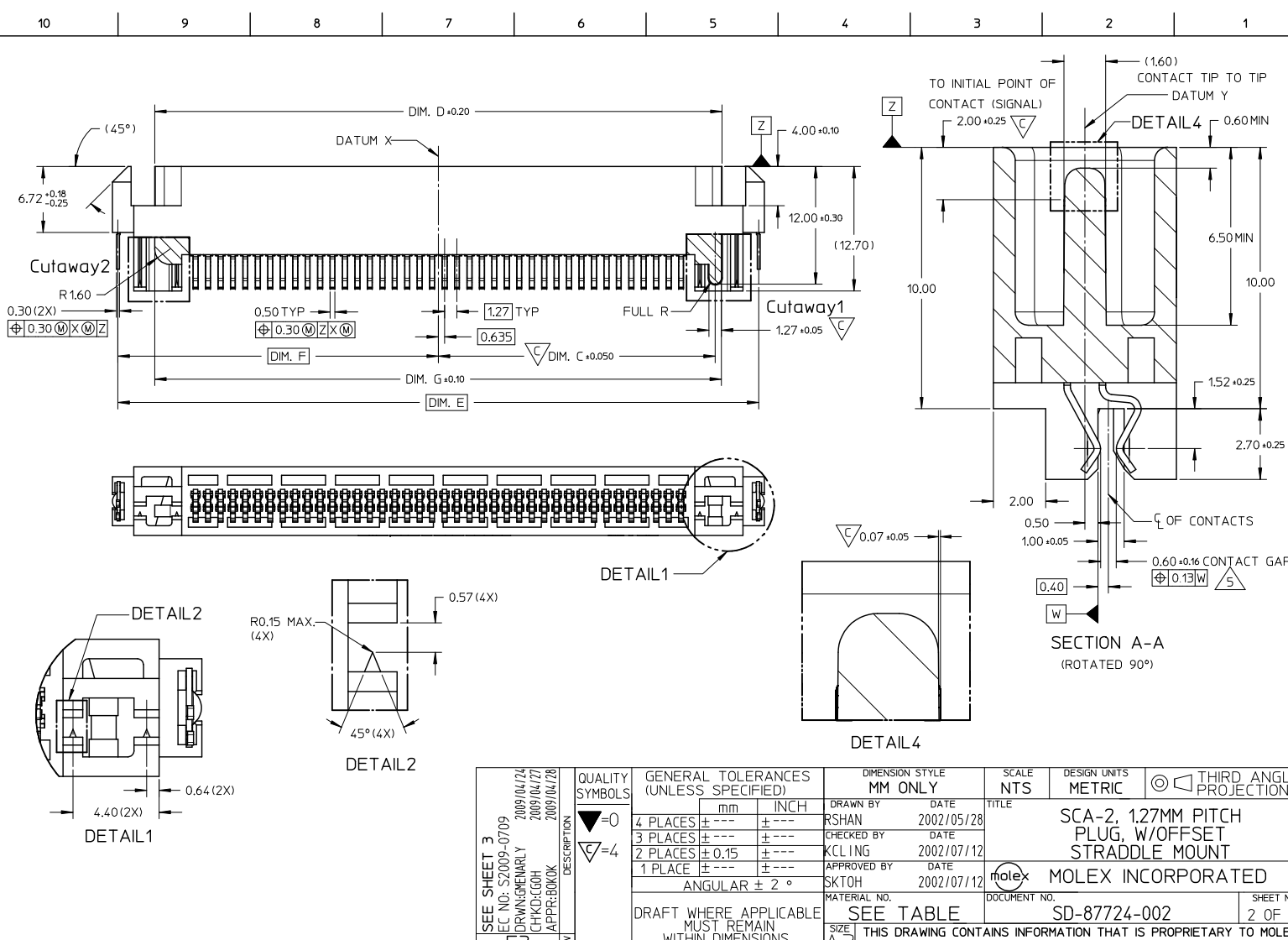
REV	DESCRIPTION
1	2009/04/24
2	2009/04/27
3	2009/04/28

QUALITY SYMBOLS	GENERAL TOLERANCES (UNLESS SPECIFIED)	
	mm	INCH
$\nabla=0$	4 PLACES \pm ---	\pm ---
$\nabla=1$	3 PLACES \pm ---	\pm ---
	2 PLACES ± 0.15	\pm ---
	1 PLACE \pm ---	\pm ---
	ANGULAR $\pm 2^\circ$	

DRAFT WHERE APPLICABLE MUST REMAIN WITHIN DIMENSIONS

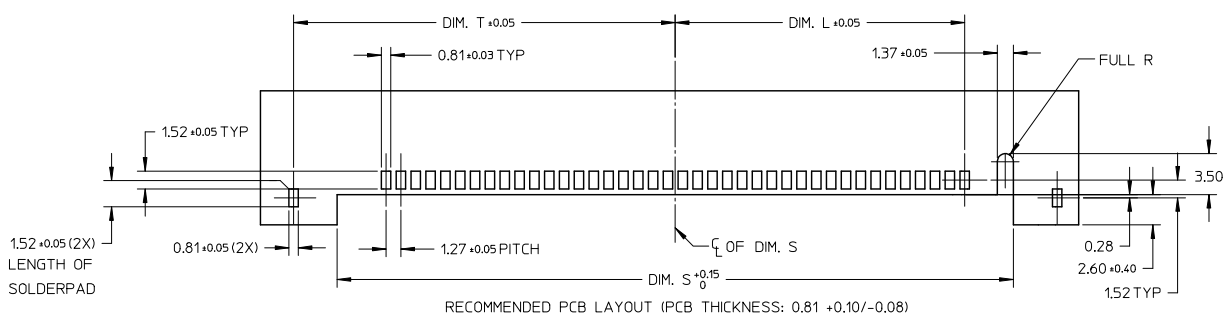
DIMENSION STYLE		SCALE	DESIGN UNITS	THIRD ANGLE PROJECTION
MM ONLY	DATE	NTS	METRIC	
DRAWN BY: RSHAN	DATE: 2002/05/28			
CHECKED BY: KCLING	DATE: 2002/07/12			
APPROVED BY: SKTOH	DATE: 2002/07/12			

TITLE	MOLEX INCORPORATED	SHEET NO.
SCA-2, 1.27MM PITCH PLUG, W/OFFSET STRADDLE MOUNT	MOLEX INCORPORATED	1 OF 4
MATERIAL NO. SEE TABLE	DOCUMENT NO. SD-87724-002	

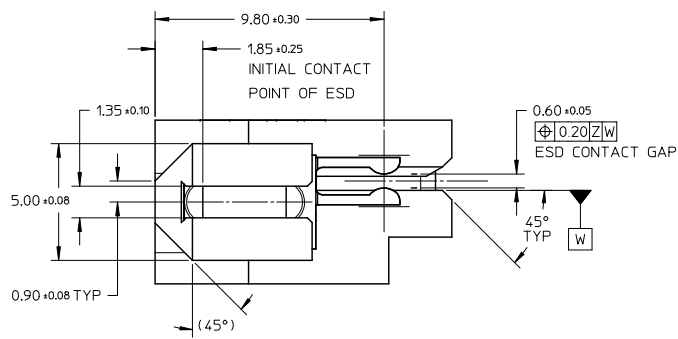


SEE SHEET 3 ELEC NO: S2009-0709 DRAWN BY: JORWINGEMARLY 2009/04/24 CHECKED BY: CHYKICGOH 2009/04/27 APPR: BOBOK 2009/04/28	DESCRIPTION REV	QUALITY SYMBOLS ▽=0 ▽=4	GENERAL TOLERANCES (UNLESS SPECIFIED)		DIMENSION STYLE MM ONLY		SCALE NTS	DESIGN UNITS METRIC	THIRD ANGLE PROJECTION	
		4 PLACES ± --- ± --- 3 PLACES ± --- ± --- 2 PLACES ± 0.15 ± --- 1 PLACE ± --- ± ---	mm INCH	DRAWN BY RSHAN	DATE 2002/05/28	TITLE SCA-2, 1.27MM PITCH PLUG, W/OFFSET STRADDLE MOUNT				
		ANGULAR ± 2 °		CHECKED BY KCLING	DATE 2002/07/12	MOLEX INCORPORATED				
		DRAFT WHERE APPLICABLE MUST REMAIN WITHIN DIMENSIONS		APPROVED BY SKTOH	DATE 2002/07/12	MATERIAL NO. SEE TABLE	DOCUMENT NO. SD-87724-002	SHEET NO. 2 OF 4		

	10	9	8	7	6	5	4	3	2	1											
	CKT SIZE	A	B	C	D	E	F	G	H	I	J	K	L	M	N	P1	P2	P3	P4	S	T
F	80	66.50	62.15	28.245	57.87	65.36	32.68	57.82	28.935	66.40	27.635	63.30	24.765	51.17	55.27	1	40	41	80	57.88	32.66
F	40	41.10	36.75	15.545	32.47	39.96	19.98	32.42	16.235	41.00	14.935	37.90	12.065	25.77	29.87	1	20	21	40	32.48	19.96



- NOTES:
1. MATERIAL: HOUSING: LCP, UL 94V-0 RATED, COLOR: BLACK
TERMINAL: BRASS ESD: PHOSPHOR BRONZE
 2. FINISH: TERMINAL :0.76µm MIN GOLD OVER 1.27µm MIN NICKEL UNDERPLATE.
3.81µm MIN TIN OVER 1.27µm MIN NICKEL UNDERPLATE..
ESD CLIP :3.81µm MIN. TIN ALL OVER WITH 1.27µm MIN. NICKEL UNDERPLATE ALL OVER.
 3. DIMENSION TO BE MEASURED AT A DEPTH OF 6.0mm FROM DATUM Z.
 4. DISTANCE MEASURED ACROSS CONTACT MATING SURFACES ALONG EFFECTIVE MATING AREA AND CONTACT MUST BE ABOVE PLASTIC ALONG EFFECTIVE MATING AREA.
 5. APPLIES TO ALL SURFACES OF ALL CONTACT SOLDER TAILS.
 6. PACKAGING: TRAY
 7. DATE CODE FORMAT TO BE YYDDD.
 8. DIMENSIONS NEED PROCESS CAPABILITIES STUDIES (CPK) DATA
 9. FOR GENERAL DEFECT CRITERIA, REFER TO IPC-A-610D (SECTION 9.5 ON PAGES 294 AND 295) FOR CLASS 2 PRODUCTS.
 10. FOR SPECIFIC DENT CRITERIA, REFER TO MOLEX VISUAL INSPECTION SOP#1-571
 11. PRODUCT IS COMPLIANT TO SFF-8451 SPECIFICATION



CHGD SOP# (NOTE 10) ADD NOTE 11 C NO: S2009-0709 2009/04/24 DRWNG: MGNARLY 2009/04/27 CHKD: CGH APPR: BOKOK 2009/04/28	QUALITY SYMBOLS	GENERAL TOLERANCES (UNLESS SPECIFIED)	DIMENSION STYLE MM ONLY	SCALE NTS	DESIGN UNITS METRIC	THIRD ANGLE PROJECTION																														
	$\nabla=0$ $\nabla=0$	<table border="1"> <tr> <th></th> <th>mm</th> <th>INCH</th> </tr> <tr> <td>4 PLACES</td> <td>± ---</td> <td>± ---</td> </tr> <tr> <td>3 PLACES</td> <td>± ---</td> <td>± ---</td> </tr> <tr> <td>2 PLACES</td> <td>± 0.15</td> <td>± ---</td> </tr> <tr> <td>1 PLACE</td> <td>± ---</td> <td>± ---</td> </tr> <tr> <td colspan="3">ANGULAR ± 2 °</td> </tr> </table>		mm	INCH	4 PLACES	± ---	± ---	3 PLACES	± ---	± ---	2 PLACES	± 0.15	± ---	1 PLACE	± ---	± ---	ANGULAR ± 2 °			<table border="1"> <tr> <td>DRAWN BY</td> <td>DATE</td> </tr> <tr> <td>RSHAN</td> <td>2002/05/28</td> </tr> <tr> <td>CHECKED BY</td> <td>DATE</td> </tr> <tr> <td>KCLING</td> <td>2002/07/12</td> </tr> <tr> <td>APPROVED BY</td> <td>DATE</td> </tr> <tr> <td>SKTOH</td> <td>2002/07/12</td> </tr> </table>	DRAWN BY	DATE	RSHAN	2002/05/28	CHECKED BY	DATE	KCLING	2002/07/12	APPROVED BY	DATE	SKTOH	2002/07/12	TITLE		
		mm	INCH																																	
	4 PLACES	± ---	± ---																																	
3 PLACES	± ---	± ---																																		
2 PLACES	± 0.15	± ---																																		
1 PLACE	± ---	± ---																																		
ANGULAR ± 2 °																																				
DRAWN BY	DATE																																			
RSHAN	2002/05/28																																			
CHECKED BY	DATE																																			
KCLING	2002/07/12																																			
APPROVED BY	DATE																																			
SKTOH	2002/07/12																																			
DRAFT WHERE APPLICABLE MUST REMAIN WITHIN DIMENSIONS	SEE TABLE	MATERIAL NO.	DOCUMENT NO.	SHEET NO.																																
	SIZE A3	THIS DRAWING CONTAINS INFORMATION THAT IS PROPRIETARY TO MOLEX INCORPORATED AND SHOULD NOT BE USED WITHOUT WRITTEN PERMISSION																																		

SCA-2, 1.27MM PITCH
PLUG, W/OFFSET
STRADDLE MOUNT

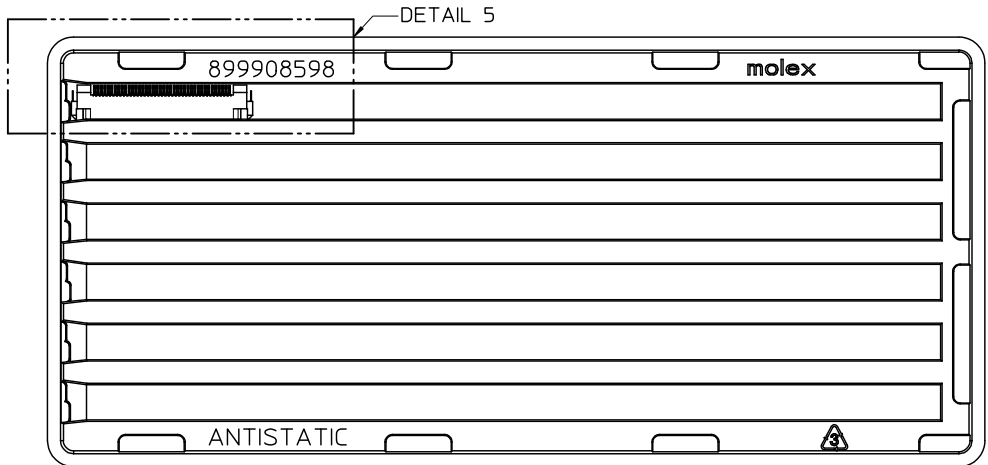
MOLEX INCORPORATED

SD-87724-002

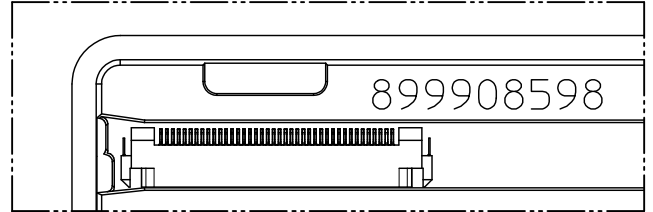
3 OF 4

10 9 8 7 6 5 4 3 2 1

PACKAGING INFORMATION



DETAIL 5



DETAILS

PART ORIENTATION IN TRAY

PART NUMBER	QTY PER TRAY
87724-0004	30PCS
87724-0005	48PCS

SEE SHEET 3
 DEC NO: S22009-0709
 DRAWN: GEMARLY 2009/04/24
 CHECKED: COH 2009/04/27
 APPR: BOJOK 2009/04/28

QUALITY SYMBOLS	DESCRIPTION
	=0
	=0

GENERAL TOLERANCES (UNLESS SPECIFIED)	
4 PLACES	± --- ± ---
3 PLACES	± --- ± ---
2 PLACES	± 0.15 ± ---
1 PLACE	± --- ± ---
ANGULAR ± 2 °	

DRAFT WHERE APPLICABLE MUST REMAIN WITHIN DIMENSIONS

DIMENSION STYLE	
MM ONLY	
DRAWN BY	DATE
RSHAN	2002/05/28
CHECKED BY	DATE
KCLING	2002/07/12
APPROVED BY	DATE
SKTOH	2002/07/12
MATERIAL NO.	
SEE TABLE	
SIZE A3	

SCALE	DESIGN UNITS	THIRD ANGLE PROJECTION
NTS	METRIC	
TITLE		
SCA-2, 1.27MM PITCH PLUG, W/OFFSET STRADDLE MOUNT		
MOLEX INCORPORATED		
DOCUMENT NO.	SHEET NO.	
SD-87724-002	4 OF 4	

9 8 7 6 5 4 3 2 1