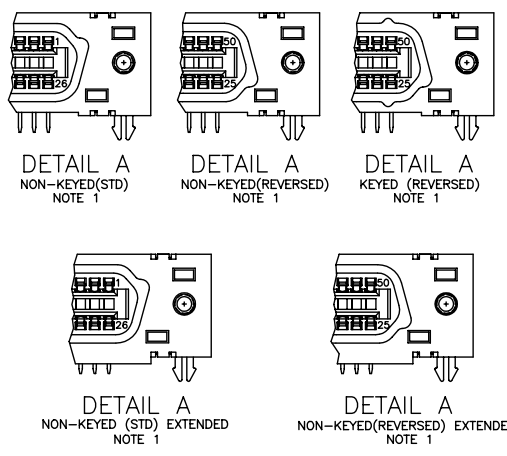
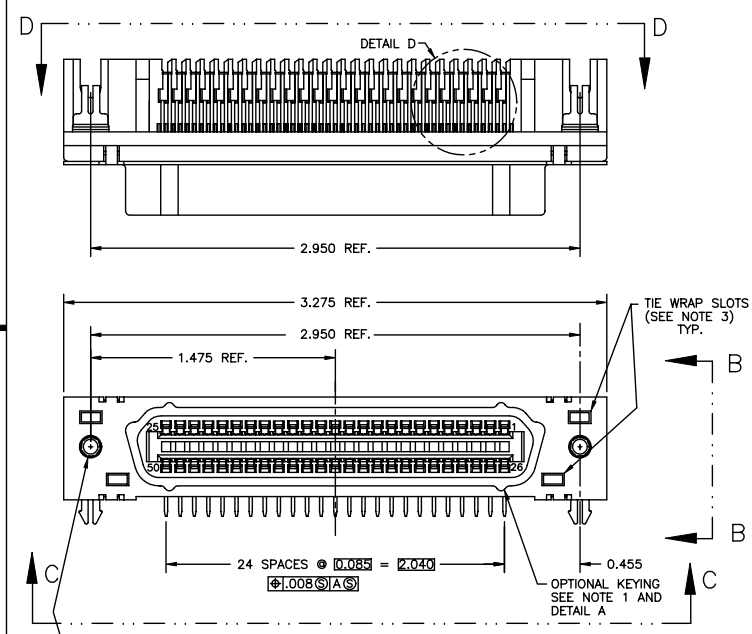


All rights strictly reserved. Reproduction or issue to third parties in any form whatsoever is not permitted without written authority from the proprietor. Property of FCI. Copyright FCI.

PRODUCT NUMBER		"X"	"Y"	"Z"	
92509-001	KEYED	0.100	0.067	0.147	obsolete
92509-002	NON-KEYED	0.100	0.067	0.147	
92509-003	NON-KEYED REVERSE ORIENTATION	0.100	0.067	0.147	obsolete
92509-004	NON-KEYED REVERSE ORIENTATION	0.130	0.095	0.165	
92509-005	NON-KEYED	0.130	0.095	0.165	
92509-006	NON-KEYED EXTENDED-ORIENTATION				obsolete
92509-007	KEYED	0.130	0.095	0.165	
92509-008	KEYED REVERSE ORIENTATION	0.130	0.095	0.165	obsolete
92509-009	NON-KEYED REVERSE EXTENDED-ORIENTATION	0.130	0.095	0.165	obsolete

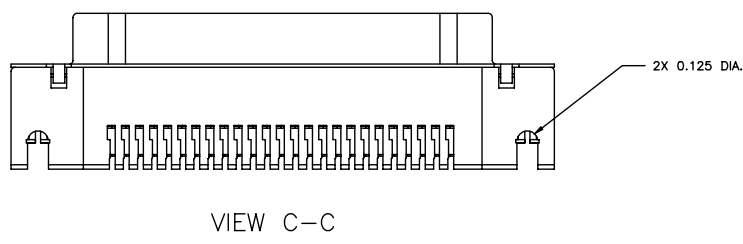
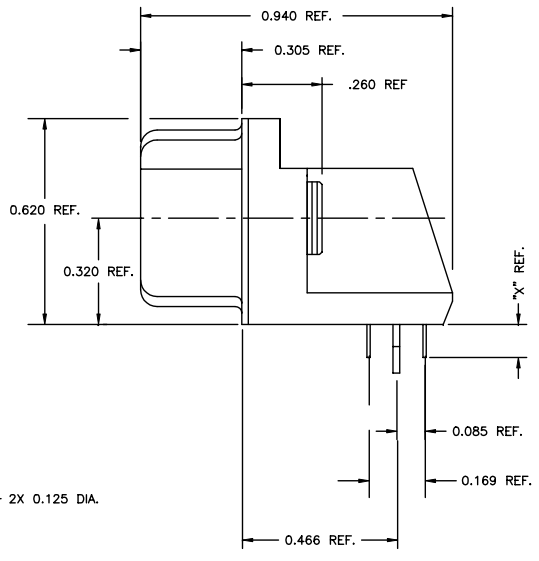
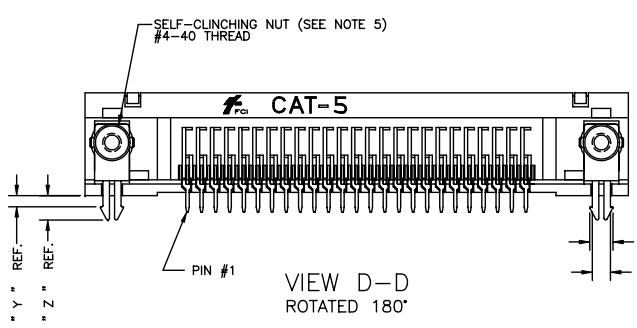


mat'l. code				tolerances unless otherwise specified				CUSTOMER COPY		Electronics www.fciconnect.com	
ltr	ecn no	dr	date	linear	.XX ±.01	projection	title			CAT 5 25 PAIR SHIELDED CONNECTOR ASSEMBLY	
N	V90993	LSS	5/10/99	angles	.XXX ±.005	INCH	code				
P	V94358	LSS	11/23/99		.XXX ±.0020		product family	CATEGORY 5		code	
R	V00440	LP	1/17/00		0' ±2'		size	dwg no		code	
S	V10400	CSP	1/4/01	dr	J. FALKE 6/24/96		scale	A		code	
T	V11768	P.P.	7/23/01	engr	P. RYLATT 4/14/97		1.25:1	92509		code	
U	T04-0402	M W	10/29/04	chr	P. RLATT 4/14/97					sheet	
V	T05-0101	M W	05/10/05	appd	P. RYLATT 4/14/97					1 of 5	
sheet index	revision sheet	V	U	T	S	S					

Tous droits strictement réservés. Reproduction ou communication à des tiers interdite sous quelque forme que ce soit sans autorisation écrite du propriétaire. Propriété de FCI. Droits de reproduction FCI.

All rights strictly reserved. Reproduction or issue to third parties in any form whatsoever is not permitted without written authority from the proprietor. Property of FCI. Copyright FCI.

PRODUCT NUMBER
SEE TABLE



mat'l. code				tolerances unless otherwise specified				CUSTOMER COPY		FCI Electronics www.fciconnect.com	
ltr	ecn no	dr	date	linear	.XX ±.01	projection	 title CAT 5 25 PAIR SHIELDED CONNECTOR ASSEMBLY				
U				linear	.XXX ±.005	INCH					
				linear	.XXXX ±.0020	scale	product family CATEGORY 5		code		
				angles	0° ±2'	1.25:1	size dwg no		sheet		
				dr	J. FALKE 6/24/96		A 92509		2 of		
				engr	P. RYLATT 4/14/97						
				chr	P. RLATT 4/14/97						
				appd	P. RYLATT 4/14/97						
sheet index	revision sheet										

ACAD

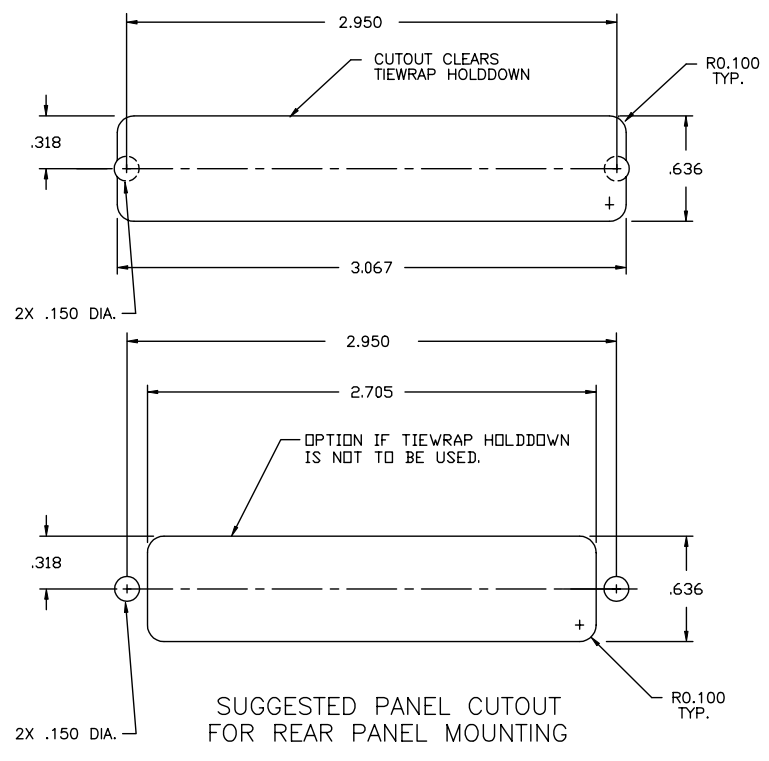
PDM: Rev:V

cage code 22596
STATUS Released

Printed: Ja 18, 2011

All rights strictly reserved. Reproduction or issue to third parties in any form whatsoever is not permitted without written authority from the proprietor. Property of FCI. Copyright FCI.
 Tous droits strictement réservés. Reproduction ou communication à des tiers interdite sous quelque forme que ce soit sans autorisation écrite du propriétaire. Propriété de FCI. Droits de reproduction FCI.

PRODUCT NUMBER
SEE TABLE



- NOTES:
- KEYED VERSION WILL ACCEPT ONLY A CATEGORY 5 PLUG CONNECTOR, THE NON-KEYED VERSION WILL ACCEPT A CATEGORY 3 PLUG CONNECTOR, OR A CATEGORY 5 PLUG CONNECTOR.
 - PCB LAYOUT SHOWN ON SHEETS 4, AND 5 IS RECOMMENDED TO COMPENSATE FOR CROSS TALK FROM THE MATING INTERFACE IN ORDER TO ACHIEVE CATEGORY-5 CROSSTALK PERFORMANCE.
 - SLOTS ALLOW FOR INSERTION OF TIEWRAP TO BE USED FOR LATCHING MECHANISM WHEN ACCESS TO THREADED HOLES IS BLOCKED.
 - MATING SIDE TORQUE LOAD LIMITE : 6 in-lbf MAX. AXIAL LOAD LIMIT: 6 kgf(13 lbf) MAX.
 - TERMINATION SIDE TORQUE LOAD LIMIT 5 IN-lbf MAX.

mat'l. code		tolerances unless otherwise specified		CUSTOMER COPY		 FCI www.fciconnect.com	
ltr	ecn no	dr	date	linear	projection	title	
T				.XX ±.01	 INCH	CAT 5 25 PAIR SHIELDED CONNECTOR ASSEMBLY	
				.XXX ±.005		product family	code
				.XXXX ±.0020	← INCH	CATEGORY 5	—
				angles	← INCH	size	sheet
				dr	scale	92509	3 of
				enqr	1.25:1	dwg no	
				chr		A	
				appd			
sheet index	revision sheet						

1 | 2

3

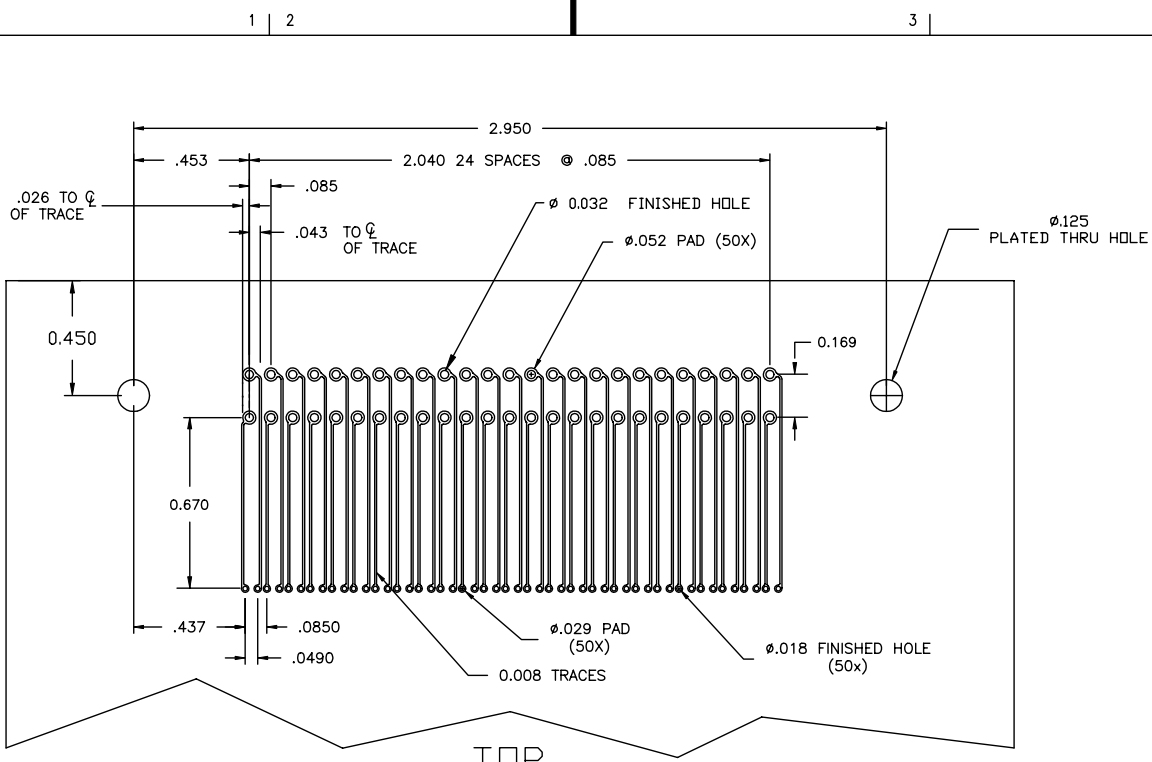
4

ACAD

PDM: Rev:V

cage code 22596
STATUS Released

Printed: Ja 18, 2011



TOP
 PRINTED CIRCUIT BOARD LAYOUT
 SEE NOTE 2

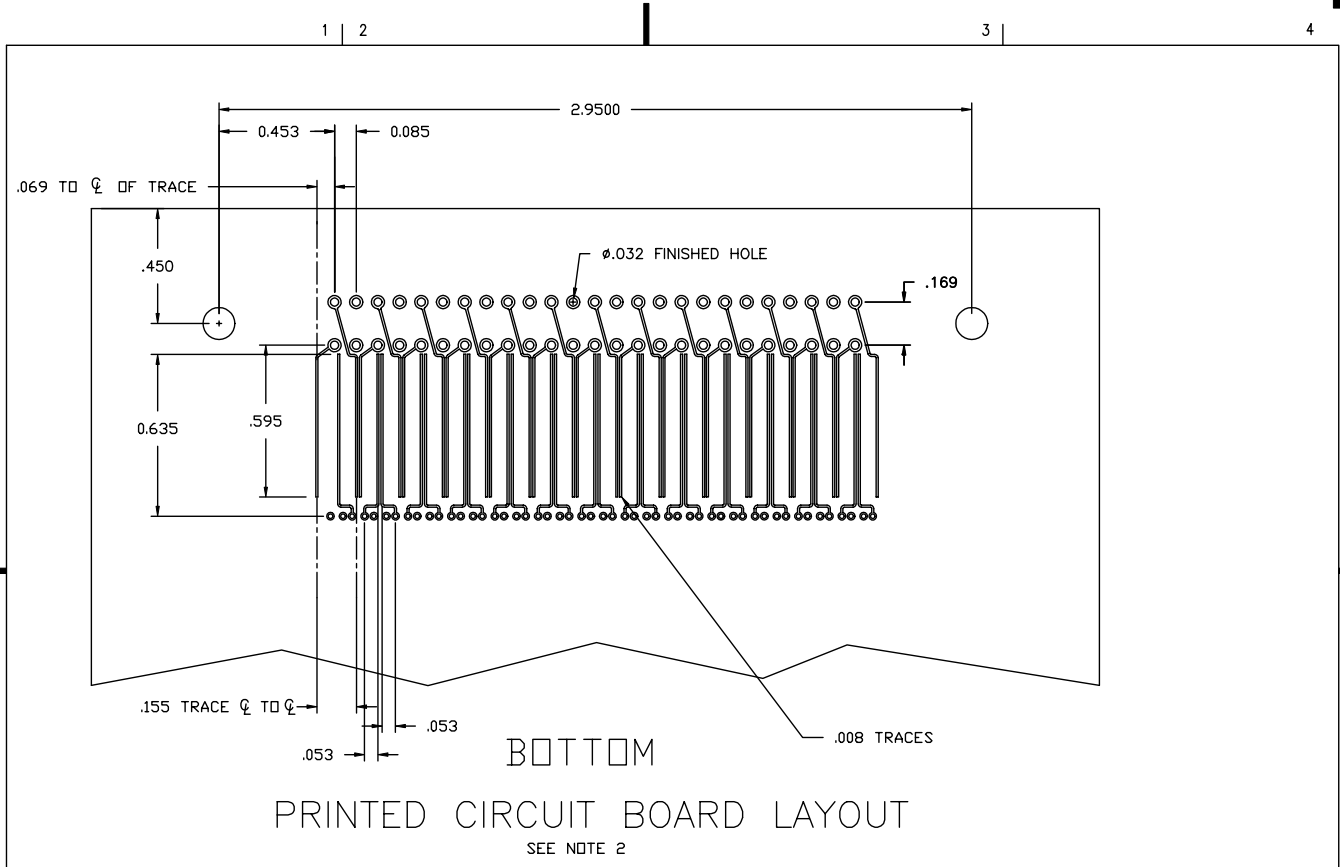
mat'l. code		tolerances unless otherwise specified		CUSTOMER COPY		 FCI www.fciconnect.com	
ltr	ecn no	dr	date	linear	projection	title	
S				.XX ±.01	 INCH	CAT 5 25 PAIR SHIELDED CONNECTOR ASSEMBLY	
				.XXX ±.005		product family	code
				.XXX ±.0020	←	CATEGORY 5	—
				angles	scale	size	sheet
				0° ±2°	1:1	dwg no	4 of
				dr		A	92509
				engr			
				chr			
				appd			
sheet index	revision sheet						

Tous droits strictement réservés. Reproduction ou communication à des tiers interdite sous quelque forme que ce soit sans autorisation écrite du propriétaire. Propriété de FCI. Droits de reproduction FCI.

All rights strictly reserved. Reproduction or issue to third parties in any form whatsoever is not permitted without written authority from the proprietor. Property of FCI. Copyright FCI.

Tous droits strictement réservés. Reproduction ou communication à des tiers interdite sous quelque forme que ce soit sans autorisation écrite du propriétaire. Propriété de FCI. Droits de reproduction FCI.

All rights strictly reserved. Reproduction or issue to third parties in any form whatsoever is not permitted without written authority from the proprietor. Property of FCI. Copyright FCI.



BOTTOM
PRINTED CIRCUIT BOARD LAYOUT
SEE NOTE 2

mat'l. code		tolerances unless otherwise specified		CUSTOMER COPY		 FCI www.fciconnect.com	
ltr	ecn no	dr	date	linear	projection	title	
S				.XX ±.01	 INCH	CAT 5 25 PAIR SHIELDED CONNECTOR ASSEMBLY	
				.XXX ±.005		product family	CATEGORY 5
				.XXX ±.0020	scale	size	dwg no
				angles	1:1	A	92509
				dr			sheet
				engr			5 of
				chr			
				appd			
sheet index	revision sheet						