

# Board to Board Connectors

## CHAMP 050 Series Connectors—Series I

### For Board to Board Connection

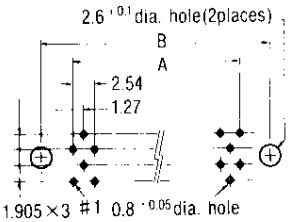
#### Plug Header for Vertical Mount Type With Retention Leg

##### Material and Finish:

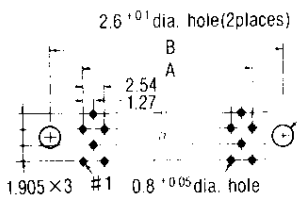
Contacts—Phosphor bronze, duplex plated gold (see table) on contact area,  $1\mu\text{m}$  min. tin-lead or tin on post area, with entire contact underplated  $1\mu\text{m}$  min. nickel  
 Housing—UL94V-0 rated, glass-filled 6/6 nylon, black  
 Retention Leg—Brass,  $2\mu\text{m}$  min. tin-lead or tin over underplated  $1.3\mu\text{m}$  min. nickel

#### PC Board Layout

(Required for solder resist on surface of PC board)  
 (Connector mount side)



**20, 40, 60, 68, 80, 100 and 120 Positions**

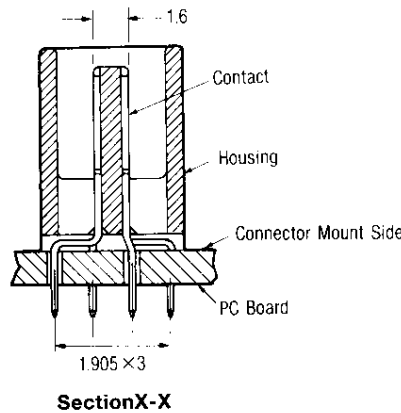
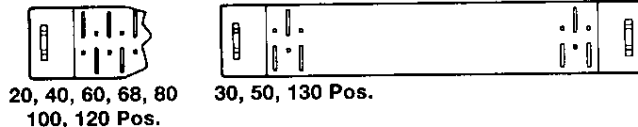
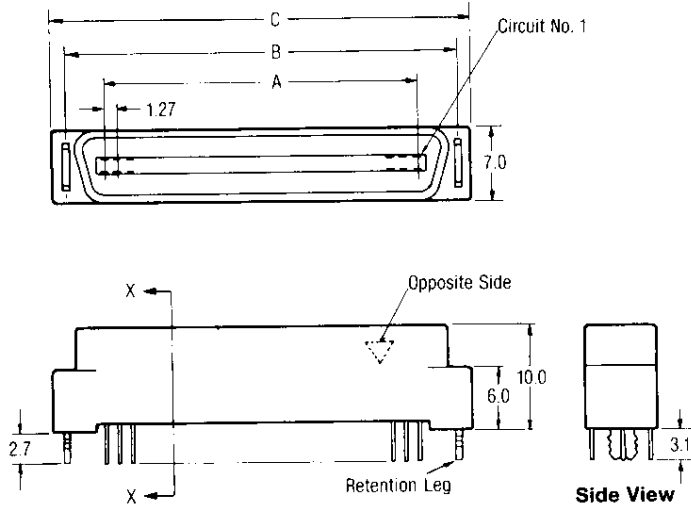


**30, 50, 130 Positions**

\* Used with VESA specifications 68-position receptacle assembly.

\*\* Used with VESA specifications 80-position receptacle assembly.

Note: For details on 140-through 200-position assemblies, or when requiring heat resistant material, see our catalog 82244.



No. of Pos.	Dimensions			Part Number		
	A	B	C	0.2 $\mu\text{m}$ thk. gold plated	0.5 $\mu\text{m}$ thk. gold plated	0.76 $\mu\text{m}$ thk. gold plated
20	11.43	21.40	24.1	175473-1	3-175473-1	5-175473-1
30	17.78	27.75	30.4	175473-3	3-175473-3	5-175473-3
40	24.13	34.10	36.8	175473-5	3-175473-5	5-175473-5
50	30.48	40.45	43.1	175473-6	3-175473-6	5-175473-6
60	36.83	46.80	49.5	175473-7	3-175473-7	5-175473-7
68*	41.91	51.88	54.5	175473-8	3-175473-8	5-175473-8
80**	49.53	59.50	62.2	175473-9	3-175473-9	5-175473-9
100	62.23	72.20	74.9	1-175473-0	4-175473-0	6-175473-0
120	74.93	84.90	87.6	1-175473-1	4-175473-1	6-175473-1
130	81.28	91.25	93.9	1-175473-2	4-175473-2	6-175473-2