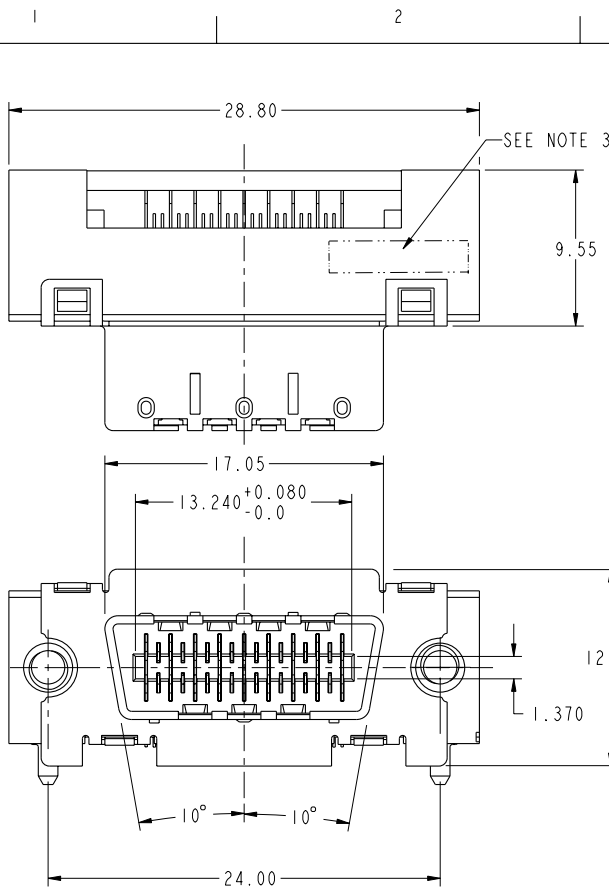
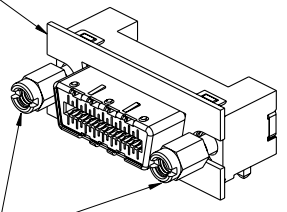




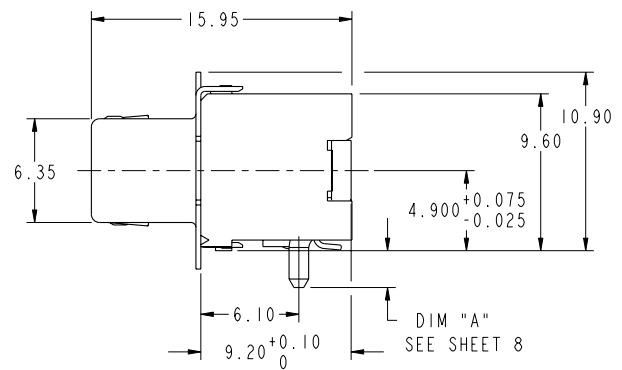
Copyright FCI.



AVAILABLE WITH OR WITHOUT EMI GASKET.  
 FOAM GASKET P/N 10019396-001 CAN BE PURCHASED SEPARATELY.  
 METAL GASKET P/N 10043517 MUST BE PURCHASED ALREADY ASSEMBLED.



P/N 10009634-001, 2X THREADED STANDOFFS SOLD SEPARATELY



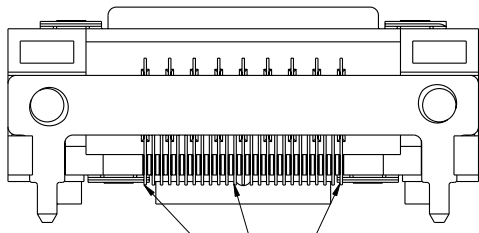
rev	ecn no	dr	date
D	V04-0460	DAI	2004/06/08
E	V04-0830	TAB	2004/08/18
F	V04-1005	DAI	2004/10/06
G	V05-0063	TAB	2005/02/14
H	105-0141	HVN	2005/08/12
J	06-0123	HVN	2006/07/26
K	08-0048	RPK	2008/03/28

www.fciconnect.com		surface 3.2 / ASME Y14.5	tolerance std ASME Y14.5	projection	MM
Dr G. PETERS 2003/08/13		ANGULAR	0.X ±.30	size A4	Scale 3:1
Eng D. BRANN 2003/08/13		LINEAR	0.XX ±.10	ECN 108-0048	
Chr RAMESH P K 2008/03/27		0° ±2°	0.XXX ±.050	Spec ref	
Appr RAMESH P K 2008/03/27		Product family EyeMax (Im)			
FCI		4X R/A THUMBSCREW RECPT ASSEMBLY, w/ 7 KEY SLOTS		diag no 10009629	Rev. K
catalog no		CUSTOMER		sheet 1 of 9	

REV F - 2004-04-17



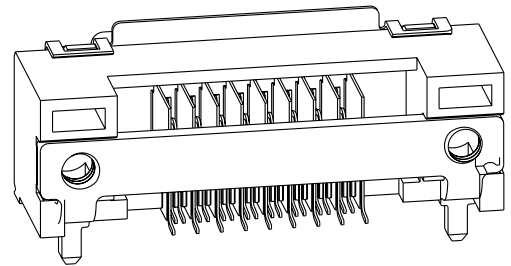
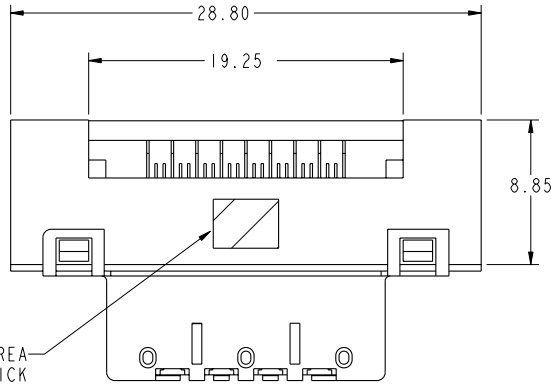
Copyright FCI.



0.13 D

COPLANARITY MEASUREMENT TO BE TAKEN AT THE BOTTOM MOST POINT ON CONTACT TAILS  
COPLANARITY ZONE IS BELOW DATUM D.

CROSS HATCH AREA IS FOR VACUUM PICK & PLACE REF. ONLY

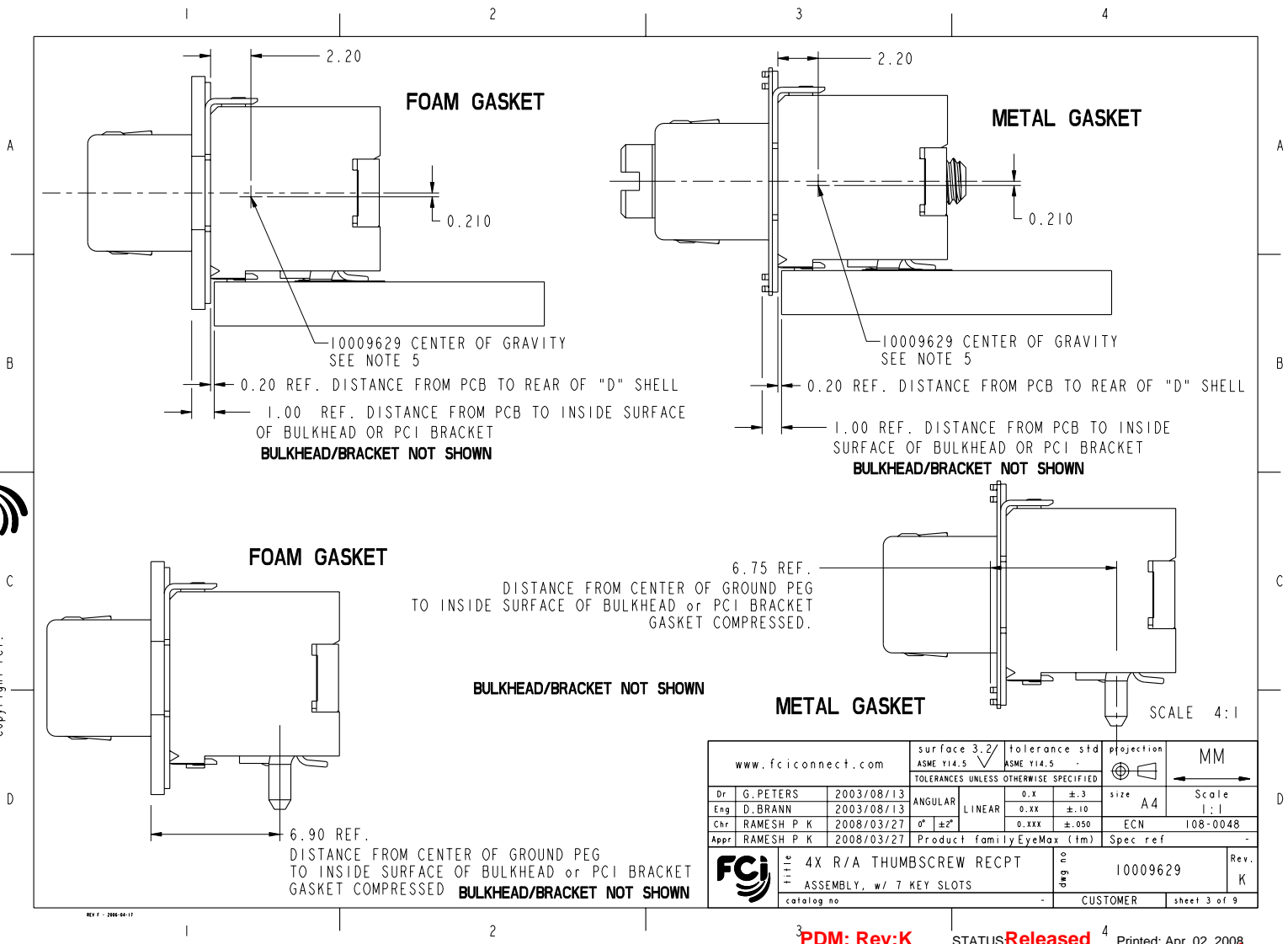


www.fciconnect.com		surface 3.2 ASME Y14.5	tolerance std ASME Y14.5	projection MM	Scale 3:1
TOLERANCES UNLESS OTHERWISE SPECIFIED		ANGULAR	LINEAR	size A4	ECN 108-0048
Dr G. PETERS	2003/08/13	0.X	±.30		
Eng D. BRANN	2003/08/13	0.XX	±.10		
Chr RAMESH P K	2008/03/27	0° ±2°	0.XXX ±.050		
Appr RAMESH P K	2008/03/27	Product family EyeMax (Im)		Spec ref	-
FCI		4X R/A THUMBSCREW RECPT ASSEMBLY, w/ 7 KEY SLOTS		10009629	Rev. K
catalog no		CUSTOMER		sheet 2 of 9	

REV F - 2006-04-17



Copyright FCI.



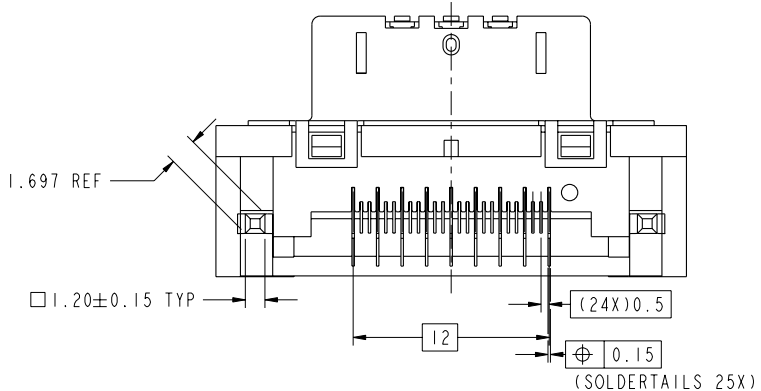
REV F - 2008-03-27

www.fciconnect.com		surface 3.2/ ASME Y14.5	tolerance std ASME Y14.5	projection MM
		TOLERANCES UNLESS OTHERWISE SPECIFIED		←
Dr	G. PETERS	2003/08/13	ANGULAR	LINEAR
Eng	D. BRANN	2003/08/13	0.X ±.3	0.XX ±.10
Chr	RAMESH P K	2008/03/27	0° ±2°	0.XXX ±.050
Appr	RAMESH P K	2008/03/27	Product family EyeMax (Im)	
Title				size A4
4X R/A THUMBSCREW RECPT ASSEMBLY, w/ 7 KEY SLOTS				Scale 1:1
catalog no				ECN 108-0048
-				Spec ref -
-				Rev. K
-				10009629
CUSTOMER				sheet 3 of 9

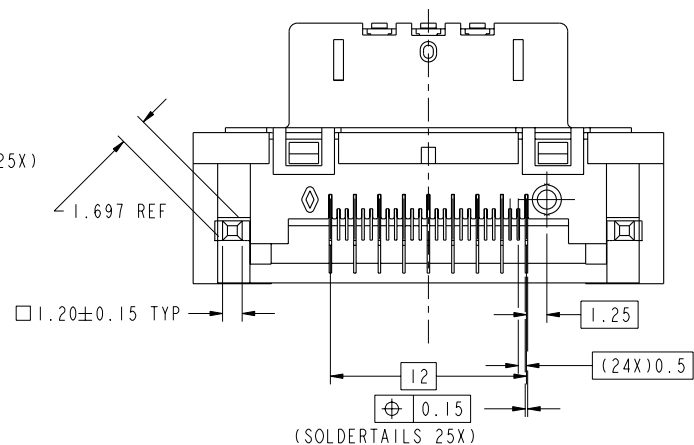


Copyright FCI.

REV 1 - 2006-03-17



10009629-1XX0XX PRODUCT WITHOUT PEGS

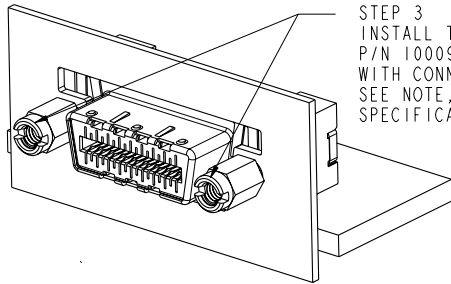


10009629-1XX1XX PRODUCT WITH PEGS

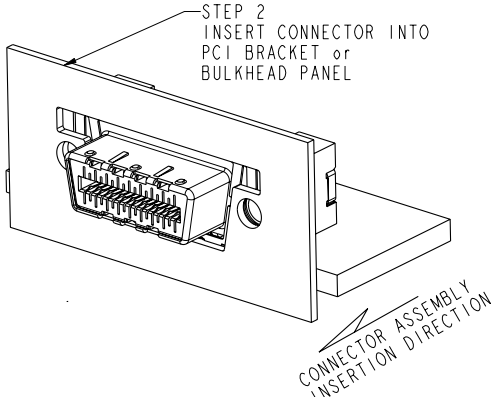
www.fciconnect.com		surface 3.2 ASME Y14.5	tolerance std ASME Y14.5	projection MM
TOLERANCES UNLESS OTHERWISE SPECIFIED		ANGULAR	LINEAR	size A4
Dr G. PETERS	2003/08/13	0° ± 2°	0.X ± .3	Scale 3:1
Eng D. BRANN	2003/08/13		0.XX ± .10	ECN 108-0048
Chr RAMESH P K	2008/03/27		0.XXX ± .050	Spec ref -
Appr RAMESH P K	2008/03/27	Product family EyeMax (Im)		
FCI		4X R/A THUMBSCREW RECPT ASSEMBLY, w/ 7 KEY SLOTS		Rev. K
catalog no		-		10009629
		CUSTOMER		sheet 4 of 9



Copyright FCI.

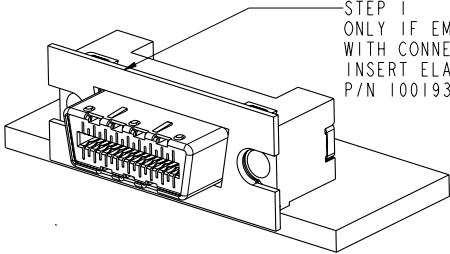


STEP 3  
INSTALL THREADED STANDOFFS  
P/N 10009634-001, NOT SUPPLIED  
WITH CONNECTOR ASSEMBLY  
SEE NOTE, SHEET 8, FOR TORQUE  
SPECIFICATION.



STEP 2  
INSERT CONNECTOR INTO  
PCI BRACKET or  
BULKHEAD PANEL

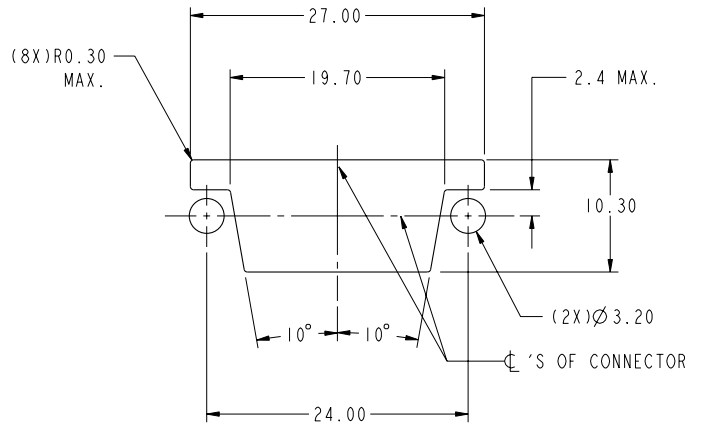
CONNECTOR ASSEMBLY  
INSERTION DIRECTION



STEP 1  
ONLY IF EMI GASKET NOT SUPPLIED  
WITH CONNECTOR ASSEMBLY,  
INSERT ELASTOMERIC EMI GASKET,  
P/N 10019396-001.

CONNECTOR APPLICATION TO PCI BRACKET/PANEL

REV F - 2006-03-17



RECOMMENDED PANEL CUTOUT

www.fciconnect.com			surface 3.2/ ASME Y14.5	tolerance std ASME Y14.5	projection MM
			TOLERANCES UNLESS OTHERWISE SPECIFIED		← →
Dr	G. PETERS	2003/08/13	ANGULAR	0.X ±.30	size A4 Scale 1:1
Eng	D. BRANN	2003/08/13	LINEAR	0.XX ±.10	ECN 108-0048
Chr	RAMESH P K	2008/03/27	0° ±2°	0.XXX ±.050	Spec ref -
Appr	RAMESH P K	2008/03/27	Product family EyeMax (Im)		
FCI			4X R/A THUMBSCREW RECPT ASSEMBLY, w/ 7 KEY SLOTS		Rev. K
catalog no			-		10009629
			CUSTOMER		sheet 5 of 9

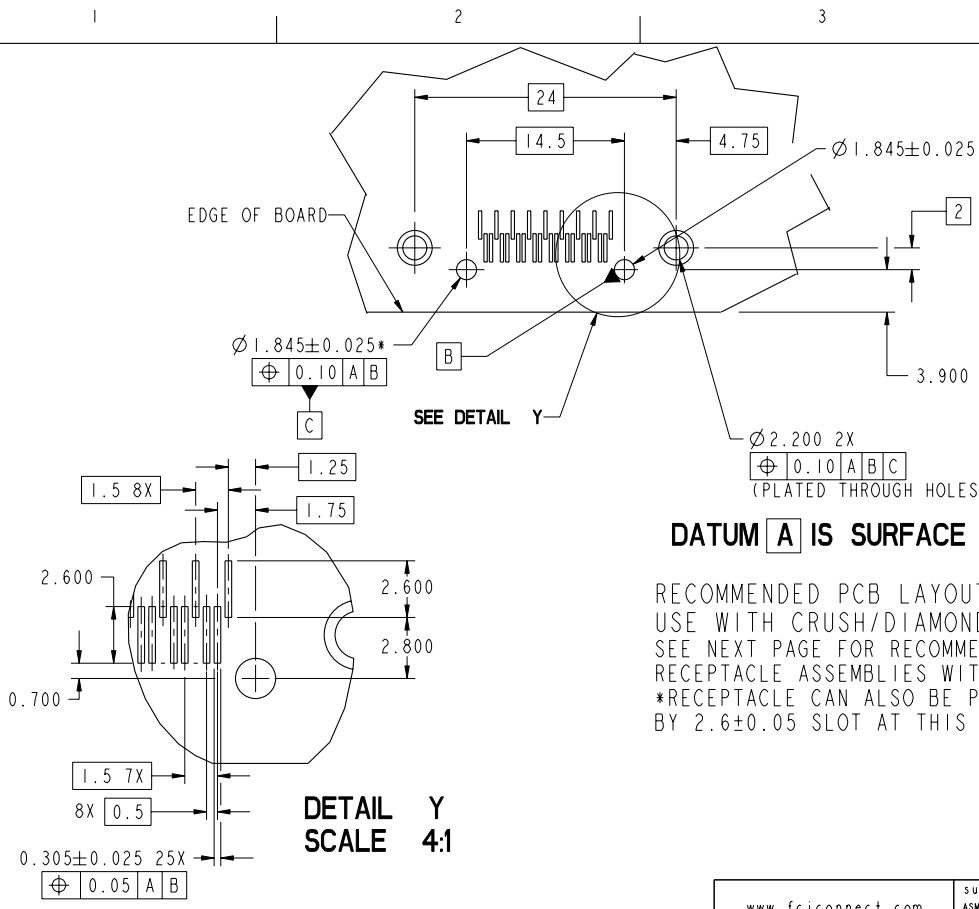
3 PDM: Rev:K

STATUS Released

4 Printed: Apr 02, 2008



Copyright FCI.



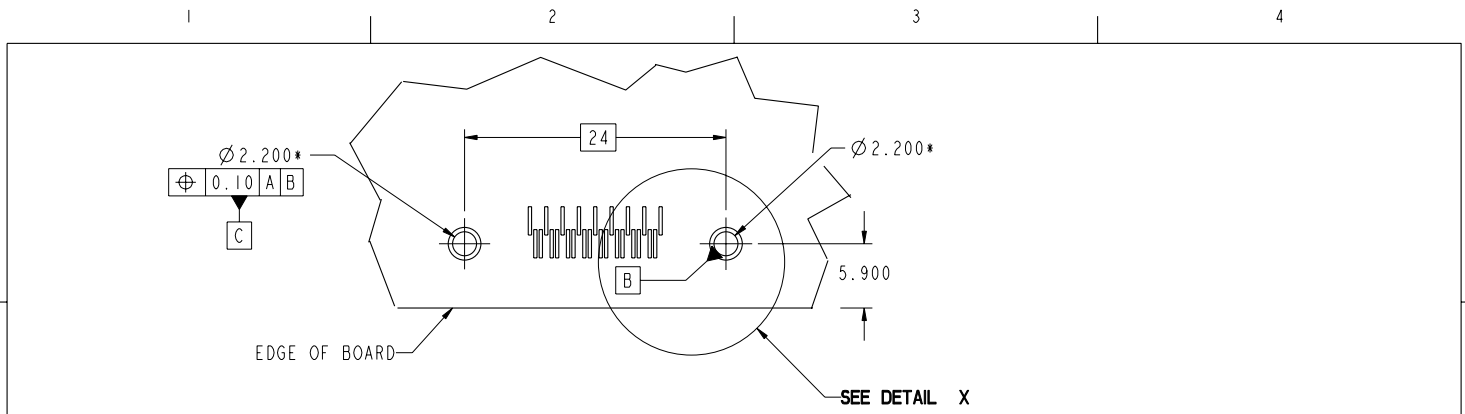
RECOMMENDED PCB LAYOUT, COMPONENT SIDE FOR USE WITH CRUSH/DIAMOND PEGS (10009629-1XX1XX) SEE NEXT PAGE FOR RECOMMENDED PCB LAYOUT FOR RECEPTACLE ASSEMBLIES WITHOUT CRUSH/DIAMOND PEGS. \*RECEPTACLE CAN ALSO BE PLACED WITH 1.82±0.05/-0.0 BY 2.6±0.05 SLOT AT THIS LOCATION ON THE PCB

www.fciconnect.com		surface 3.2/ ASME Y14.5	tolerance std ASME Y14.5	projection MM
Dr G. PETERS 2003/08/13		TOLERANCES UNLESS OTHERWISE SPECIFIED		Scale 1:1
Eng D. BRANN 2003/08/13	ANGULAR	0.X ±.30	size A4	ECN 108-0048
Chr RAMESH P K 2008/03/27	LINEAR	0.XX ±.10	Product family EyeMax (Im)	Spec ref -
Appr RAMESH P K 2008/03/27	0° ±2°	0.XXX ±.050	Rev. K	10009629
FCI	4X R/A THUMBSCREW RECPT ASSEMBLY, w/ 7 KEY SLOTS	catalog no	CUSTOMER	sheet 6 of 9

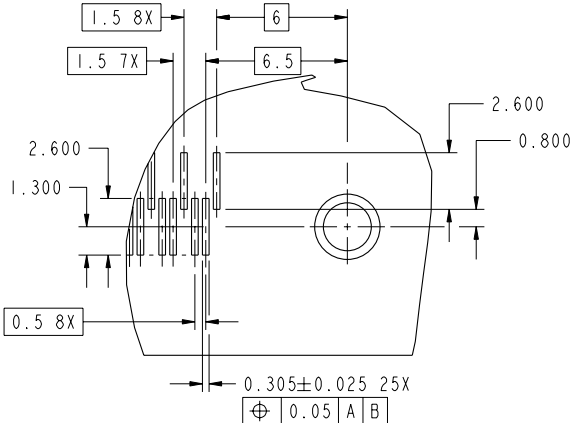
REV F - 2006-04-17



Copyright FCI.



DATUM **A** IS SURFACE OF PCB



DETAIL X  
SCALE 4:1

RECOMMENDED PCB LAYOUT, COMPONENT SIDE FOR USE WITHOUT CRUSH/DIAMOND PEGS (10009629-1XX0XX)  
SEE PREVIOUS PAGE FOR RECOMMENDED PCB LAYOUT FOR RECEPTACLE ASSEMBLIES WITH CRUSH/DIAMOND PEGS.  
\*PLATED THROUGH HOLES

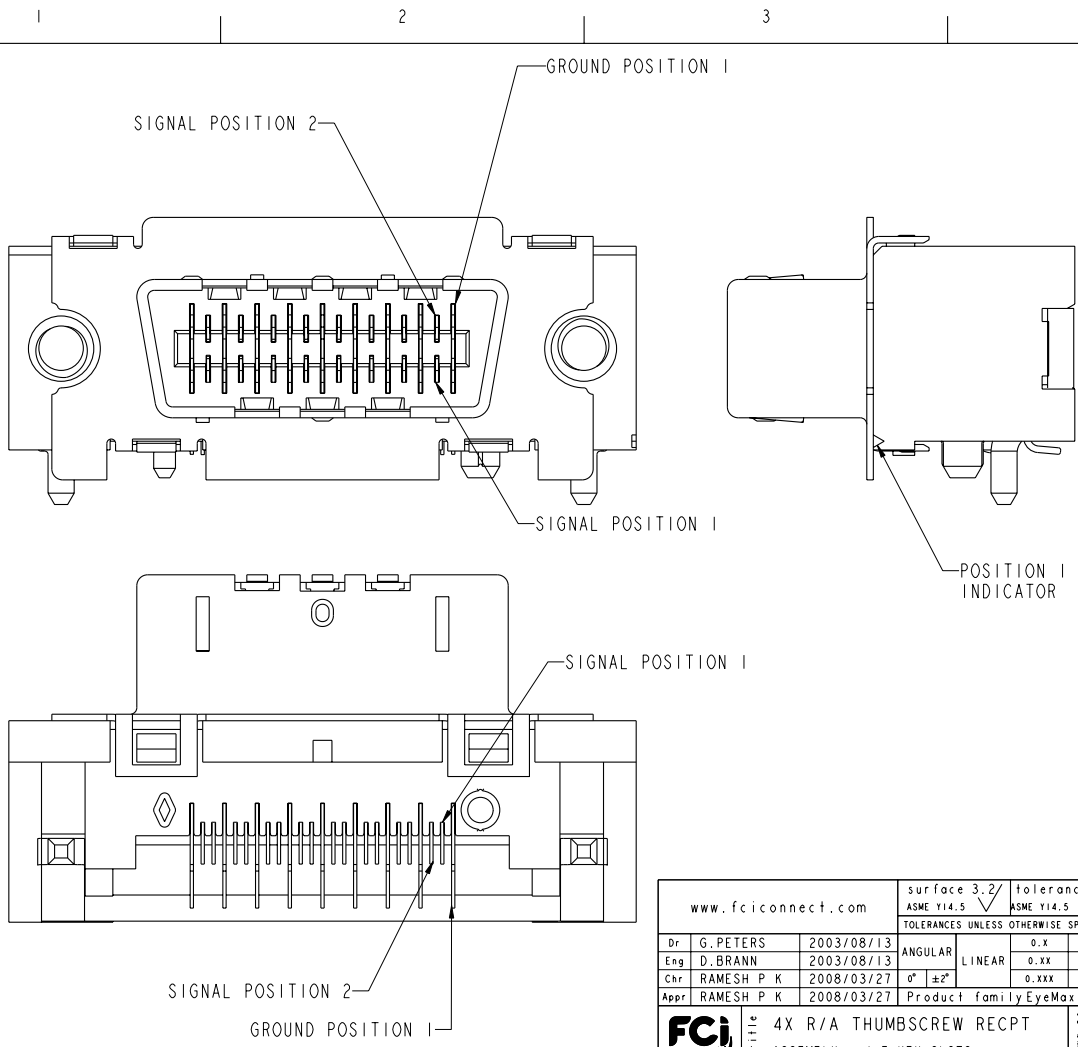
www.fciconnect.com		surface 3.2 ASME Y14.5	tolerance std ASME Y14.5	projection MM
TOLERANCES UNLESS OTHERWISE SPECIFIED		ANGULAR	LINEAR	size A4
Dr G. PETERS	2003/08/13	0° ± 2°	0.X ± .30	Scale 1:1
Eng D. BRANN	2003/08/13	0.XX ± .10	0.XXX ± .050	ECN 108-0048
Chr RAMESH P K	2008/03/27	Product family EyeMax (Im)	Spec ref	-
Appr RAMESH P K	2008/03/27	FCI		Rev. K
Title 4X R/A THUMBSCREW RECP ASSEMBLY, w/ 7 KEY SLOTS		cat no	10009629	sheet 7 of 9

REV 1 - 2006-04-17



Copyright FCI.

REV 1 - 2006-03-17



www.fciconnect.com		surface 3.2 ASME Y14.5	tolerance std ASME Y14.5	projection MM
TOLERANCES UNLESS OTHERWISE SPECIFIED		ANGULAR	LINEAR	size A4
Dr	G. PETERS	2003/08/13	0.X ±.30	Scale 1:1
Eng	D. BRANN	2003/08/13	0.XX ±.10	ECN 108-0048
Chr	RAMESH P K	2008/03/27	0°. ±2°	0.XXX ±.050
Appr	RAMESH P K	2008/03/27	Product family EyeMax (Im)	Spec ref -
FCI		4X R/A THUMBSCREW RECPT ASSEMBLY, w/ 7 KEY SLOTS		Rev. K
catalog no		-		10009629
-		CUSTOMER		sheet 8 of 9

3 PDM: Rev:K STATUS Released 4 Printed: Apr 02, 2008



PRODUCT NUMBER  
10009629-1XXXXX

10009629-1XXXXXX

- SOLDERTAIL PLATING  
BLANK-TIN-LEAD  
LF-LEAD FREE (SEE NOTE 2)
- KEYING OPTIONS  
0-NONE
- PACKAGING  
1-TAPE & REEL  
2-TRAY  
3-TAPE & REEL WITH THREADED STAND-OFFS INCLUDED  
(PACKAGED SEPERATELY). 2 PER CONNECTOR.  
4-TRAY WITH THREADED STAND-OFFS INCLUDED  
(PACKAGED SEPERATELY). 2 PER CONNECTOR.
- PEGS  
0-NONE  
1-CRUSH/DIAMOND PEGS
- PCB THICKNESS  
1-1.6mm  
2-2.4mm  
3-4.0mm
- EMI GASKET  
0-WITH FOAM GASKET  
1-WITHOUT GASKET  
2-WITH METAL GASKET (NOT TOOLED)
- PLATING  
GOLD OVER NICKEL IN CONTACT AREA

CONNECTOR NOTES:

1. HOUSING MATERIAL: UL94 V-0 LCP RESIN.  
SIGNAL PIN MATERIAL: COPPER ALLOY.  
GROUND CONTACT MATERIAL: COPPER ALLOY.
2. PLATING: LEAD FREE SOLDER TAILS 2μm (80μin) MIN MATTE TIN  
OVER 1.27μm (50μin) MIN NICKEL UNDERPLATE.
3. P/N AND DATE CODE TO APPEAR  
ON THIS SURFACE.
4. PRODUCT SPECIFICATION GS-12-209.  
APPLICATION SPECIFICATION GS-20-025.
5. CONNECTOR WEIGHT = 5.465 grams
6. PACKAGING SPECIFICATION GS-14-794. PACKAGING OF LEAD FREE  
PRODUCTS MEETS LABELING AND PACKAGING SPECIFICATION GS-14-920.
7. MAXIMUM PANEL THICKNESS 1.70mm
8. MAXIMUM TORQUE 0.45 N-m (4.0 lbf-in)

PCB NOTES:

9. ALL DIMENSIONS ARE BASIC UNLESS OTHERWISE  
SPECIFIED.
10. ALL HOLE DIAMETERS ARE FINISHED HOLE SIZE
11. MATES WITH EYEMAX® PLUG 58443 (WITHOUT PCB), 58638  
(WITH UNEQUALIZED PCB) OR 10026692 (WITH EQUALIZED PCB).
12. LEAD FREE PRODUCTS MEET EUROPEAN UNION DIRECTIVES AND  
OTHER COUNTRY REGULATIONS AS DESCRIBED IN GS-22-008.
13. THE HOUSING WILL WITHSTAND EXPOSURE TO 260°C PEAK TEMPERATURE  
FOR 15 SECONDS IN A CONVECTION, INFRARED OR VAPOR PHASE REFLOW  
OVEN.

PRODUCT NUMBER	BOARD THICKNESS	DIM A
10009629-1X1XXX	1.6mm	2.3mm
10009629-1X2XXX	2.4mm	3.1mm
10009629-1X3XXX	4.0mm	4.7mm

www.fciconnect.com		surface 3.2/ ASME Y14.5	tolerance std ASME Y14.5	projection MM
		TOLERANCES UNLESS OTHERWISE SPECIFIED		
Dr	G. PETERS	2003/08/13	ANGULAR	0.X ±.30
Eng	D. BRANN	2003/08/13	LINEAR	0.XX ±.10
Chr	RAMESH P K	2008/03/27	0° ±2°	0.XXX ±.050
Appr	RAMESH P K	2008/03/27	Product family	EyeMax (Im)
FCi		4X R/A THUMBSCREW RECPT ASSEMBLY, w/ 7 KEY SLOTS		Rev. K
catalog no		-		sheet 9 of 9
		-		CUSTOMER

REV F - 2006-04-17

3 PDM: Rev:K

4 STATUS Released

Printed: Apr 02, 2008



Copyright FCI.