

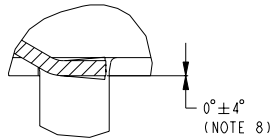
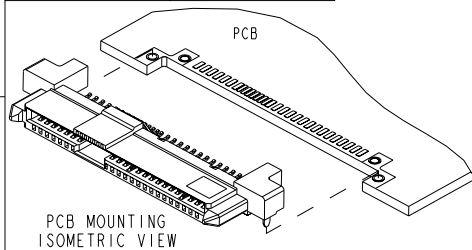
PRODUCT NO.	PACKAGING
10036587-001LF	TRAY
10036587-001TRLF	TAPE & REEL
10036587-002LF	TRAY
10036587-002TRLF	TAPE & REEL
10036587-003LF	TRAY

A

B

C

D



NOTES:-

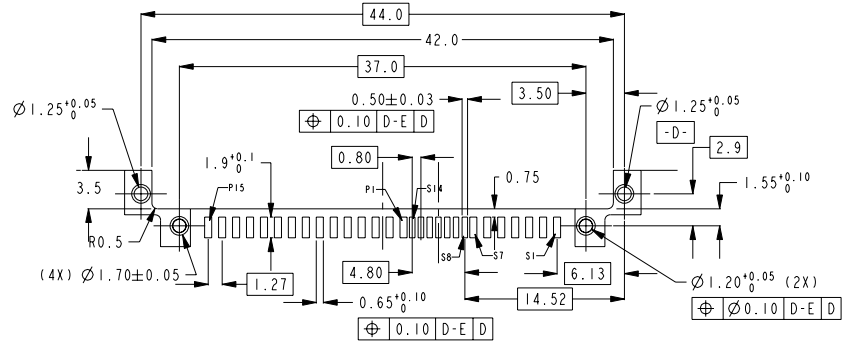
- MATERIAL:
 - HOUSING : HIGH TEMP. THERMOPLASTIC, 94V-0, COLOR: BLACK
 - TERMINAL : COPPER ALLOY
 - HOLD DOWN: COPPER ALLOY
- FINISH:
 - TERMINAL : 30u" Au PLATING (CONTACT POINT) OVER 50u" MIN NICKEL
 - SOLDER TAIL: 100u" MIN TIN OVER 50u" MIN NICKEL
 - HOLD DOWN : 100u" MIN TIN OVER 50u" MIN NICKEL
- PACKAGING:
 - 10036587-XXXLF : REFER TO STANDARD PACKAGING IN TRAY
 - 10036587-XXXTRLF: REFER TO TAPE AND REEL PACKAGING
- THE HOUSING WILL WITHSTAND EXPOSURE TO 260 DEGREES CELSIUS PEAK TEMPERATURE FOR 10 SECONDS IN A CONVECTION, INFRE-RED OR VAPOUR PHASE REFLOW OVEN
- THIS PRODUCT MEETS EUROPEAN UNION DIRECTIVES AND OTHER COUNTRY REGULATIONS AS DESCRIBED IN GS-22-008
- PART NUMBERS ENDING IN "LF" MEANS FOR NOTE 5 LEAD FREE IDENTIFICATION, P/N XXXXXXXX-XXXLF IS EQUIVALENT TO PREVIOUS P/N XXXXXXXX-XXX
- ALL SOLDER TAIL TO BE WITHIN 0.10mm, MAX COPLANARITY.
- ALL SOLDER TAILS ANGLE CONTROL SHALL BE 0° ±4° AND APPLIED TO P/N 10036587-XXXLF.
- A SYMBOL BE NEXT TO ANY DIMENSION, VIEW, OR NOTE WHICH HAS) BEEN MODIFIED WITH THE CURRENT DRAWING REVISION.

REV 1 - 2004-04-17

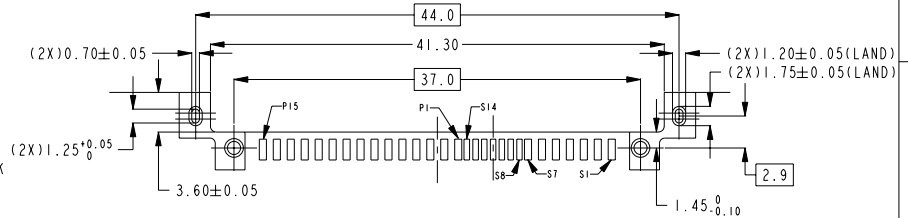
2

3

4



RECOMMENDED PCB LAYOUT

RECOMMENDED PCB T: 1.6mm
TOLERANCE UNLESS OTHERWISE: ±0.1

ALTERNATIVE PCB LAYOUT

REFER TO ABOVE RECOMMENDED PCB LAYOUT FOR UNSPECIFIED DIMENSIONS
RECOMMENDED PCB T: 1.6mm
TOLERANCE UNLESS OTHERWISE: ±0.1

rev	ecn no	dr	date	Dr	Chr	Appr	Product family	surface	tolerance std	projection	MM		
J	S08-0359	BLIM	2008-10-31	JOYCE PEH	2004-08-23	BL LIM	2009-05-27	ANGULAR	ASME Y14.5	0.x	±0.25	size A4	Scale 2:1
K	S09-0177	BLIM	2009-05-27	BL LIM	2009-05-27	BL LIM	2009-05-27	LINEAR	ASME Y14.5	0.xx	±0.2	ECN S09-0177	
D	S06-0010	TECS	2006-01-09	JOEY NG	2009-05-27	JOEY NG	2009-05-27	0° ±0.2°	TOLERANCES UNLESS OTHERWISE SPECIFIED	0.xxx	±	Spec ref	
E	S06-0205	JTAN	2006-06-13										
F	S07-0007	TAY	2007-01-08										
G	S07-0159	TAY	2007-05-11										
H	S08-0136	TAY	2008-05-06										

SAS RECEPTACLE
R/A SMT ASSY
catalog no10036587
CUSTOMER
sheet 1 of 3

Rev. K

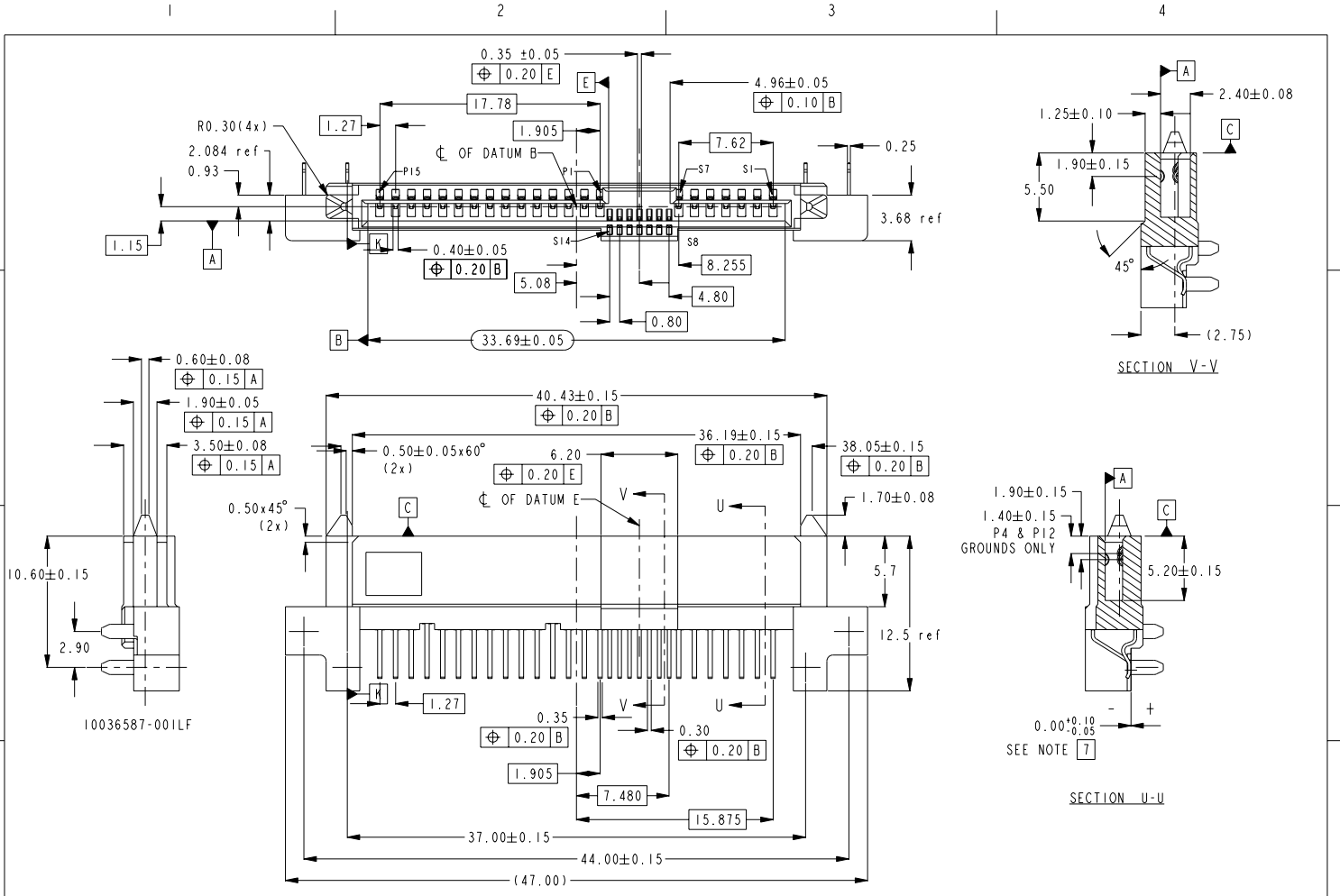
PDM: Rev:K

STATUS:Released⁴ Printed: Dec 01, 2010

2



Copyright FCI.



REV: 2008-01-17

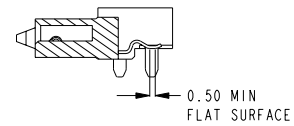
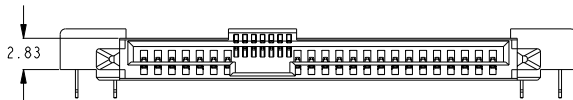
	title	SAS RECEPTACLE	dwg no	10036587	Rev.	K
	description	R/A SMT ASSY	customer	CUSTOMER	sheet	2 of 3
	catalog no					

PDM: Rev:K STATUS:Released 4 Printed: Dec 01, 2010

1 2 3 4

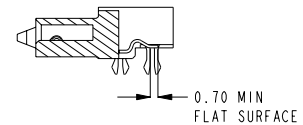
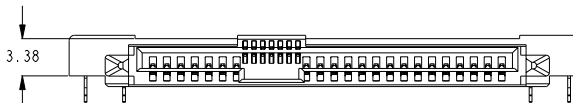
A

10036587-001LF



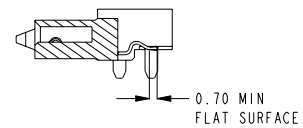
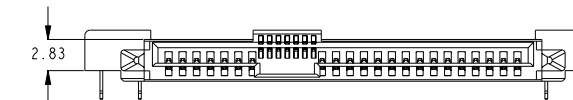
B

10036587-002LF



C

10036587-003LF



D

UNSPECIFIED DIMENSIONS PLEASE REFER TO PAGE 1 & 2



Copyright FCJ.

REV 1 - 2004-04-07

	title	SAS RECEPTACLE	dwg no	10036587	Rev.	K
		R/A SMT ASSY				
	catalog no		CUSTOMER	sheet 3 of 3		

PDM: Rev:K STATUS:Released⁴ Printed: Dec 01, 2010