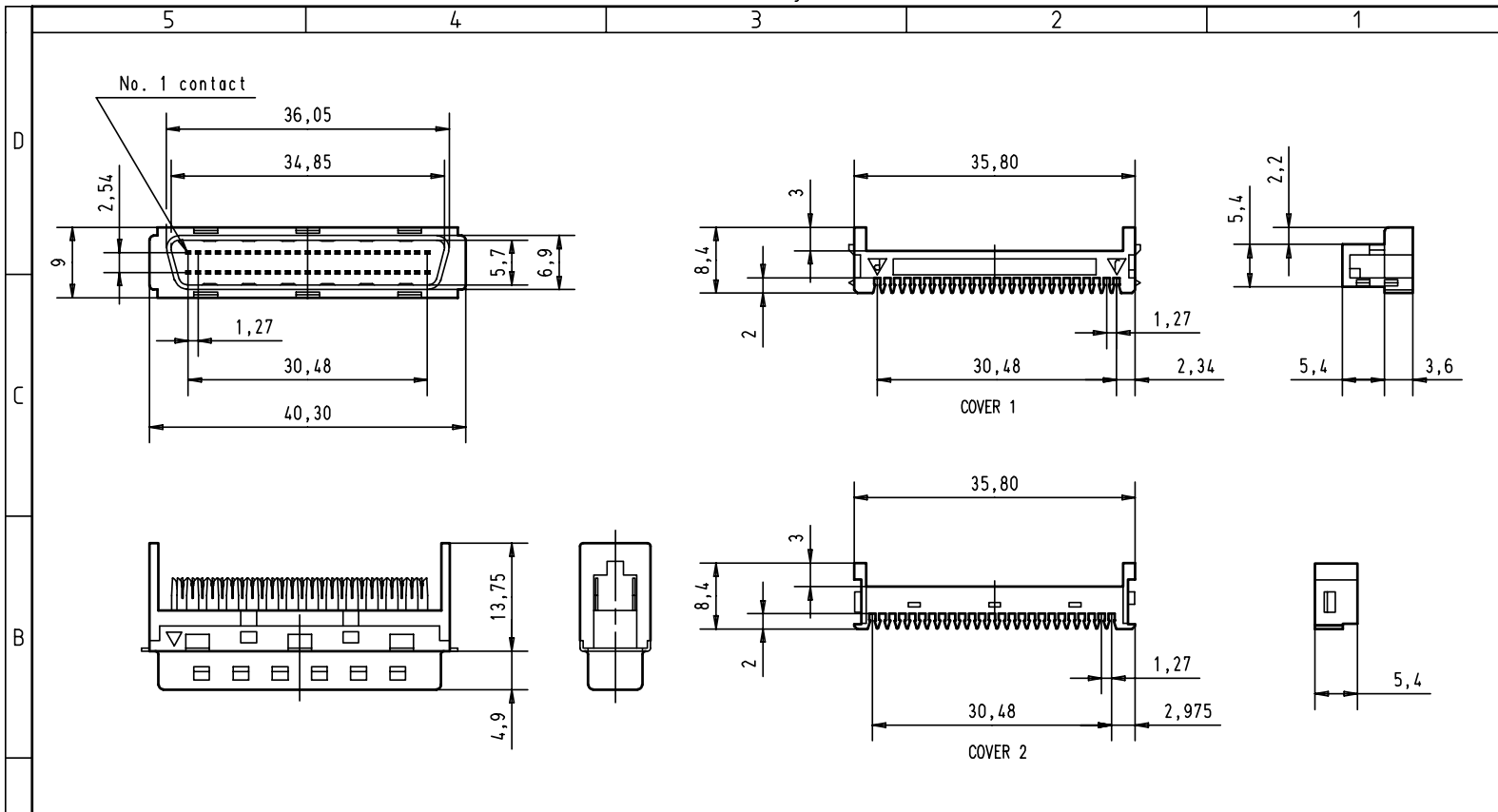


Alle Rechte vorbehalten / All rights reserved



| | | | | | | | | | | | |
|----------------|--|------------------------|--|-------|--|----------------------------|--|--------------------|--|-----------------------------|--|
| | | | | | | | | | | | |
| 60 03 050 5220 | | 0,80 to 0,88 | | | | | | har.mik® | | I/O pin/socket | |
| 60 03 050 5210 | | 0,65 to 0,80 | | | | Detail. 30-AUG-00 Alsplace | | All Dim. in mm | | IDC male 50 poles connector | |
| 60 03 050 5200 | | 0,50 to 0,65 | | | | Insp. | | Orig. Size DIN A 4 | | 1,5:1 | |
| 60 03 050 5200 | | 0,50 to 0,65 | | | | Stand. | | | | | |
| Part-No. | | cable insulator ϕ | | 27941 | | 30-AUG-00 Alsplace | | HARTING EURL | | TB 60 03 050 52X0 | |
| | | | | Mod. | | Det. | | F-95972 Paris | | Sub. | |
| | | | | | | | | | | Blatt/ Page 1 / 1 | |