

**CHAMP .050 Series I Blindmate,  
Single Connector Attachment (SCA-2) for Fibre Channel** (Continued)

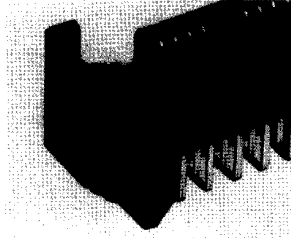
**20-Position Right Angle  
Receptacle Assembly,  
Board-to-Board**

**Part Number 787653-1**

(2.54 mm Tails)

**Part Number 787653-2**

(3.05 mm Tails)

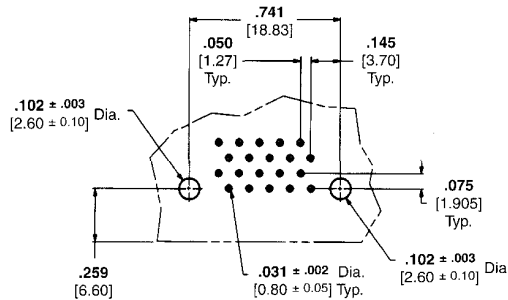
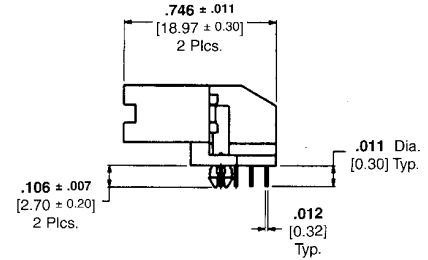
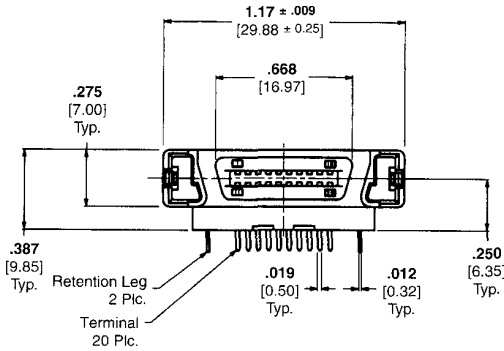
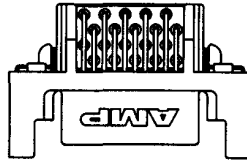


**Material and Finish**

**Housing** — Thermoplastic, 94V-0 rated, black

**Contacts** — Phosphor bronze, plated .000030 [0.00076] min. gold on mating end, .000150 [0.00381] min. tin-lead on solder end, both over .000050 [0.00127] min. nickel underplating

**Retention Leg** — Brass, plated .000150 [0.00381] min. tin-lead over .000050 [0.00127] min. nickel



**Recommended PC Board  
Mounting Dimensions**