

Board to Board Connectors

CHAMP 050 Series Connectors — Series I

For Board to Board Connection

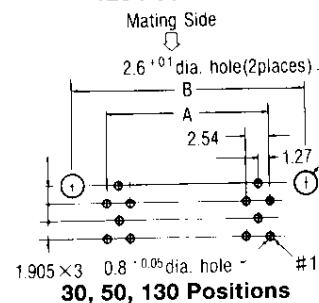
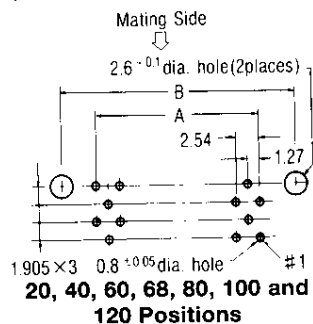
Receptacle Header for Horizontal Mount Type With Retention Leg

Material and Finish:

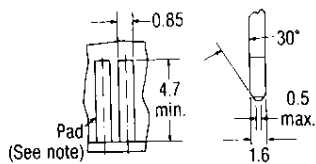
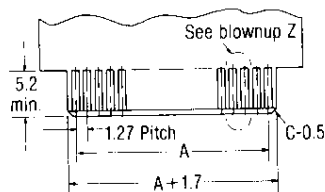
Contacts—Phosphor bronze, duplex plated gold (see table) on contact area, $1\mu\text{m}$ min. tin-lead or tin on post area, with entire contact underplated $1\mu\text{m}$ min. nickel
 Housing—UL94V-0 rated, glass-filled 6/6 nylon, black
 Retention Leg—Brass, $2\mu\text{m}$ min. tin-lead or tin over underplated $1.3\mu\text{m}$ min. nickel.

PC Board Layout

(Required for solder resist on surface of PC board)
 (Connector mount side)

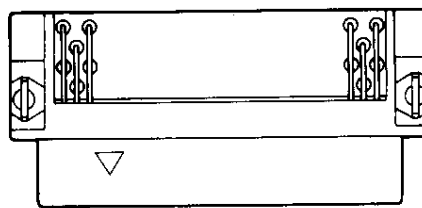


PC Board Edge Mounting Dimension

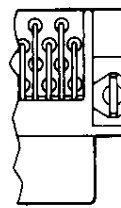


Blowup Z Side View

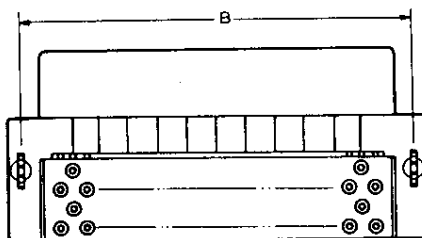
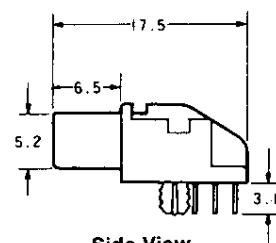
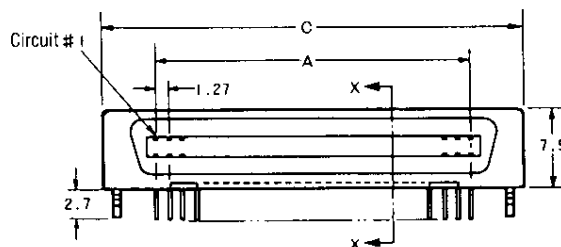
Note: Gold Pated $1.5\mu\text{m}$ min. with underplated nickel.



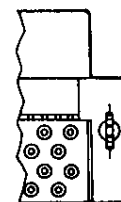
30, 50, 130 Pos.



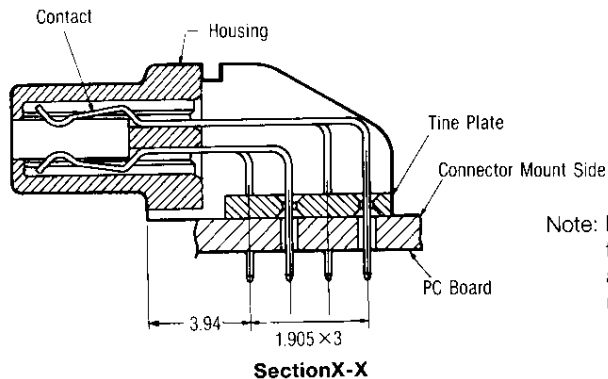
20, 40, 60, 68, 80
 100, 120 Pos.



30, 50, 130 Pos.



20, 40, 60, 68, 80
 100, 120 Pos.



Note: For details on 140-through 200-position assemblies, or when requiring heat resistant material, see our catalog 82244.

No. of Pos.	Dimensions			Part Number		
	A	B	C	0.2 μm thk. gold plated	0.5 μm thk. gold plated	0.76 μm thk. gold plated
20	11.43	18.83	22.6	175474-1	3-175474-1	5-175474-1
30	17.78	25.18	29.0	175474-3	3-175474-3	5-175474-3
40	24.13	31.53	35.3	175474-5	3-175474-5	5-175474-5
50	30.48	37.88	41.7	175474-6	3-175474-6	5-175474-6
60	36.83	44.23	48.0	175474-7	3-175474-7	5-175474-7
68	41.91	49.31	53.1	175474-8	3-175474-8	5-175474-8
80	49.53	56.93	60.7	175474-9	3-175474-9	5-175474-9
100	62.23	69.63	73.4	1-175474-0	4-175474-0	6-175474-0
120	74.93	82.33	86.1	1-175474-1	4-175474-1	6-175474-1
130	81.28	88.68	92.5	1-175474-2	4-175474-2	6-175474-2