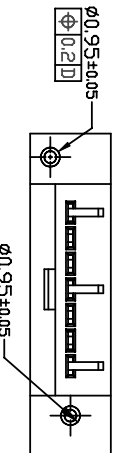
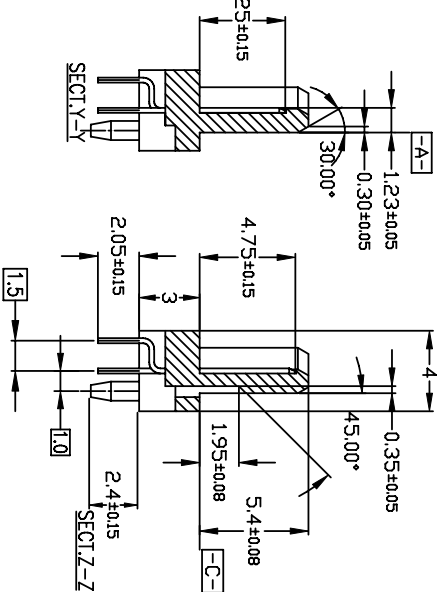
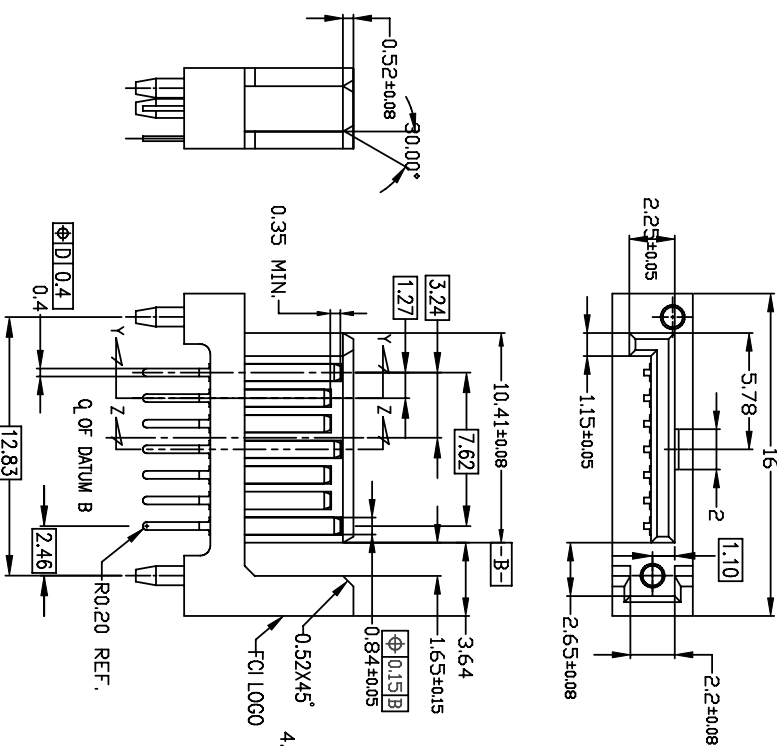


PRODUCT NO.	PLATING AT CONTACT PT	HOUSING COLOR	PLATING AT SOLDER TAIL	HOLD DOWN METAL POST
59333-001	0.38um/150 ² min	BLACK	For part : 59333-xxx (CANCEL)	
59333-101	0.38um/150 ² min	BLUE		
59333-021	0.076um/30 ² min	BLACK	For Leadfree part 59333-xxxLF (CANCEL)	
59333-121	0.076um/30 ² min	BLUE		



- NOTE
- THIS PRODUCT MEETS THE S-ATA SPEC REV. 1.0a
 - MATERIAL
 - HOUSING : HIGH TEMPERATURE THERMOPLASTIC UL94V-0
 - TERMINAL : COPPER ALLOY
 - HOLD DOWN : COPPER ALLOY
 - P/N: 59333-XXX
 - ~~TERMINAL : Au PLATING AT CONTACT POINT (REFER TABLE)~~
 - ~~HOUSING AT SOLDER TAIL WITH NICKEL UNDERPLATE~~
 - ~~Sn PLATING AT SOLDER TAIL WITH NICKEL UNDERPLATE~~
 - ~~Sn PLATING AT SOLDER TAIL WITH NICKEL UNDERPLATE~~
 - P/N: 59333-XXXLF (REFER TO LEADFREE PRODUCT)
 - TERMINAL : Au PLATING AT CONTACT POINT (REFER TABLE)
 - Sn PLATING AT SOLDER TAIL WITH NICKEL UNDERPLATE
 - THE HOUSING WILL WITHSTAND EXPOSURE TO 260°C PEAK TEMPERATURE FOR 10 SECONDS IN A WAVE SOLDER APPLICATION WITH A 1.6mm MINIMUM THICK CIRCUIT BOARD.
 - FOR P/N NO. 59333-XXXLF, THIS PRODUCT MEETS EUROPEAN UNION DIRECTIVES AND OTHER COUNTRY REGULATIONS AS DESCRIBED IN GS-22-008.

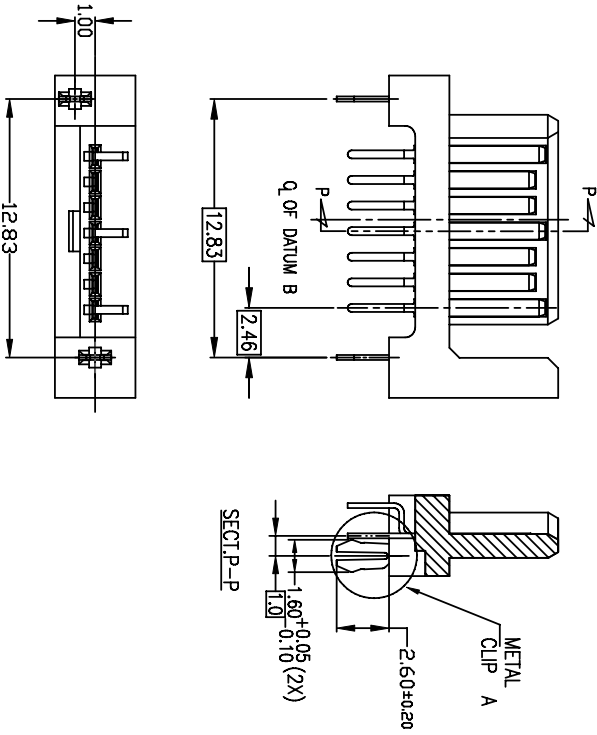
mat'l. code		tolerances unless otherwise specified		CUSTOMER COPY		FCI	
lfr	ecn no.	dr	date	lineor	projection	title	www.fciconnect.com
A	S03-0057	JPEH	04/15/03	.XX ± 0.20		S-ATA SIGNAL PLUG	
B	S03-0162	JPEH	11/03/03	.XXX ± 0.10		DIP VERTICAL TYPE ASSY	
C	S04-0170	JPEH	08/04/04	0° ± 2°			
D	S04-0244	GLL	11/16/04			product family SATA	
E	T08-0189	S.Lin	11/16/06			size dng no 59333	code TWN
sheet	revision	E	E	chr GL 100	pppd	scale N/A	sheet 1 of 1
index	sheet	1	2	chr JOEY NG			

ACCAT

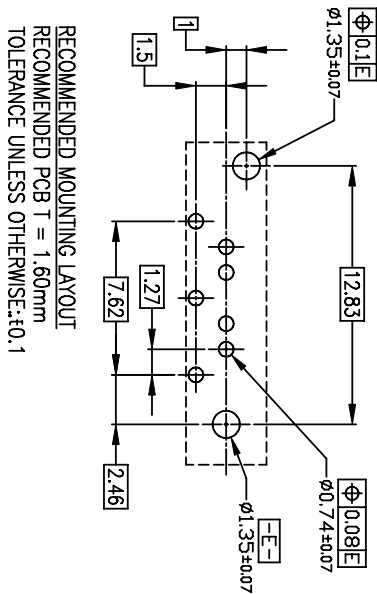
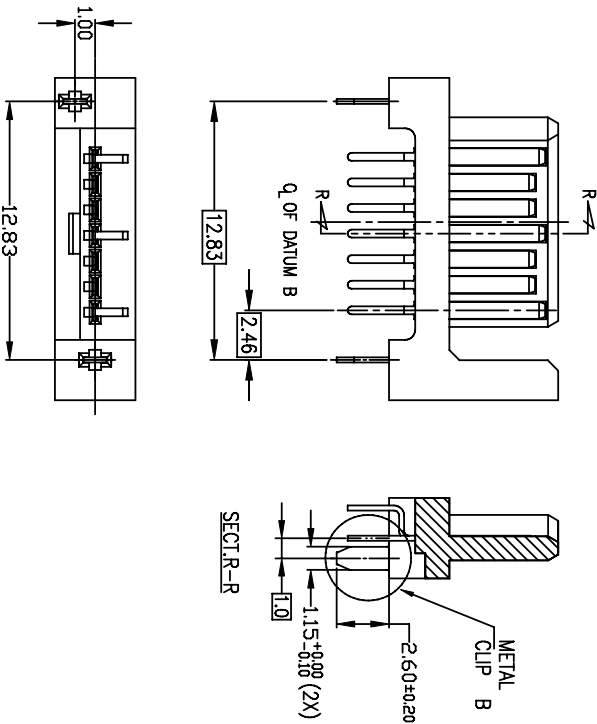
code code



PRODUCT NO.	PLATING AT CONTACT PT	HOUSING COLOR	PLATING AT SOLDERTAIL	HOLD DOWN
59333-002LF	0.38um/ 15u" min	BLACK	For part : 59333-xxx (CANCEL)	METAL CLIP A
59333-102LF	0.38um/ 15u" min	BLUE	For Leadfree part 59333-xxxLF	
59333-022LF	0.076um/ 3u" min	BLACK	Refer Note 3b & 5	
59333-122LF	0.076um/ 3u" min	BLUE		



PRODUCT NO.	PLATING AT CONTACT PT	HOUSING COLOR	PLATING AT SOLDERTAIL	HOLD DOWN
59333-003LF	0.38um/ 15u" min	BLACK	For part : 59333-xxx (CANCEL)	METAL CLIP B
59333-103LF	0.38um/ 15u" min	BLUE	For Leadfree part 59333-xxxLF	
59333-023LF	0.076um/ 3u" min	BLACK	Refer Note 3b & 5	
59333-123LF	0.076um/ 3u" min	BLUE		



RECOMMENDED MOUNTING LAYOUT
RECOMMENDED PCB T = 1.60mm
TOLERANCE UNLESS OTHERWISE:±t0.1

mat'l. code	ecn no.	dr	date	lineor	tolerances unless otherwise specified	CUSTOMER COPY	projection	title	product family	code
A	S03-0057	JPEH	04/15/03		.XX ± 0.30			S-ATA SIGNAL PLUG	SATA	TWN
B	S03-0162	JPEH	11/03/03		.XXX ± 0.10			DIP VERTICAL TYPE ASSY		sheet
C	S04-0170	JPEH	08/04/04	angles	0° ±2°					2 of
D	S04-0244	GLL	11/16/04	dr						
E	T08-0189	S.LIN	11/16/06	enrgt						
sheet	revision	E	E	pppd	chr	GL	100	11/16/04	11/16/04	
index	sheet	1	2		JOEY	NG		11/16/04		

ACAT

3

4

code code



www.fciconnect.com