

FOR BOARD-TO-CABLE CONNECTION

230R SERIES (CONFORMS TO SCSI)

■ FEATURES

- 1.27 mm × 2.54 mm (0.050 in. × 0.100 in.) pitch contact arrangement enables high-density mounting.
- Cables and connectors are assembled by means of discrete wire IDC.
- Terminals are spaced in a four-row staggered arrangement (2.54 mm × 1.905 mm) (0.100 in. × 0.075 in.).
- Knife-fork two-point contacts are highly reliable.
- One-touch lock types and screw lock types are available for fixing the board-side connector and the cable-side connector.
- The following connectors conform to the SCSI standards recommended by ANSI:
 - (1) Single-operation lock types
 - 50-contact type: Conforms to the A-cable connectors prescribed in SCSI-II and SCSI-III
 - 68-contact type: Conforms to the B-cable connectors prescribed in SCSI-II
 - (2) Screw lock types
 - 68-contact type: Conforms to the P/Q-cable connectors prescribed in SCSI-III

* SCSI: Small Computer System Interface

■ SPECIFICATIONS

| Item | Specifications |
|------------------------------|--|
| Operating temperature range | -55°C to +105°C |
| Current rating | DC 1 A |
| Voltage rating | AC 240 V |
| Contact resistance | 30 mΩ max. (DC 6 V, 0.1A) |
| Insulation resistance | 1000 MΩ min. (DC 500 V) |
| Dielectric withstand voltage | AC 750 V for 1 minute |
| Applicable wire (standard) | AWG #28 and #30 twisted-pair cables with φ 0.5 to 0.88 mm (0.020 to 0.035 in.) sheath diameter. (The applicable wires depend on the number of contacts. See the descriptions of IDC plugs and metal covers.) |



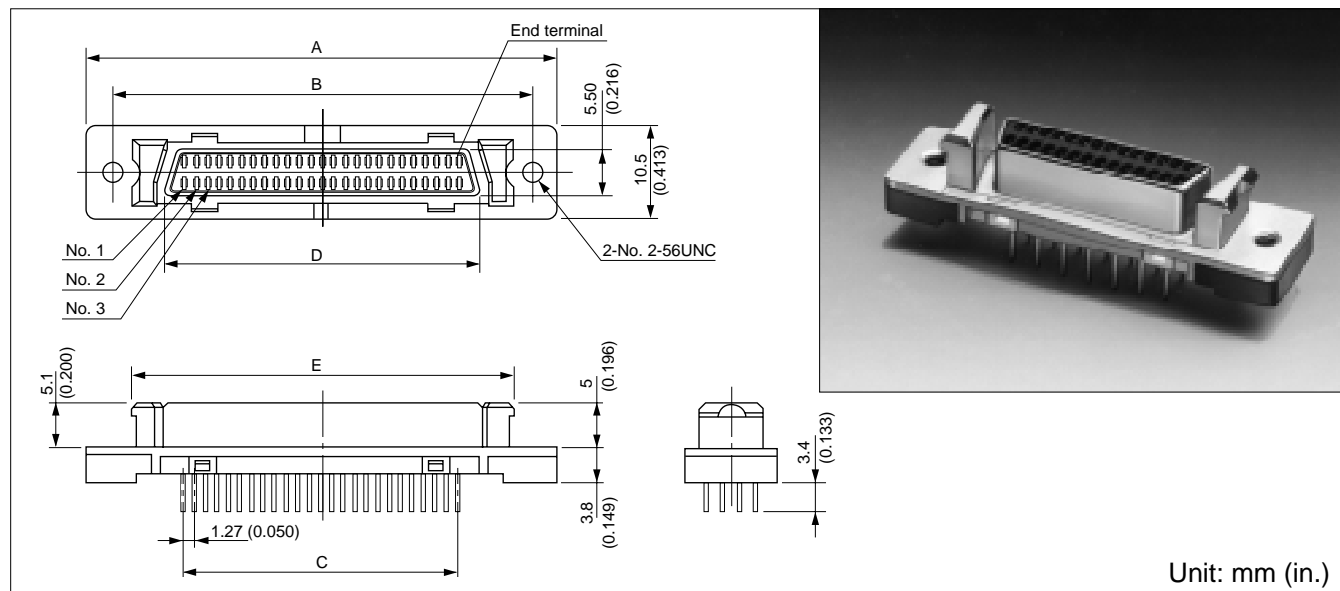
■ MATERIALS

| Item | Materials | |
|-----------|---------------------|-------------------|
| Insulator | Polyester (UL94V-0) | |
| Conductor | Copper alloy | |
| Plating | Contact | Gold plating |
| | Terminal | Palladium plating |

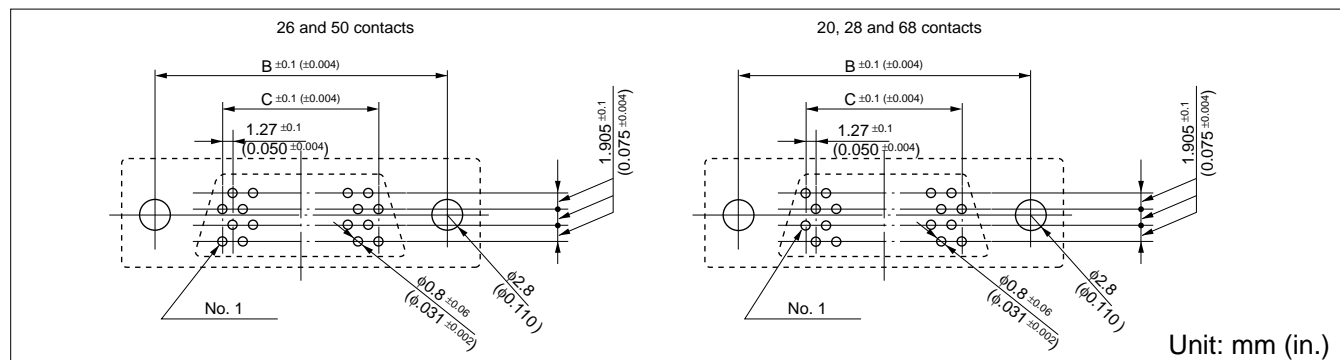
230R Series (Conforms to SCSI)

STRAIGHT SOCKET (SINGLE-OPERATION LOCK TYPE)

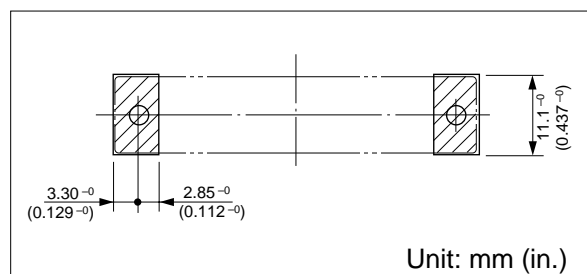
■ DIMENSIONS



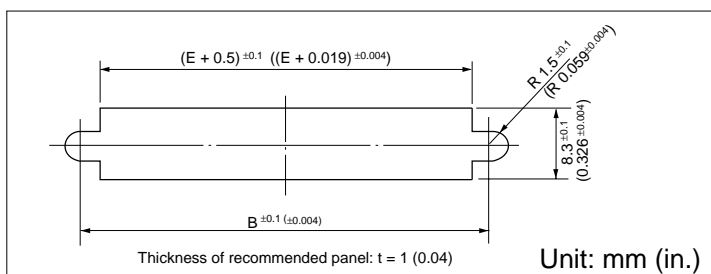
■ MOUNTING HOLE LAYOUT (COMPONENT SIDE)



■ PATTERN INHIBITED AREAS



■ RECOMMENDED PANEL DIMENSIONS



■ PART NUMBERS AND DIMENSIONS

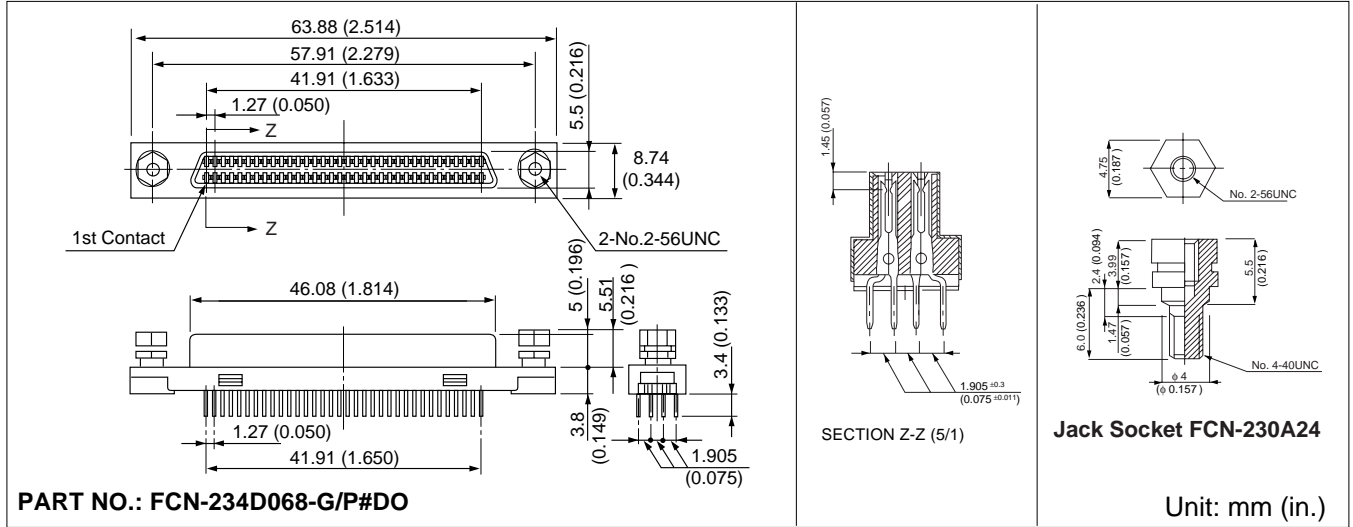
| Number of contacts | Part number | Dimensions: mm (in.) | | | | |
|--------------------|-----------------|----------------------|---------------|---------------|---------------|---------------|
| | | A | B | C | D | E |
| 20 | FCN-234D020-G/E | 33.40 (1.314) | 27.43 (1.079) | 11.46 (0.451) | 15.60 (0.614) | 23.24 (0.914) |
| 26 | FCN-234D026-G/E | 37.21 (1.464) | 32.24 (1.269) | 15.24 (0.600) | 19.41 (0.764) | 27.05 (1.064) |
| 28 | FCN-234D028-G/E | 38.48 (1.514) | 32.51 (1.279) | 16.51 (0.650) | 20.68 (0.814) | 28.32 (1.114) |
| 40 | FCN-234D040-G/E | 46.10 (1.841) | 40.13 (1.479) | 24.13 (0.950) | 28.30 (1.114) | 35.94 (1.414) |
| 50 | FCN-234D050-G/E | 52.45 (2.064) | 46.48 (1.829) | 30.48 (1.200) | 34.65 (1.364) | 42.29 (1.664) |
| 68 | FCN-234D068-G/E | 63.88 (2.514) | 57.91 (2.279) | 41.91 (1.650) | 46.08 (1.814) | 53.72 (2.114) |

This series includes connectors with M 2.5 threaded inserts for mounting on PC boards and panels. Specify a part number by replacing -G/E at the end with -G/C.

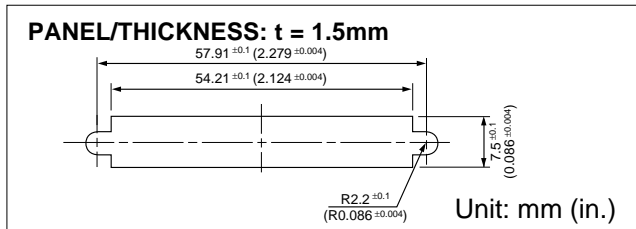
Example: FCN-234D050-G/C

FCN-234D068-G/P*** 68 CONTACT STRAIGHT TYPE, BOARD-SOCKET, SCREW TYPE LOCK

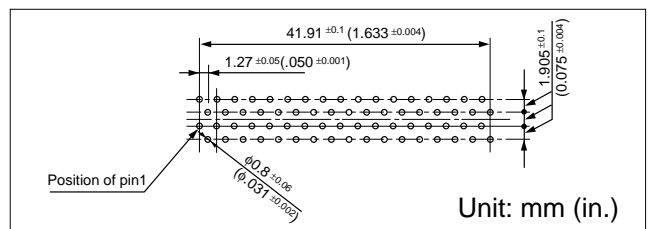
■ DIMENSIONS



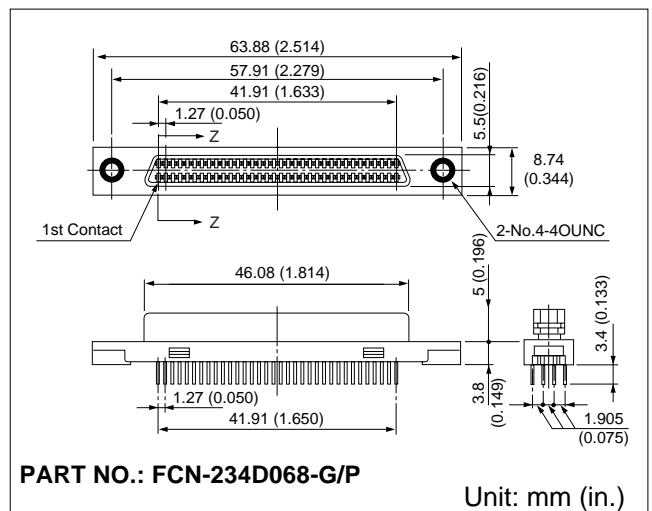
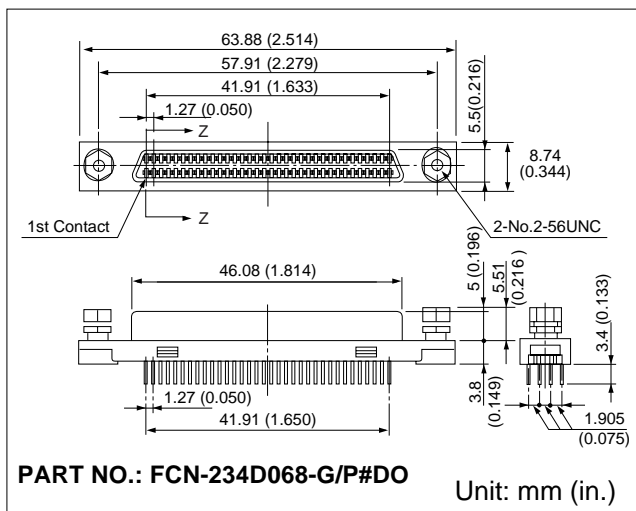
■ PANEL LAYOUT



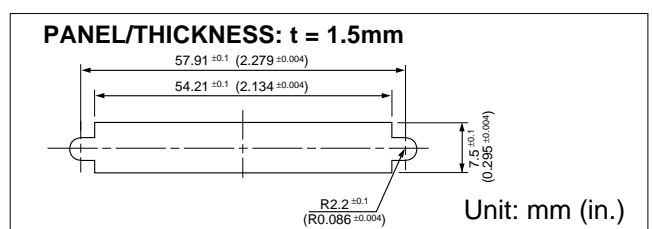
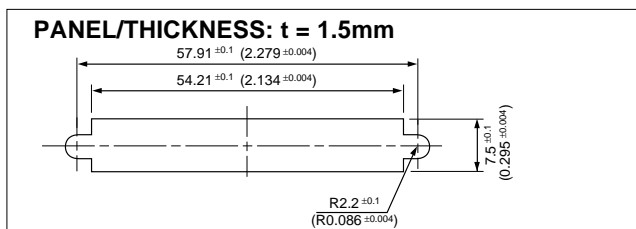
■ MOUNTING HOLE LAYOUT



■ DIMENSIONS



■ PANEL LAYOUT

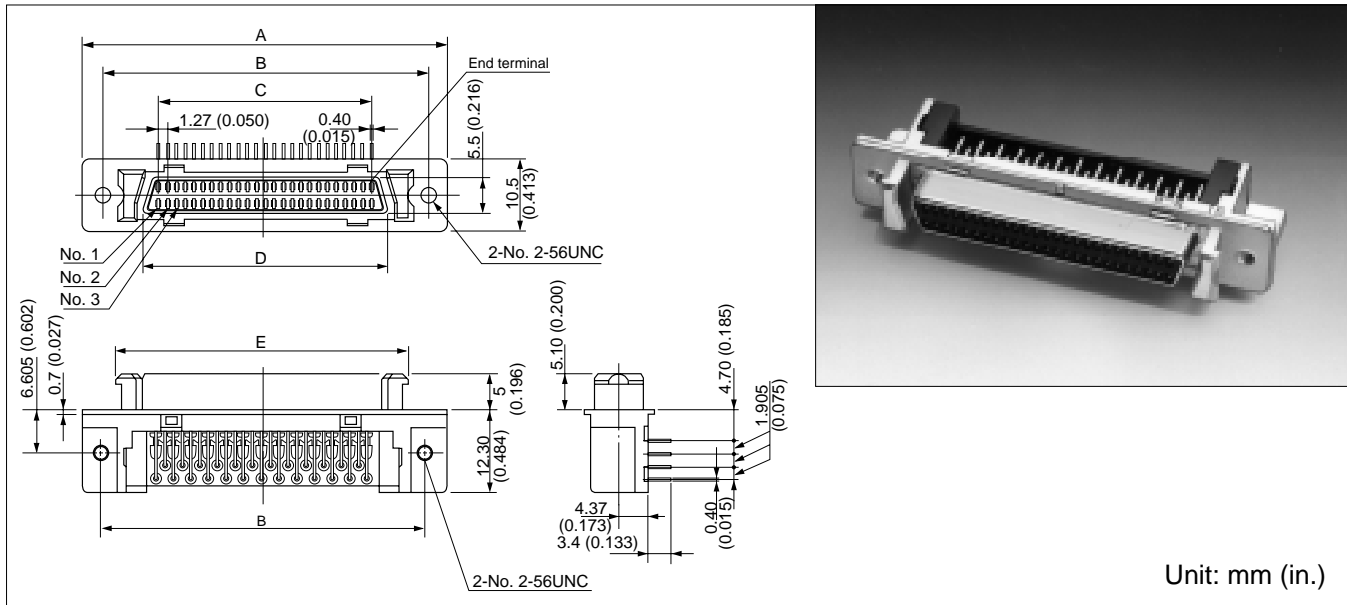


2

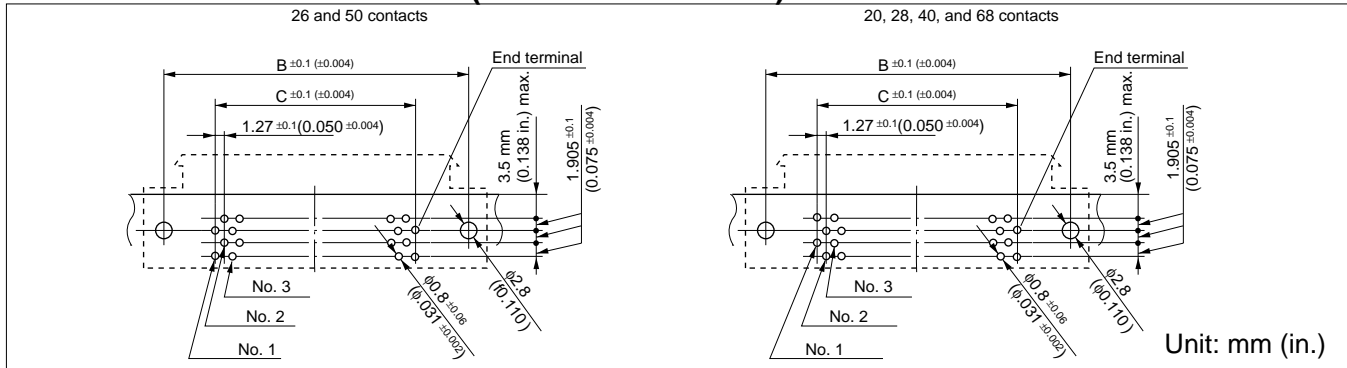
230R Series (Conforms to SCSI)

RIGHT ANGLE SOCKET (SINGLE-OPERATION LOCK TYPE)

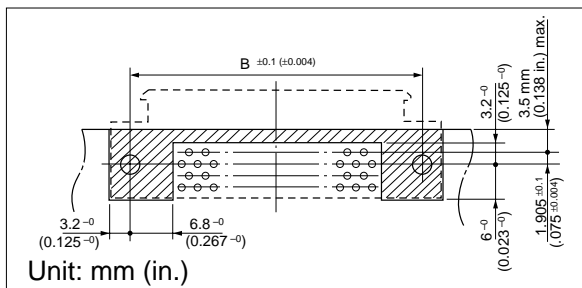
■ DIMENSIONS



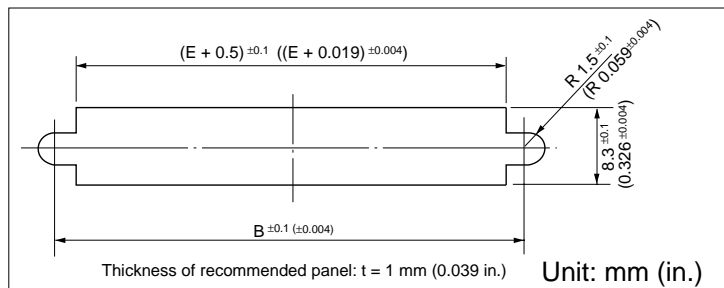
■ MOUNTING HOLE LAYOUT (COMPONENT SIDE)



■ PATTERN INHIBITED AREAS



■ RECOMMENDED PANEL DIMENSIONS



■ PART NUMBERS AND DIMENSIONS

| Number of contacts | Part number | Dimensions: mm (in.) | | | | |
|--------------------|-----------------|----------------------|---------------|---------------|---------------|---------------|
| | | A | B | C | D | E |
| 20 | FCN-235D020-G/E | 33.40 (1.314) | 27.43 (1.079) | 11.46 (0.451) | 15.60 (0.614) | 23.24 (0.914) |
| 26 | FCN-235D026-G/E | 37.21 (1.464) | 32.24 (1.269) | 15.24 (0.600) | 19.41 (0.764) | 27.05 (1.064) |
| 28 | FCN-235D028-G/E | 38.48 (1.514) | 32.51 (1.279) | 16.51 (0.650) | 20.68 (0.814) | 28.32 (1.114) |
| 40 | FCN-235D040-G/E | 46.10 (1.841) | 40.13 (1.479) | 24.13 (0.950) | 28.30 (1.114) | 35.94 (1.414) |
| 50 | FCN-235D050-G/E | 52.45 (2.064) | 46.48 (1.829) | 30.48 (1.200) | 34.65 (1.364) | 42.29 (1.664) |
| 68 | FCN-235D068-G/E | 63.88 (2.514) | 57.91 (2.279) | 41.91 (1.650) | 46.08 (1.814) | 53.72 (2.114) |

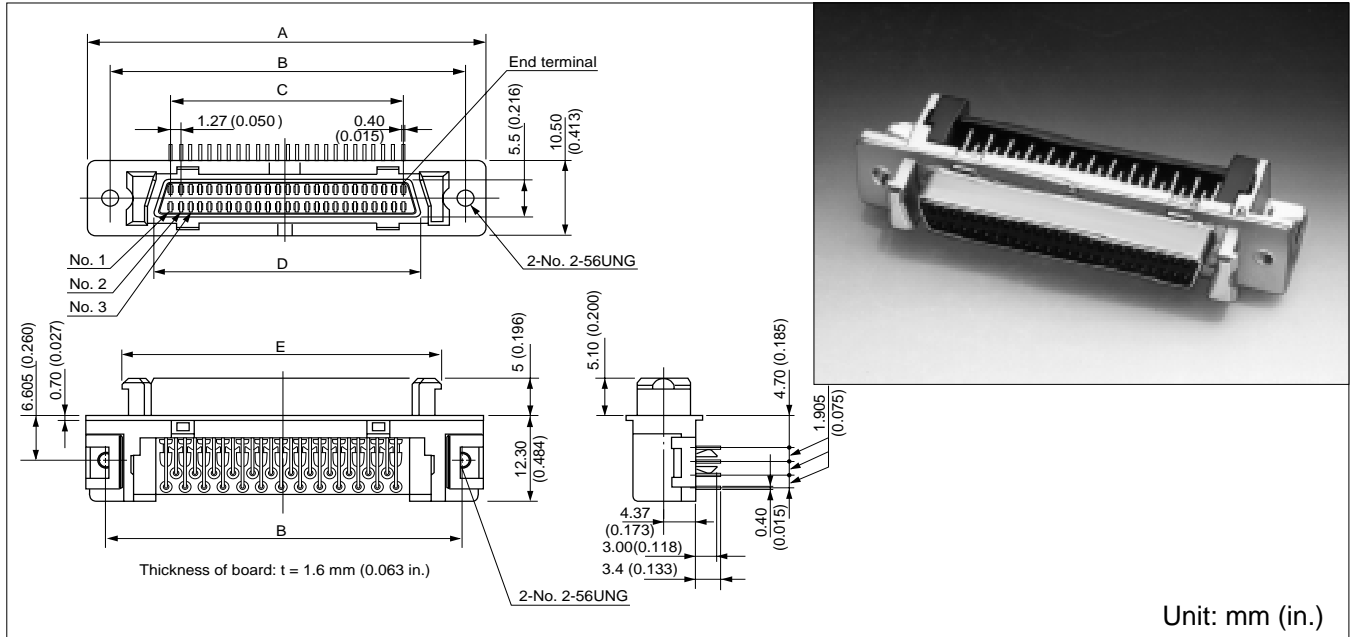
This series includes connectors with M 2.5 threaded inserts for mounting on PC boards and panels. Specify a part number by replacing -G/E at the end with -G/C.

Example: FCN-235D050-G/C

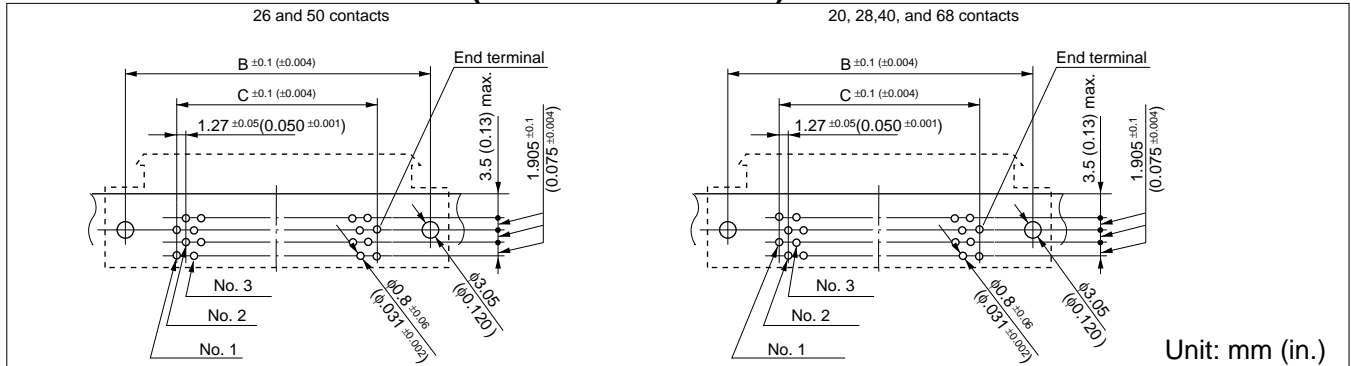
230R Series (Conforms to SCSI)

RIGHT-ANGLE SOCKET WITH BOARD LOCK BRACKET (SINGLE-OPERATION LOCK TYPE)

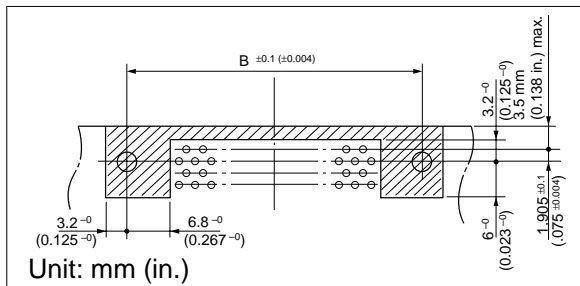
■ DIMENSIONS



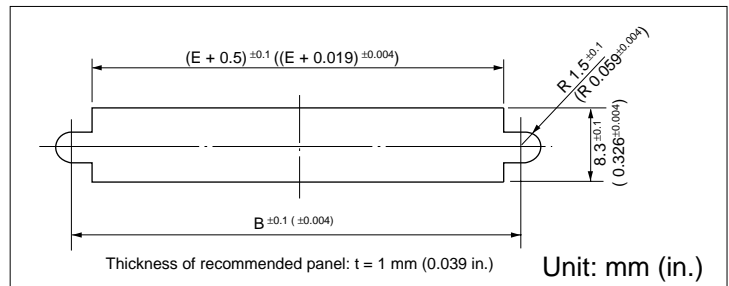
■ MOUNTING HOLE LAYOUT (COMPONENT SIDE)



■ PATTERN INHIBITED AREAS



■ RECOMMENDED PANEL DIMENSIONS



■ PART NUMBERS AND DIMENSIONS

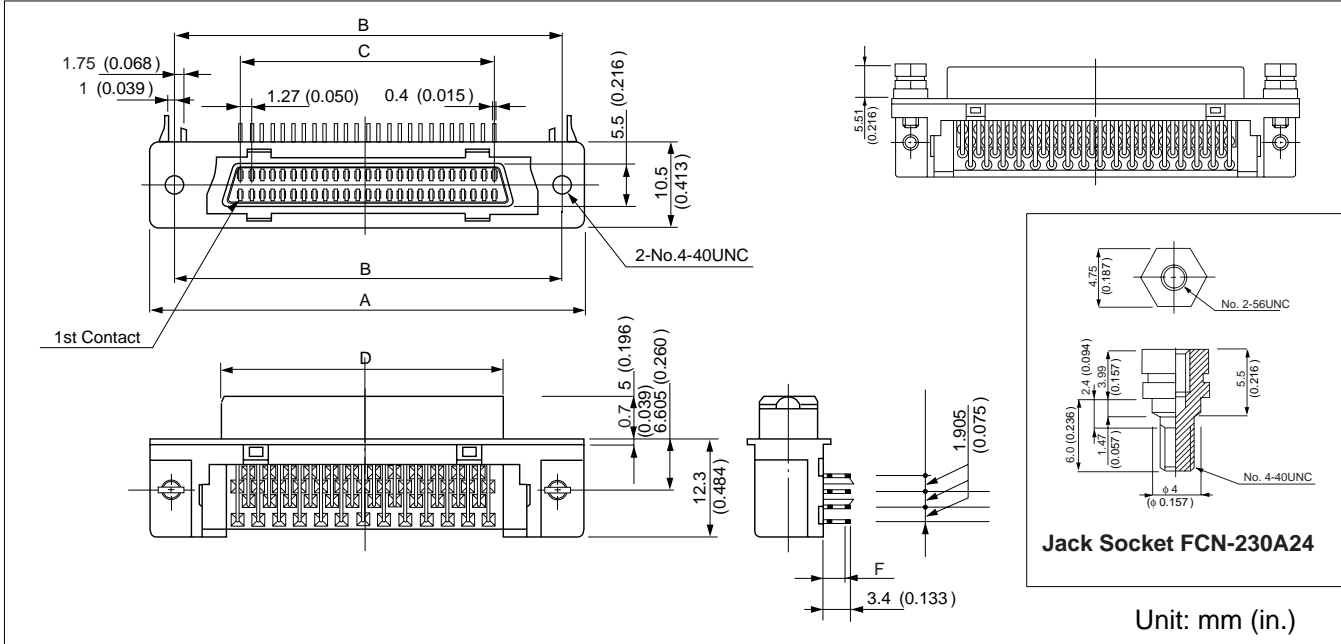
| Number of contacts | Part number | Dimensions: mm (in.) | | | | |
|--------------------|-----------------|----------------------|---------------|---------------|---------------|---------------|
| | | A | B | C | D | E |
| 20 | FCN-235D020-G/H | 33.40 (1.314) | 27.43 (1.079) | 11.46 (0.451) | 15.60 (0.614) | 23.24 (0.914) |
| 26 | FCN-235D026-G/H | 37.21 (1.464) | 32.24 (1.269) | 15.24 (0.600) | 19.41 (0.764) | 27.05 (1.064) |
| 28 | FCN-235D028-G/H | 38.48 (1.514) | 32.51 (1.279) | 16.51 (0.650) | 20.68 (0.814) | 28.32 (1.114) |
| 40 | FCN-235D040-G/H | 46.10 (1.841) | 40.13 (1.479) | 24.13 (0.950) | 28.30 (1.114) | 35.94 (1.414) |
| 50 | FCN-235D050-G/H | 52.45 (2.064) | 46.48 (1.829) | 30.48 (1.200) | 34.65 (1.364) | 42.29 (1.664) |
| 68 | FCN-235D068-G/H | 63.88 (2.514) | 57.91 (2.279) | 41.91 (1.650) | 46.08 (1.814) | 53.72 (2.114) |

This series includes connectors with M2.5 threaded inserts for mounting panels. Specify a part number by replacing -G/H at the end with -G/J. Example: FCN-235D050-G/J

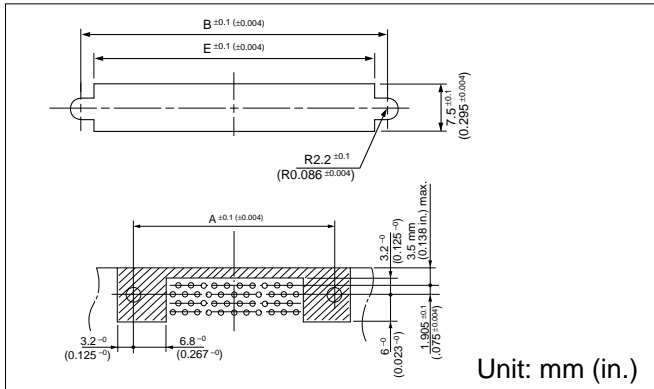
230R Series (Conforms to SCSI)

FCN-235D-G/** RIGHT ANGLE, BOARD-SOCKET, METAL SHELL, BOARDLOCKS (40 PinMII/100 base T std) (68 Pin SCSI III std)

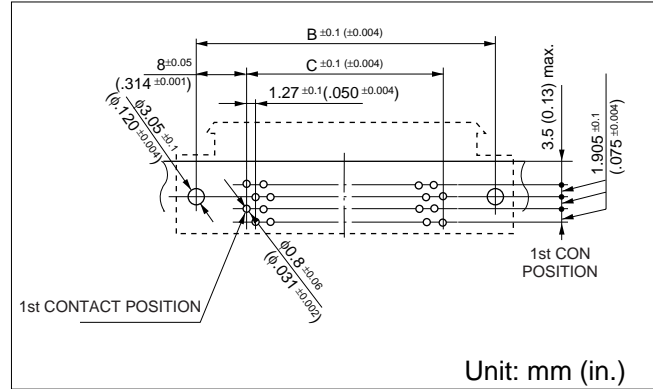
■ DIMENSIONS



■ PANEL LAYOUT



■ PCB LAYOUT



| No. of Contacts | PART NUMBER | A | B | C | D | E | F | Jack Sockets |
|-----------------|----------------------|--------------|--------------|--------------|--------------|--------------|------|--------------|
| 40 | FCN-235D040-G/HASR-N | 46.10(1.815) | 40.13(1.830) | 24.13(0.950) | 28.30(1.114) | 36.43(1.434) | 2.54 | INSTALLED |
| 40 | FCN-235D040-G/HAR-N | 46.10(1.815) | 40.13(1.830) | 24.13(0.950) | 28.30(1.114) | 36.43(1.434) | 3.40 | INSTALLED |
| 40 | FCN-235D040-G/HBSR-N | 46.10(1.815) | 40.13(1.830) | 24.13(0.950) | 28.30(1.114) | 36.43(1.434) | 2.54 | — |
| 40 | FCN-235D040-G/HBR-N | 46.10(1.815) | 40.13(1.830) | 24.13(0.950) | 28.30(1.114) | 36.43(1.434) | 3.40 | — |
| 68 | FCN-235D068-G/HASR-N | 63.88(2.515) | 57.91(2.280) | 41.91(1.650) | 46.08(1.814) | 54.21(2.134) | 2.54 | INSTALLED |
| 68 | FCN-235D068-G/HAR-N | 63.88(2.515) | 57.91(2.280) | 41.91(1.650) | 46.08(1.814) | 54.21(2.134) | 3.40 | INSTALLED |
| 68 | FCN-235D068-G/HBSR-N | 63.88(2.515) | 57.91(2.280) | 41.91(1.650) | 46.08(1.814) | 54.21(2.134) | 2.54 | — |
| 68 | FCN-235D068-G/HBR-N | 63.88(2.515) | 57.91(2.280) | 41.91(1.650) | 46.08(1.814) | 54.21(2.134) | 3.40 | — |

Specifications subject to change

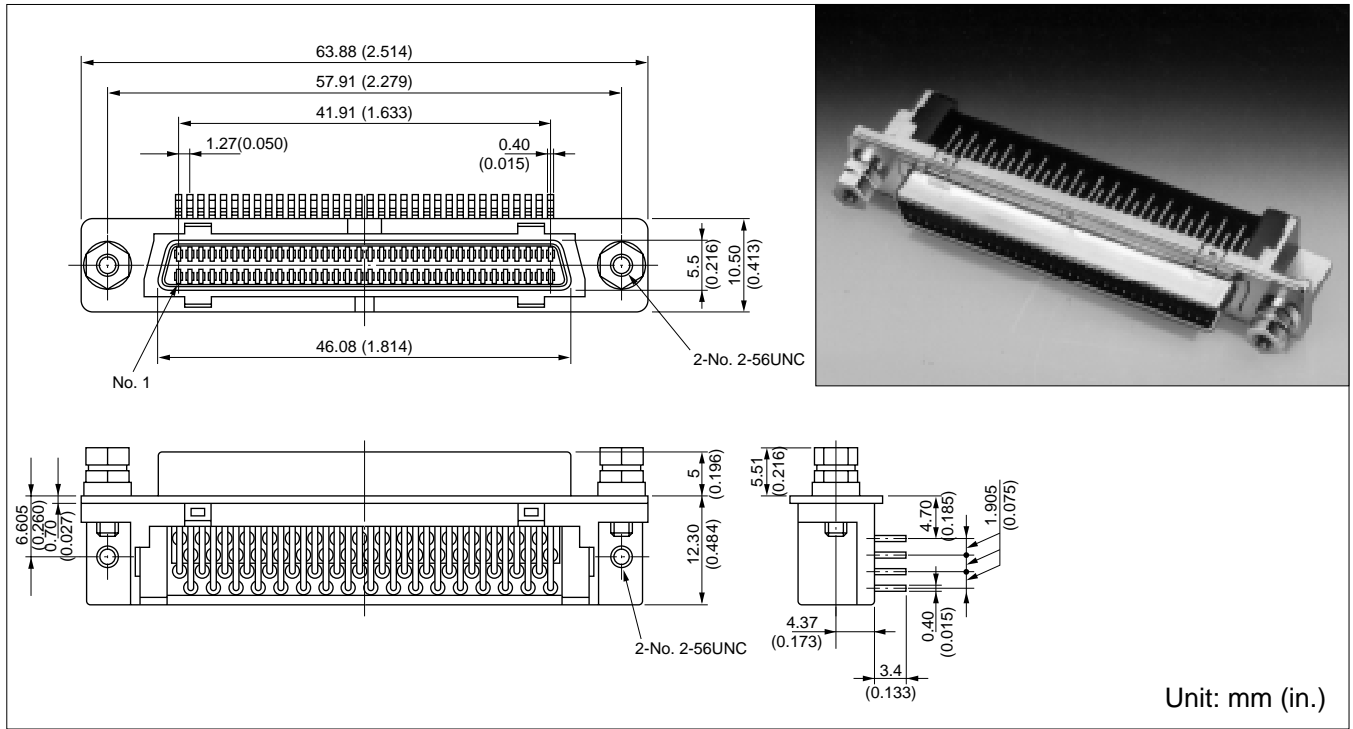
Dimensions are in millimeters (inches)

www.fc.ai.fujitsu.com

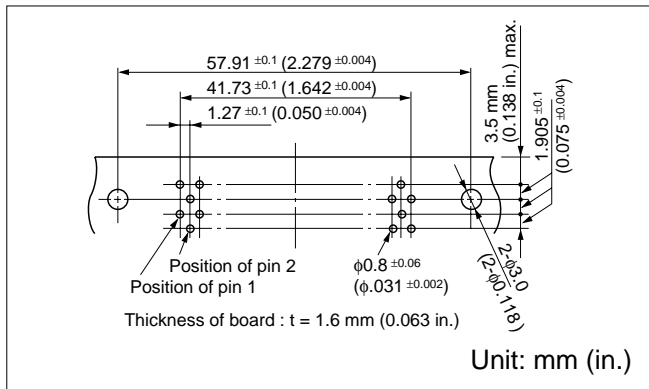
230R Series (Conforms to SCSI)

RIGHT-ANGLE SOCKET (SCREW LOCK TYPE)

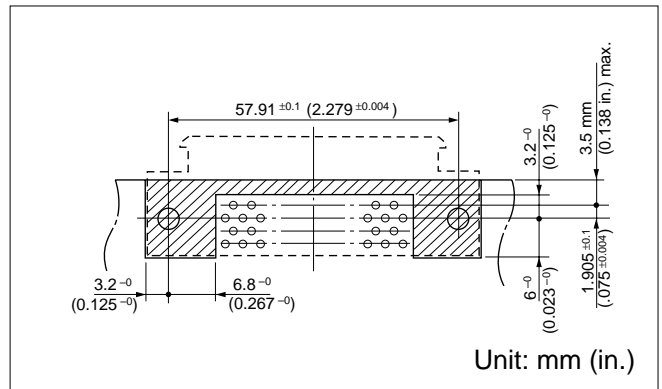
■ DIMENSIONS



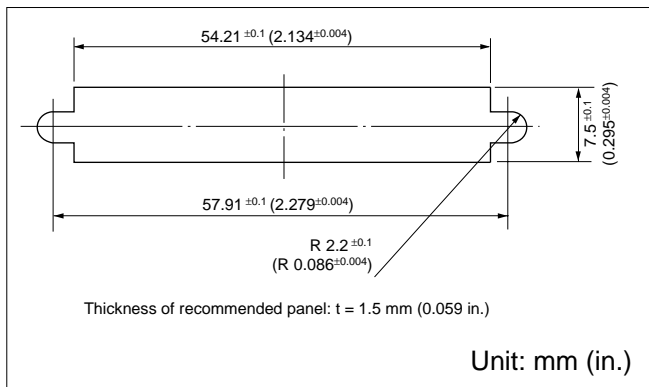
■ MOUNTING HOLE LAYOUT (COMPONENT SIDE)



■ PATTERN INHIBITED AREAS



■ RECOMMENDED PANEL DIMENSIONS



■ PART NUMBER

FCN-235D068-G/EA

■ NUMBER OF CONTACTS

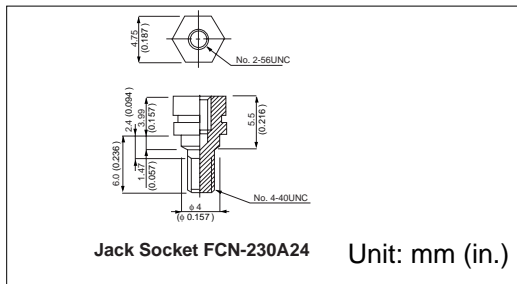
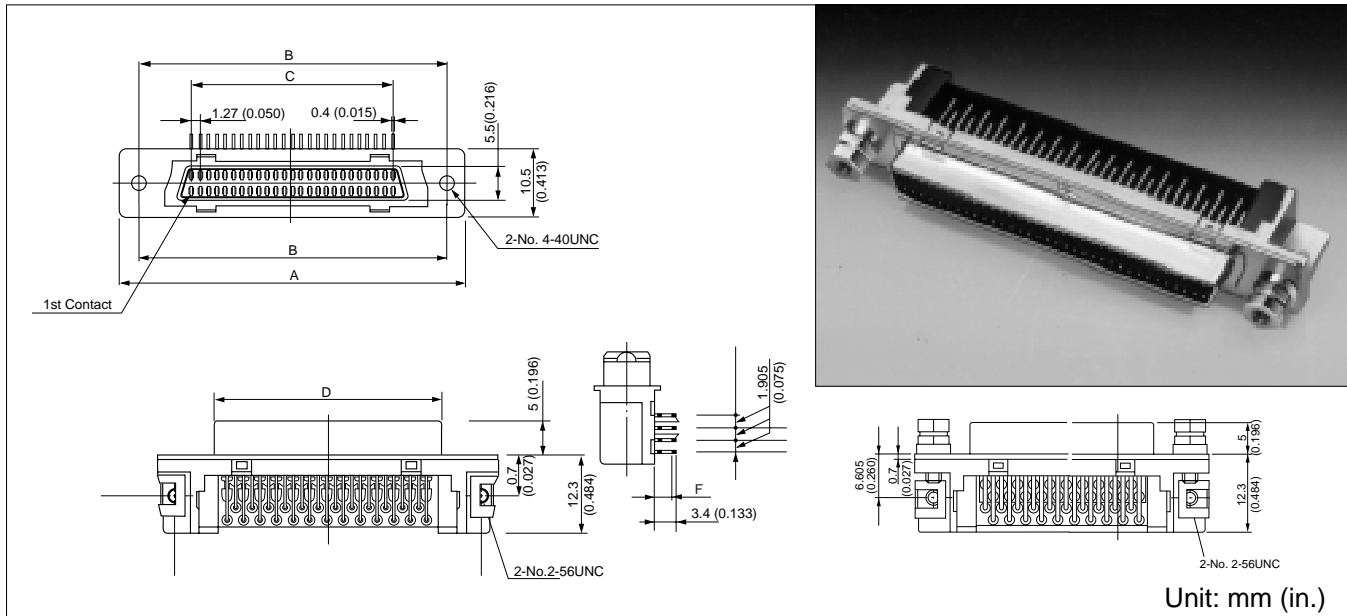
68 contacts

Note: Remove the spacer to mount the connector on the panel, then tighten the hexagon nuts. Make sure that the panel is sandwiched between the connector and nuts.

230R Series (Conforms to SCSI)

STRAIGHT SOCKET (SINGLE-OPERATION LOCK TYPE)

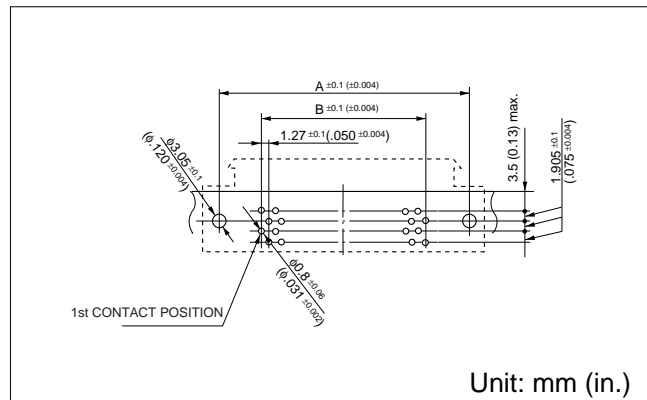
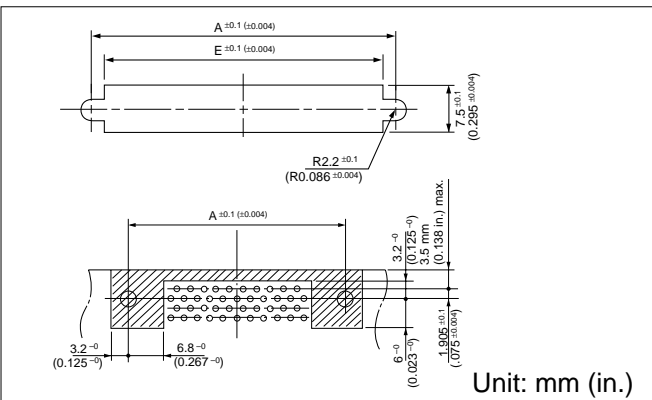
■ DIMENSIONS



■ MOUNTING HOLE LAYOUT (COMPONENT SIDE)

■ PANEL LAYOUT

■ PCB LAYOUT

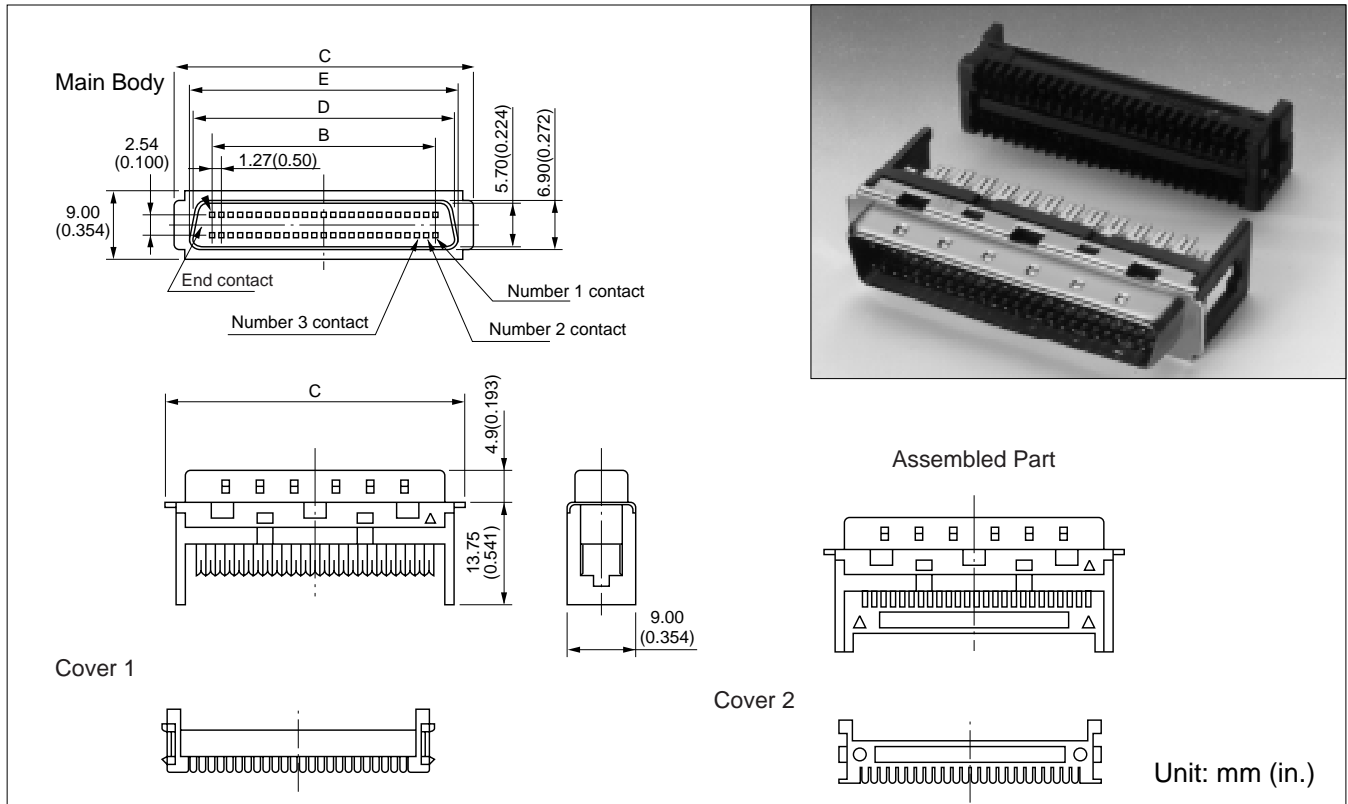


| No. of Contacts | PART NUMBER | A | B | C | D | E | F | Jack Sockets |
|-----------------|------------------|--------------|--------------|--------------|--------------|--------------|------|--------------|
| 68 | FCN-235D068-G/HA | 63.88(2.515) | 57.91(2.280) | 41.91(1.650) | 46.08(1.814) | 54.21(2.134) | 3.40 | Yes |
| 68 | FCN-235D068-G/HB | 63.88(2.515) | 57.91(2.280) | 41.91(1.650) | 46.08(1.814) | 54.21(2.134) | 3.40 | No |

230R Series (Conforms to SCSI)

FCN-237R**-G/* IDC TYPE, CABLE-PLUG

■ DIMENSIONS



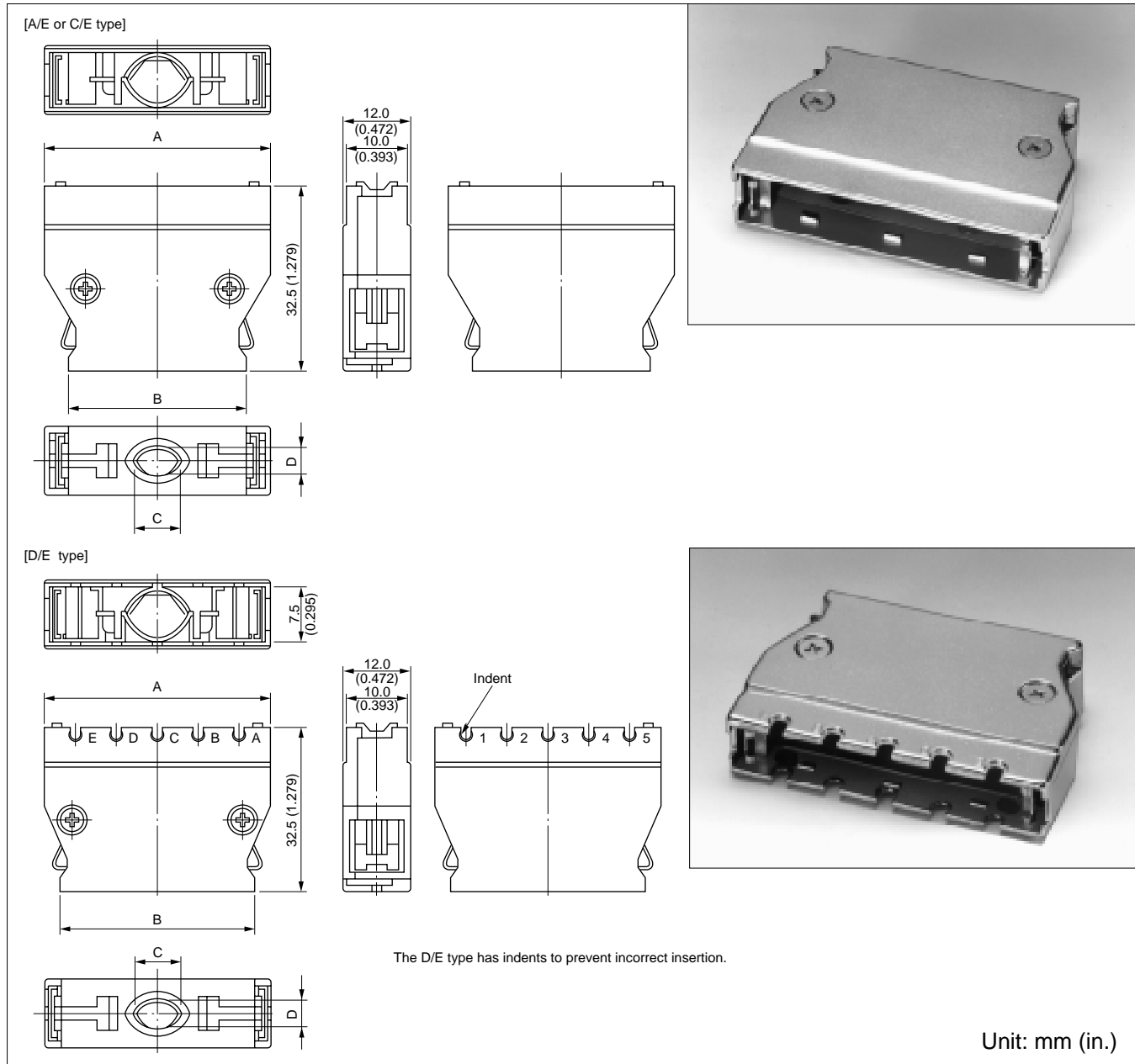
■ PART NUMBERS AND DIMENSIONS

| No. of Contacts | External Diameter of Applied Wire | PART NUMBER | Dimensions mm (in.) | | | | |
|-----------------|-------------------------------------|-----------------|---------------------|--------------|--------------|--------------|--------------|
| | | | A | B | C | D | E |
| 20 | φ0.8 to 0.88 mm (0.031 to 0.035) | FCN-237R020-G/F | 16.75(0.659) | 11.43(0.450) | 21.25(0.837) | 15.80(0.622) | 17.00(0.669) |
| | 0.5 to 0.65 mm (0.020 to 0.026) | FCN-237R020-G/E | | | | | |
| | 0.66 to 0.79 mm (0.026 to 0.030) | FCN-237R020-G/G | | | | | |
| 26 | 0.8 to 0.88 mm (0.031 to 0.035) | FCN-237R026-G/F | 20.65(0.809) | 15.24(0.600) | 25.06(0.987) | 19.61(0.722) | 20.81(0.819) |
| | 0.5 to 0.65 mm (0.020 to 0.026) | FCN-237R026-G/E | | | | | |
| 28 | 0.8 to 0.88 mm (0.031 to 0.035) | FCN-237R028-G/F | 21.83(0.859) | 16.51(0.650) | 26.33(1.037) | 20.88(0.822) | 22.08(0.869) |
| | 0.5 to 0.65 mm (0.020 to 0.026) | FCN-237R028-G/E | | | | | |
| 40 | 0.8 to 0.88 mm (0.031 to 0.035) | FCN-237R040-G/F | 29.45(1.159) | 24.13(0.950) | 33.95(1.377) | 28.50(1.122) | 29.70(1.169) |
| | 0.66 to 0.79 mm (0.026 to 0.030) | FCN-237R040-G/G | | | | | |
| 50 | 0.8 to 0.88 mm (0.031 to 0.035) | FCN-237R050-G/F | 35.80(1.409) | 30.48(1.200) | 40.30(1.587) | 34.85(1.587) | 36.05(1.419) |
| | 0.5 to 0.65 mm (0.020 to 0.026) | FCN-237R050-G/E | | | | | |
| | 0.66 to 0.79 mm (0.026 to 0.030) | FCN-237R050-G/G | | | | | |
| 68 | 0.8 to 0.88 mm (0.031 to 0.035) | FCN-237R068-G/F | 47.23(1.859) | 41.91(1.650) | 51.73(2.037) | 46.28(1.822) | 47.48(1.869) |
| | 0.5 to 0.65 mm (0.020 to 0.026) | FCN-237R068-G/E | | | | | |
| | 0.66 to 0.79 mm (0.026 to 0.030) | FCN-237R068-G/G | | | | | |
| 100 | 0.8 to 0.88 mm (0.031 to 0.035) | FCN-237R100-G/F | 67.55(2.659) | 62.23(2.450) | 72.05(2.837) | 66.60(2.622) | 67.80(2.669) |
| | 0.5 to 0.65 mm (0.020 to 0.026) | FCN-237R100-G/E | | | | | |

230R Series (Conforms to SCSI)

METAL COVER (ONE-TOUCH LOCK TYPE)

■ DIMENSIONS



■ PART NUMBERS AND DIMENSIONS

| Number of contacts | Part number | Dimensions: mm (in.) | | |
|--------------------|-----------------|----------------------|---------------|-----------------------------|
| | | A | B | C |
| 20 | FCN-230C020-A/E | 28.95 (1.139) | 21.15 (0.832) | 6.5 × 4.5 (0.255 × 0.177) |
| | FCN-230C020-C/E | | | 8.5 × 8.2 (0.334 × 0.322) |
| 26 | FCN-230C026-C/E | 32.76 (1.298) | 24.96 (0.982) | 7.2 × 8.5 (0.283 × 0.334) |
| 28 | FCN-230C028-A/E | 34.03 (1.339) | 26.23 (1.032) | 6.5 × 6.0 (0.255 × 0.236) |
| | FCN-230C028-C/E | | | 7.2 × 8.5 (0.289 × 0.334) |
| 40 | FCN-230C040-C/E | 41.65 (1.639) | 33.85 (1.332) | 9.0 × 10.0 (0.354 × 0.393) |
| | FCN-230C050-A/E | | | 8.5 × 7.0 (0.334 × 0.275) |
| 50 | FCN-230C050-C/E | 48.00 (1.889) | 40.20 (1.582) | 10.0 × 9.7 (0.395 × 0.381) |
| | FCN-230C050-D/E | | | 14.7 × 10.4 (0.585 × 0.409) |
| | FCN-230C068-A/E | | | 9.0 × 8.0 (0.354 × 0.314) |
| 68 | FCN-230C068-C/E | 59.43 (2.339) | 51.63 (2.032) | 10.0 × 9.0 (0.395 × 0.354) |
| | FCN-230C068-D/E | | | 14.7 × 10.4 (0.585 × 0.409) |
| | | | | |

230R Series (Conforms to SCSI)

BACKSHELL KIT (METAL CAN , PLASTIC SLIDE ON BOOT)

SCSI II

■ DIMENSIONS

Part Number: FCN-230C050-E/SC

Tooling Required
Crimping Tool Plate
FCN-237T-T094/H
Arbor Press
FCN-707T-T101/H

Unit: mm (in.)

METAL OBTUSE ANGLE CABLE OUT COVER (SINGLE-OPERATION LOCK TYPE)

■ DIMENSIONS

Unit: mm (in.)

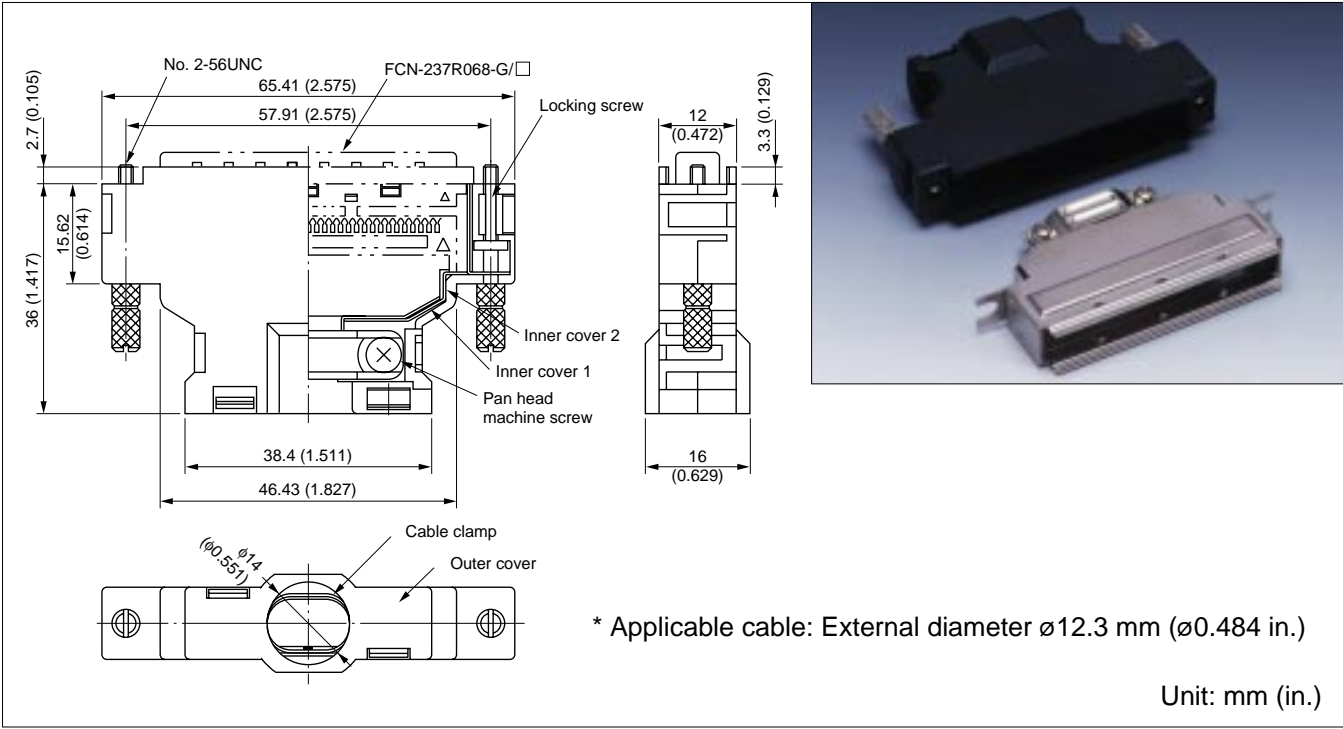
■ PART NUMBERS AND DIMENSIONS

| Number of contacts | Part number | Dimensions: mm (in.) | | | | |
|--------------------|-----------------|----------------------|---------------|---------------|--------------|-----|
| | | A | B | C | D | E |
| 40 | FCN-230C040-L/E | 41.65 (1.639) | 33.80 (1.330) | 10.60 (0.417) | 6.34 (0.249) | 19° |
| 50 | FCN-230C050-L/E | 48.00 (1.889) | 35.50 (1.397) | 11.38 (0.448) | 6.70 (0.263) | 15° |

230R Series (Conforms to SCSI)

EMI/ESD RESISTANT COVER (SCREW LOCK TYPE) SCSI III 68 POSITION

■ DIMENSIONS



■ PART NUMBERS

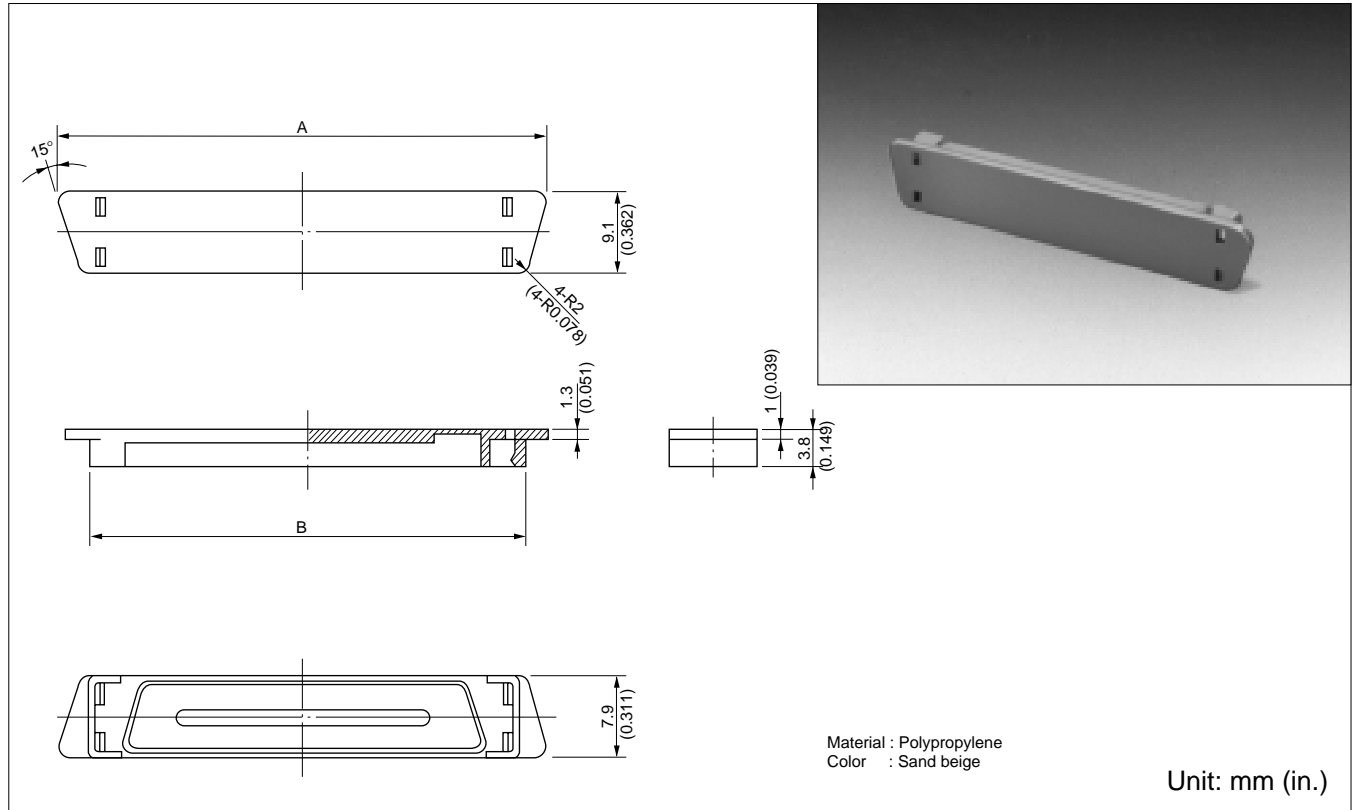
| Part number | Applicable Cable |
|------------------|--|
| FCN-230C068-E/S | $\varnothing 12.3$ mm ($\varnothing 0.484$ in.) |
| FCN-230C068-E/SA | $\varnothing 11.5$ mm ($\varnothing 0.452$ in.) |

230R Series (Conforms to SCSI)

ACCESSORY (DUST CAP FOR SOCKET) (230R SERIES AND 240R SERIES)

Used to prevent dust from entering the contact section of a socket connector.

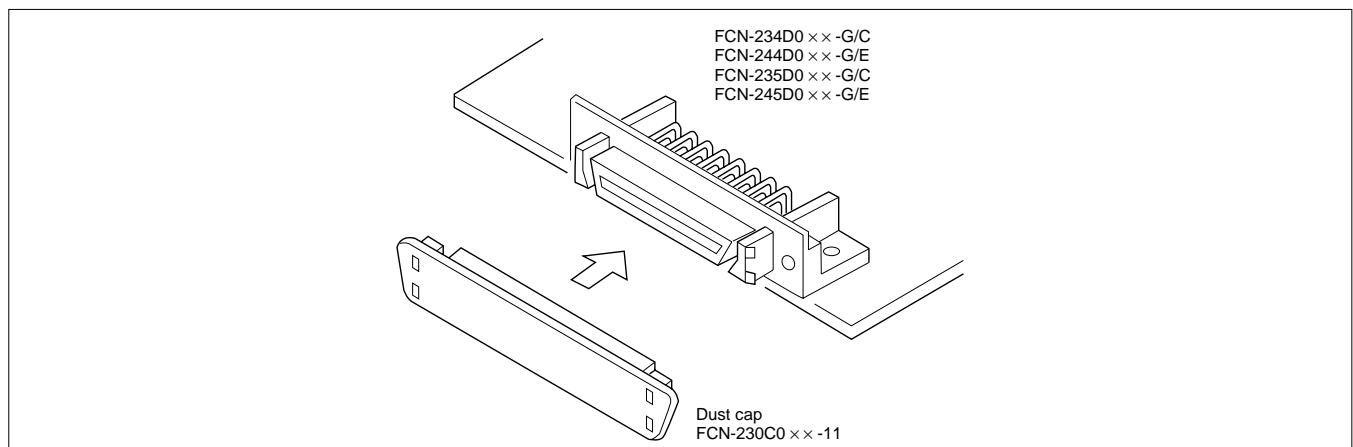
■ DIMENSIONS



■ PART NUMBERS AND DIMENSIONS

| Number of contacts | Part number | Dimensions: mm (in.) | |
|--------------------|----------------|----------------------|--------------|
| | | A | B |
| 28 | FCN-230C028-11 | 35.7 (1.405) | 30.1 (1.185) |
| 36 | FCN-230C036-11 | 40.8 (1.606) | 35.2 (1.385) |
| 50 | FCN-230C050-11 | 49.7 (1.956) | 44.1 (1.736) |
| 68 | FCN-230C068-11 | 61.1 (2.405) | 55.5 (2.185) |

■ APPLICATIONS



230R Series (Conforms to SCSI)

CABLE ASSEMBLY TOOLS

The following tools are needed to assemble FCN-230/230R/240/240R series connectors.

- Cable aligner (semiautomatic cable aligner or hand tool)
- IDC tool

1. Cable Aligner

| Item | Semiautomatic cable aligner | | | Hand tool |
|----------|-----------------------------|--------------|----------------|-----------------|
| | Body/Controller | Bed | Adaptor | |
| FCN-237J | FCN-M561-A/C | FCN-P560-2/A | FCN-K560-A-xxx | FCN-237T-T062/H |
| FCN-237R | | | FCN-K560-R-xxx | |
| FCN-247J | | | FCN-K560-K-xxx | |
| FCN-247R | | FCN-P560-2/J | FCN-K560-J-xxx | FCN-247T-T061/H |

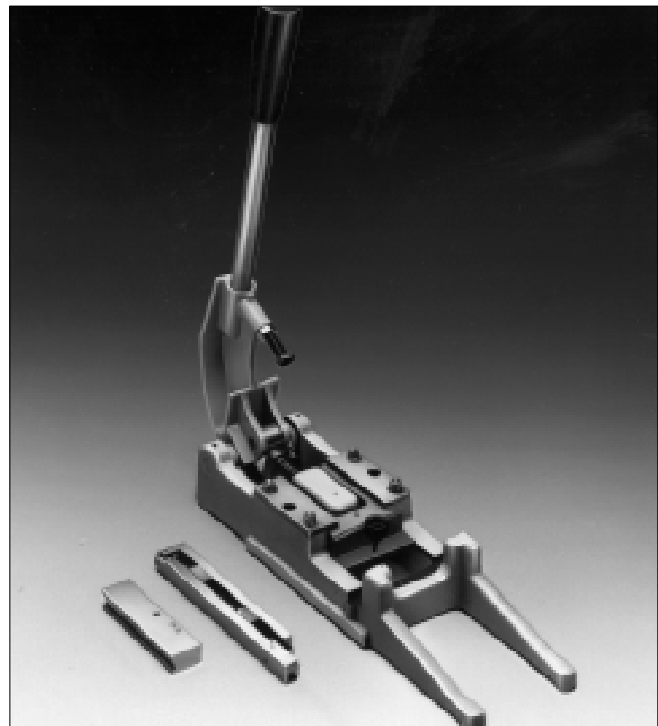
xxx indicates the number of contacts.

2. Insulation Displacement Connection (IDC) tool

| Item | Hand press | Head/Table |
|----------|-----------------|-----------------|
| FCN-237J | FCN-237T-T109/H | FCN-237T-T064/H |
| FCN-237R | | FCN-237T-T067/H |
| FCN-237D | | FCN-237T-T075/H |
| FCN-247J | | FCN-247T-T066/H |
| FCN-247R | | FCN-247T-T068/H |
| FCN-247D | | FCN-247T-T077/H |



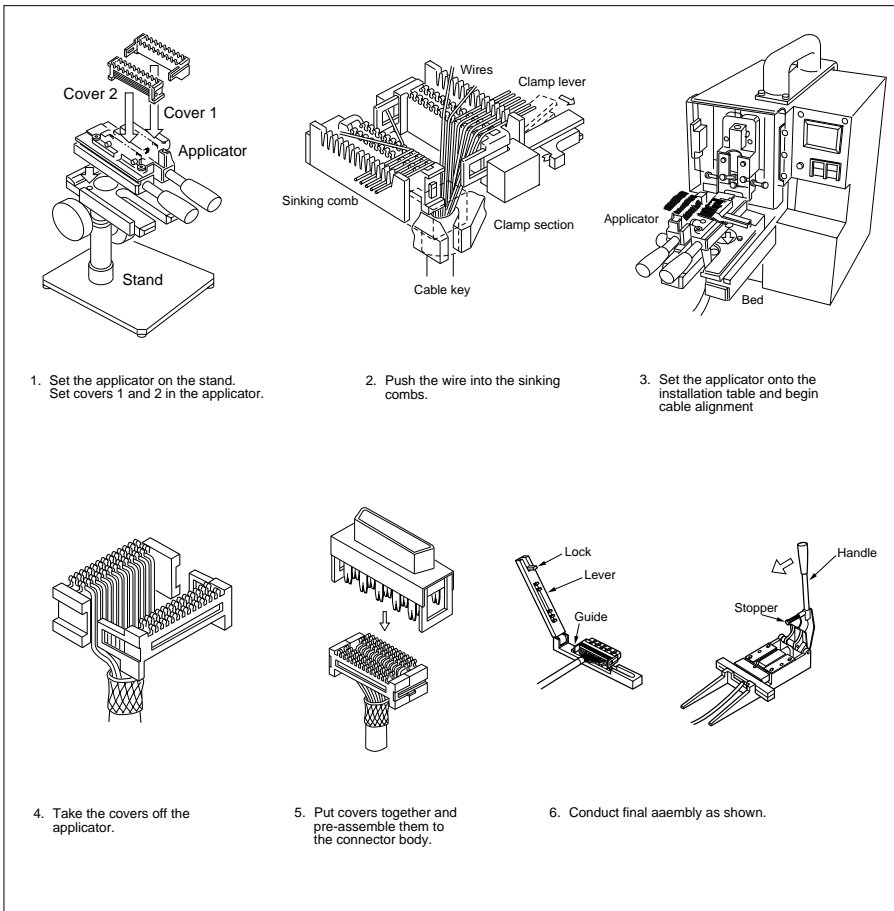
• Cable aligner



• Insulation displacement connection (IDC) tool

230R Series (Conforms to SCSI)

Semi-Automatic Tools Cable Aligning Machine Main Body (FCN-M551-120, FCN-M551-220)



Head (FCN-H550-1/A)



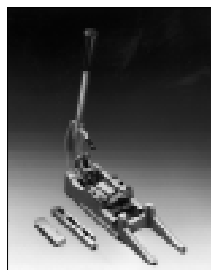
Stand (FCN-D550)



Applicator (FCN-A550-1/A-xxx)



IDC Tool (FCN-237T-T109/H,
FCN-237T-T067/H locator)



FCN-230R SERIES SCSI II CABLE CONNECTORS

SOCKET: FCN-237R***-G/E, G/F (***: 020, 026, 028, 050, 068)

| Pos No. | Applied Wire (wire Dia.: mm) | Connector Part number | Cable Aligner | | IDC Tool |
|---------------|---------------------------------|---|---|--------------|--|
| | | | Hand Tool | Semi-Auto | |
| 20 68 | #28 or #30 (0.8 to 0.88) | FCN-237R020-G/F FCN-237R068-G/F | FCN-237T-T062/H FCN-237t-t043/H | (See below*) | HAND PRESS: FCN-237T-T109/H HEAD & Locator: FCN-237T-T067/H |
| | #28 or #30 (0.5 to 0.65) | FCN-237R020-G/E FCN-237R068-G/E | | | |

Semi-automatic-Medium Level
Body: :FCN-M551-120
Head Assembly: :FCN-H550
Applicator: :FCN-A550-1/A-***(***: 020, 028, 036, 050, 068, 080)
Stand: :FCN-D550

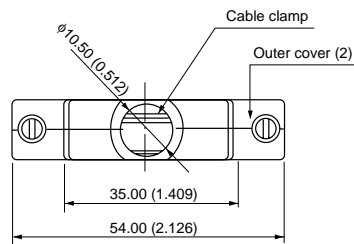
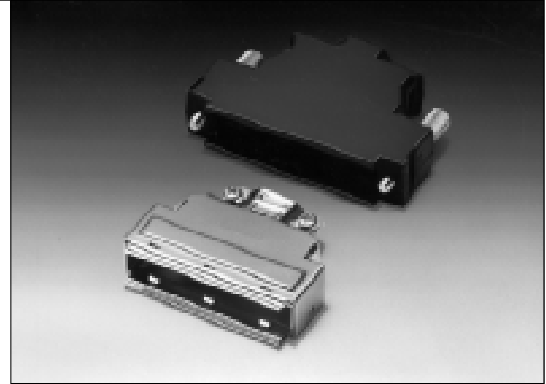
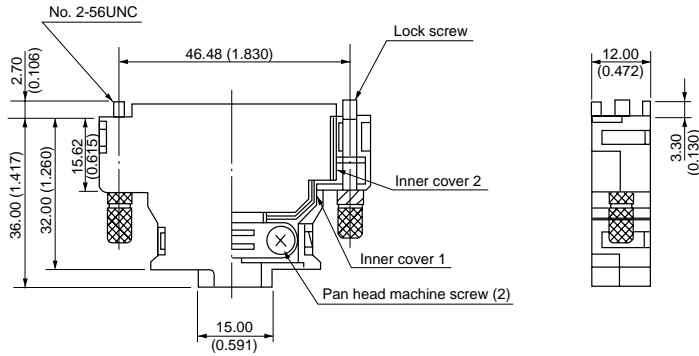
230R Series (Conforms to SCSI)

EMI/ESD RESISTANT COVER

■ DIMENSIONS

Number of contacts: 50 contacts

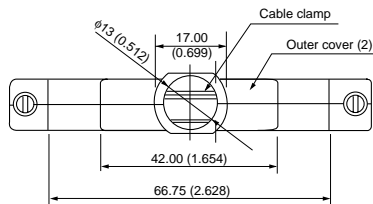
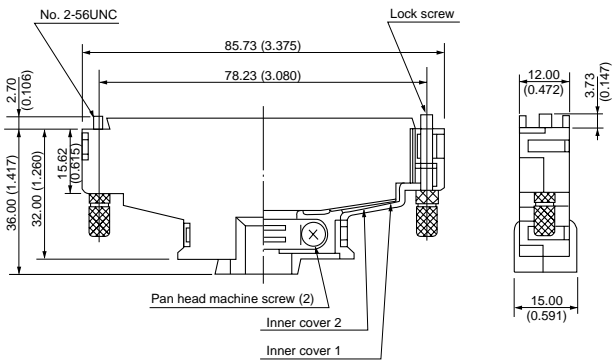
Part number: FCN-230C050-E/S



Unit: mm (in.)

Number of contacts: 100 contacts

Part number: FCN-230C100-E/S



Unit: mm ((in.))

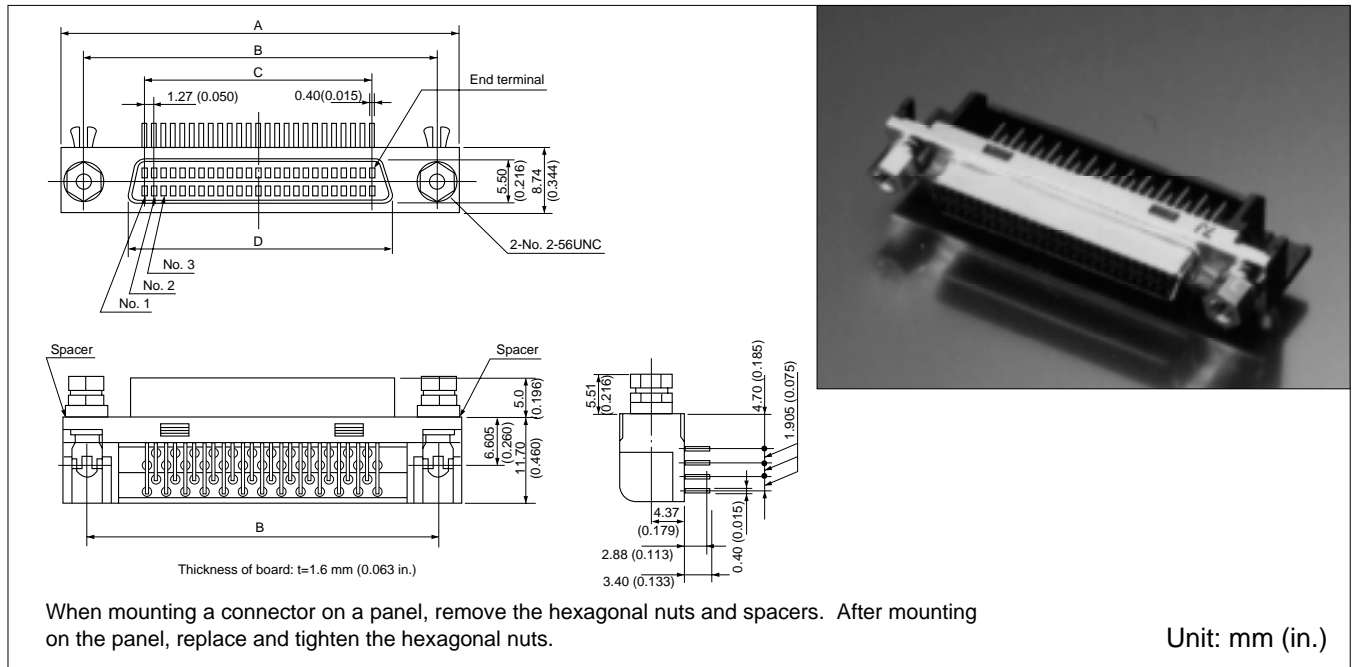
This series includes connectors with No.4-40UNC lock screws. Specify a part number by replacing -E/S at the end with -F/S.

Example: FCN-230C100-F/S

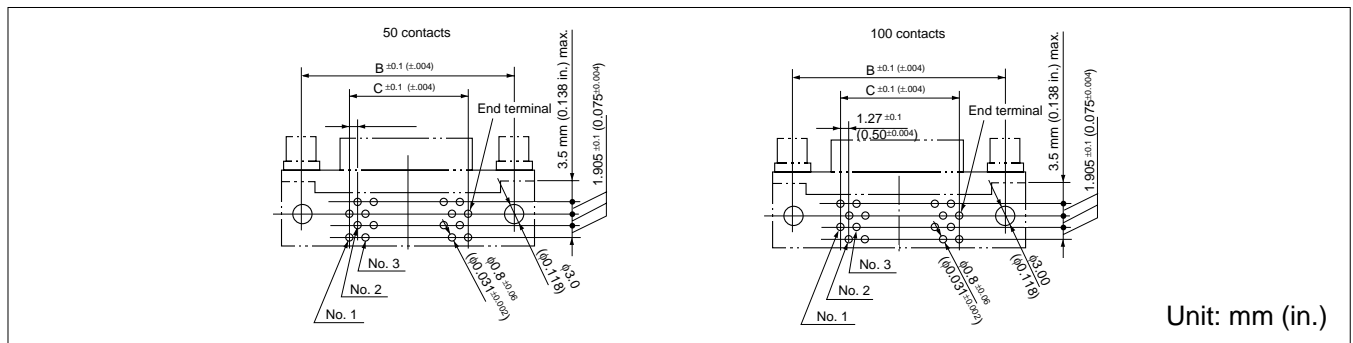
230R Series (Conforms to SCSI)

RIGHT-ANGLE SOCKET WITH HEXAGONAL NUTS FOR BOARD LOCK

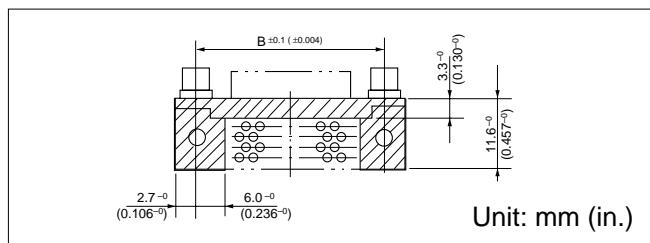
■ DIMENSIONS



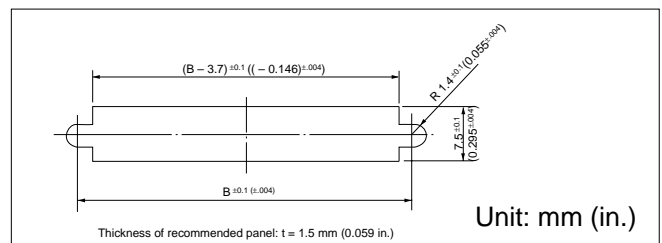
■ MOUNTING HOLE LAYOUT (COMPONENT SIDE)



■ PATTERN INHIBITED AREAS



■ RECOMMENDED PANEL DIMENSIONS



■ PART NUMBERS AND DIMENSIONS

| Number of contacts | Part number | Dimensions: mm (in.) | | | |
|--------------------|--------------------|----------------------|---------------|---------------|---------------|
| | | A | B | C | D |
| 50 | FCN-235D050-G/P#BA | 52.45 (2.065) | 46.48 (1.830) | 30.48 (1.200) | 34.65 (1.364) |
| 100 | FCN-235D100-G/P#BA | 84.20 (3.315) | 78.23 (3.080) | 62.23 (2.450) | 66.40 (2.614) |

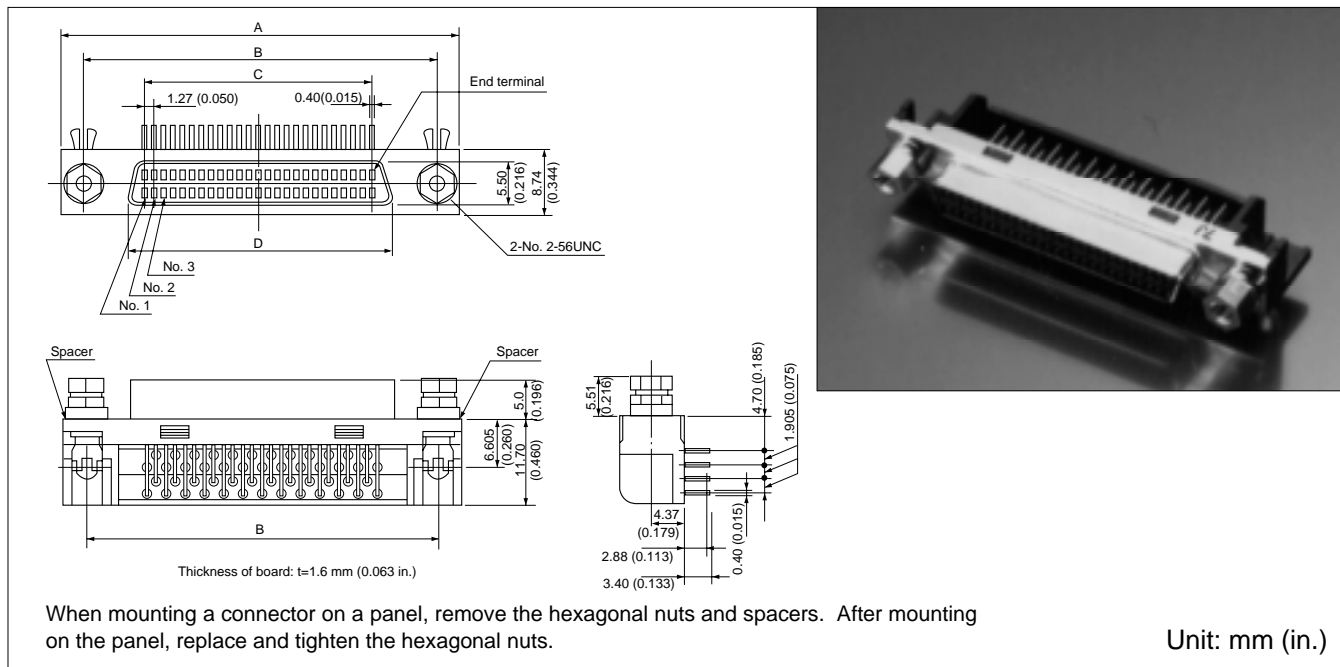
This series includes connectors with No.4-40UNC screws for hexagonal nuts. Specify a part number by replacing #BA at the end with #AA.

Example: FCN-235D100-G/P#AA

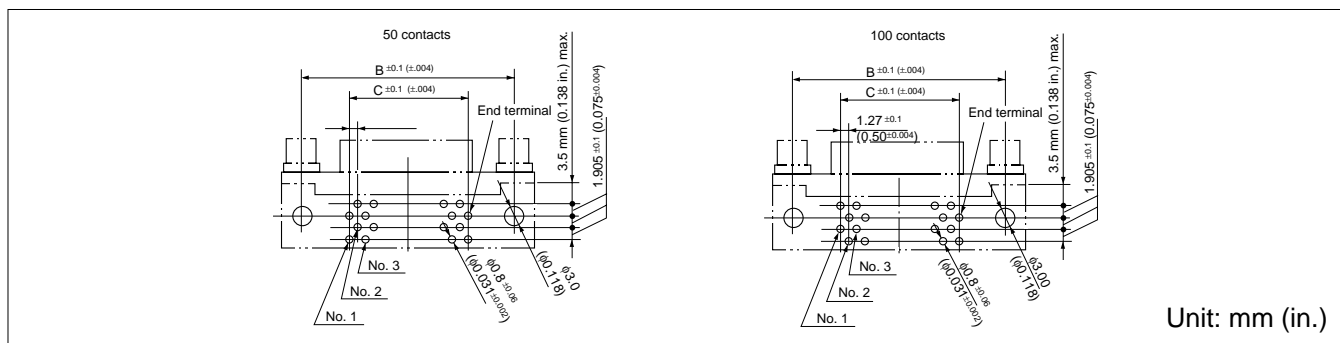
230R Series (Conforms to SCSI)

RIGHT-ANGLE SOCKET WITH HEXAGONAL NUTS FOR BOARD LOCK

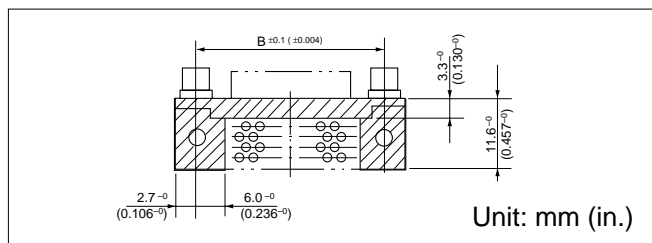
■ DIMENSIONS



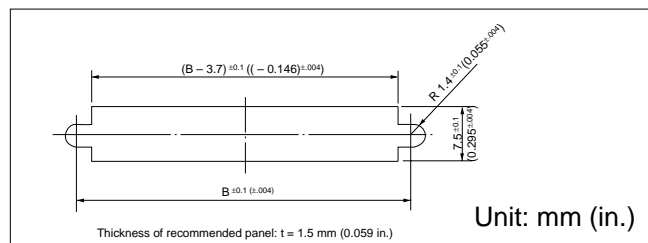
■ MOUNTING HOLE LAYOUT (COMPONENT SIDE)



■ PATTERN INHIBITED AREAS



■ RECOMMENDED PANEL DIMENSIONS



■ PART NUMBERS AND DIMENSIONS

| Number of contacts | Part number | Dimensions: mm (in.) | | | |
|--------------------|--------------------|----------------------|---------------|---------------|---------------|
| | | A | B | C | D |
| 50 | FCN-235D050-G/P#BA | 52.45 (2.065) | 46.48 (1.830) | 30.48 (1.200) | 34.65 (1.364) |
| 100 | FCN-235D100-G/P#BA | 84.20 (3.315) | 78.23 (3.080) | 62.23 (2.450) | 66.40 (2.614) |

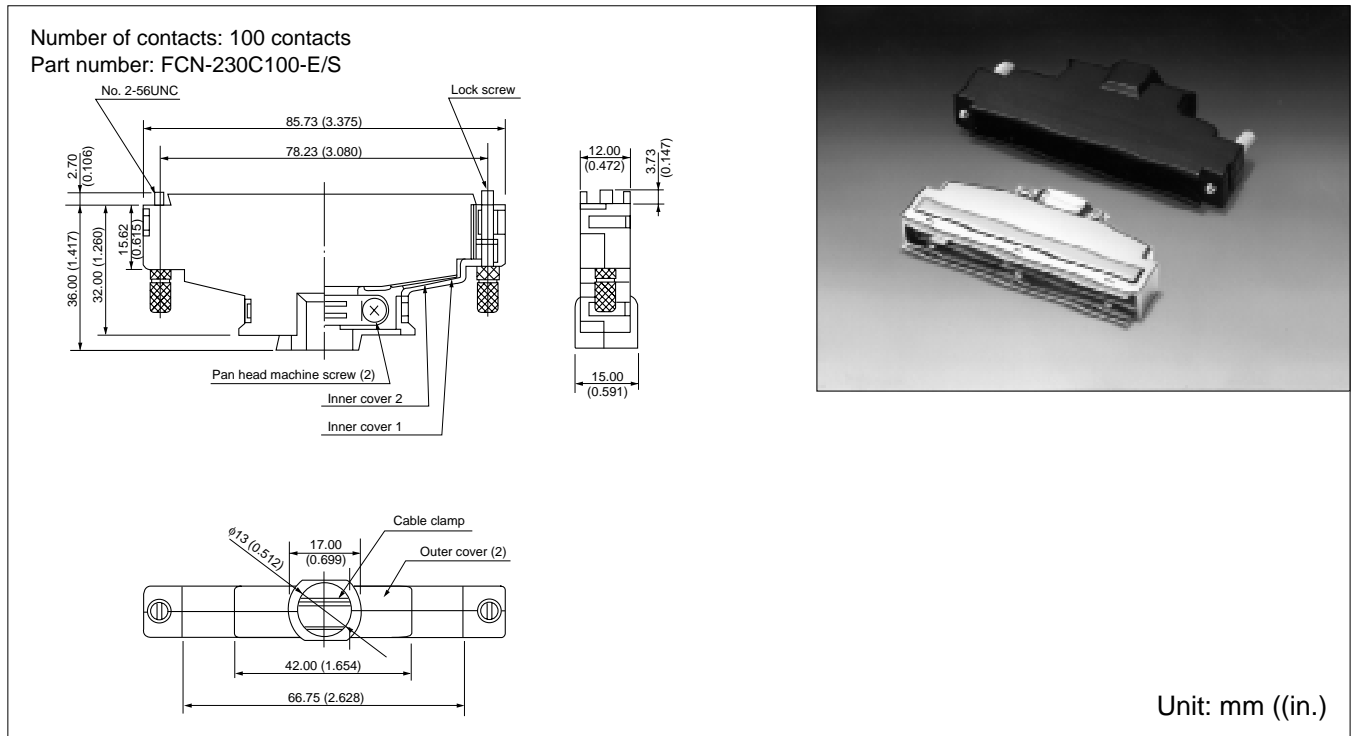
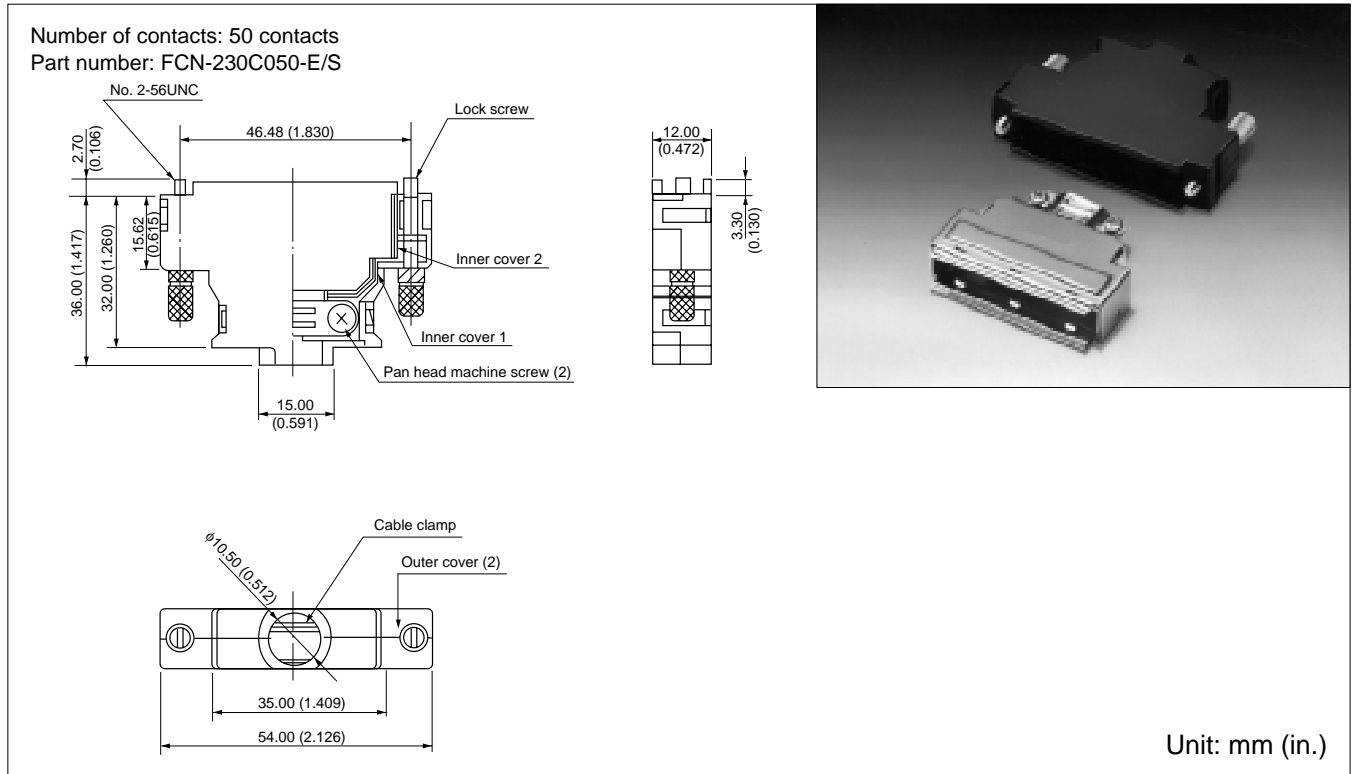
This series includes connectors with No.4-40UNC screws for hexagonal nuts. Specify a part number by replacing #BA at the end with #AA.

Example: FCN-235D100-G/P#AA

230R Series (Conforms to SCSI)

EMI/ESD RESISTANT COVER

■ DIMENSIONS



This series includes connectors with No.4-40UNC lock screws. Specify a part number by replacing -E/S at the end with -F/S.
Example: FCN-230C100-F/S

230R Series (Conforms to SCSI)

Fujitsu Components International Headquarter Offices

Japan

Fujitsu Component Limited
Gotanda-Chuo Building
3-5, Higashigotanda 2-chome, Shinagawa-ku
Tokyo 141-0022, Japan
Tel: (81-3) 5449-7010
Fax: (81-3) 5449-2626
Email: promothq@fcl.fujitsu.com
Web: www.fcl.fujitsu.com

North and South America

Fujitsu Components America, Inc.
250 E. Caribbean Drive
Sunnyvale, CA 94089 U.S.A.
Tel: (1-408) 745-4900
Fax: (1-408) 745-4970
Email: components@us.fujitsu.com
Web: <http://us.fujitsu.com/components>

Europe

Fujitsu Components Europe B.V.
Diamantlaan 25
2132 WV Hoofddorp
Netherlands
Tel: (31-23) 5560910
Fax: (31-23) 5560950
Email: info@fceu.fujitsu.com
Web: emea.fujitsu.com/components

Asia Pacific

Fujitsu Components Asia Ltd.
102E Pasir Panjang Road
#01-01 Citilink Warehouse Complex
Singapore 118529
Tel: (65) 6375-8560
Fax: (65) 6273-3021
Email: fcail.fcal.fujitsu.com
www.fcal.fujitsu.com

© 2007 Fujitsu Components America, Inc. All rights reserved. All trademarks or registered trademarks are the property of their respective owners. Fujitsu Components America, Inc. or its affiliates do not warrant that the content of the datasheet is error free. In a continuing effort to improve our products, Fujitsu Components America, Inc. or its affiliates reserve the right to change specifications/datasheets without prior notice. Rev. November 2, 2007.