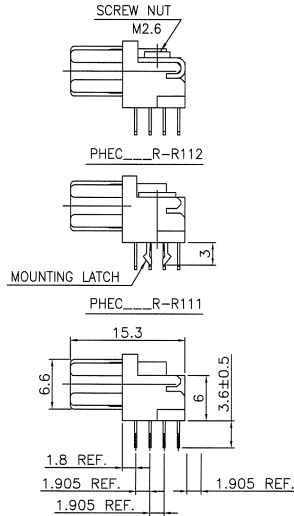
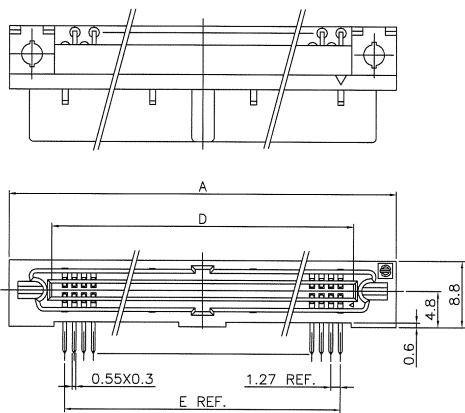
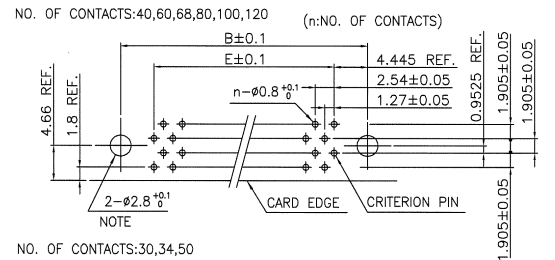


PRODUCT NO.

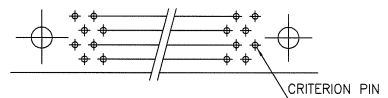
JSC 96359



RECOMMENDED PC BOARD
THICKNESS: 1.6 ± 0.2
HOLE PATTERN (COMPONENT SIDE)

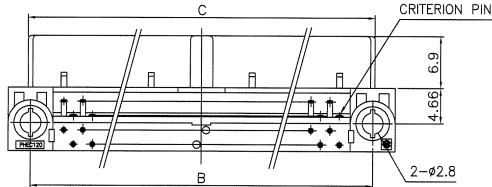


NO. OF CONTACTS: 30, 34, 50

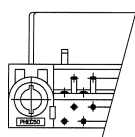


NOTE : THROUGH-HOLES FOR MOUNTING LATCHES ALSO SHOULD BE PLATED.

NO. OF CONTACTS: 40, 60, 68, 80, 100, 120



NO. OF CONTACTS: 30, 34, 50



NOTES

1. BODY, LOCATOR MATERIAL : PBT CLASS FILLED (UL94V-0), COLOR BLACK
2. TERMINAL MATERIAL : PHOSPHOR BRONZE
3. MOUNTING LATCH MATERIAL : PHOSPHOR BRONZE
4. SCREW NUT : STEEL
5. TERMINAL FINISH
CONTACT AREA : GOLD FLASH 0.1µm min. OVER NICKEL UNDERLAYER
SOLDER TAILS : PURE Sn 2µm min. OVER NICKEL UNDERLAYER
6. MOUNTING LATCH FINISH : PURE Sn 2µm min. OVER NICKEL UNDERLAYER
7. SCREW NUT FINISH : NICKEL
8. THIS PRODUCT MEETS EUROPEAN UNION DIRECTIVES AND OTHER COUNTRY REGULATIONS AS DESCRIBED IN GS-22-008
9. THE HOUSING WILL WITHSTAND EXPOSURE TO 260 DEGREE PEAK TEMPERATURE FOR 10 SECONDS IN A WAVE SOLDER APPLICATION WITH A 1.6mm MINIMUM THICK CIRCUIT BOARD.

CAT. NO.	NO. OF CONTACTS (MATING SIDE)	DIMENSIONS				
		A	B	C	D	E
PHEC30R-R11_LF	15/ROW X 2 ROWS	32.67	26.67	27.26	21.26	17.78
PHEC34R-R11_LF	17/ROW X 2 ROWS	35.21	29.21	29.80	23.80	20.32
PHEC40R-R11_LF	20/ROW X 2 ROWS	39.02	33.02	33.61	27.61	24.13
PHEC50R-R11_LF	25/ROW X 2 ROWS	45.37	39.37	39.96	33.96	30.48
PHEC60R-R11_LF	30/ROW X 2 ROWS	51.72	45.72	46.31	40.31	36.83
PHEC68R-R11_LF	34/ROW X 2 ROWS	56.80	50.80	51.39	45.39	41.91
PHEC80R-R11_LF	40/ROW X 2 ROWS	64.42	58.42	59.01	53.01	49.53
PHEC100R-R11_LF	50/ROW X 2 ROWS	77.12	71.12	71.71	65.71	62.23
PHEC120R-R11_LF	60/ROW X 2 ROWS	89.82	83.82	84.41	78.41	74.93

mat'l. code	---	surface	ISO 1302	tolerance	ISO 406	projection	product family	CODE
ltr	description	ecm no	dr	date	tolerances unless otherwise specified	MM	PHEC	JP
A	RELEASED	J05-0186	S.O	3/29/05	0.X ±0.3	MM	title	
B	REVISED	J07-0047	S.O	1/25/07	0.XX ±0.3	MM	PRINTED CIRCUIT CONNECTOR	
C	REVISED	J07-0458	S.O	9/11/07	0.XXX ±0.3	MM	(CAT.NO.PHEC - - - R-R11_LF)	
							scale	N/A
							dr	S.OKUDAIRA 3/29/05
							enrg	S.OKUDAIRA 9/11/07
							chr	
							appd.	P. Dadaev 7/11/07
sheet index	revision sheet	C	1				FCJ	dwg no
								JSC 96359
								sheet 1 of 1 size
								A3
								type
								Customer Drawing
								Rev. C

PDM: Rev:C STATUS Released Printed: Jun 07, 2010

FCJ

FCJconnect.com

Copyright FCJ

form: A3