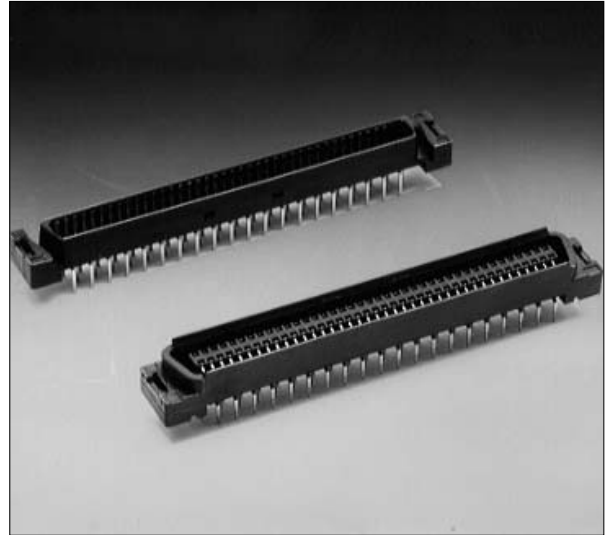


# FOR BOARD-TO-BOARD CONNECTION

## 240 SERIES (LOW-PROFILE STACKING)

### ■ FEATURES

- The connectors can connect boards in parallel (stacking) at intervals of 8 mm (0.31 in.) to 14 mm (0.55 in.) for various applications.
- Connectors with ten different numbers of contacts are available for various purposes: 20 to 100 in steps of ten and 120.
- Connectors are surface mount compatible.
- 1.27 mm (0.050 in.) pitch contact arrangement in two rows enables high-density mounting. Tails are spaced in a four-row staggered arrangement (2.54 mm × 1.905 mm) (0.100 in. × 0.075 in.) for easy patterning on PC boards.
- Bellows contacts ensure stable contact preventing pins from bending. The bellows contacts also have excellent stability with repeated insertion and extraction.



### ■ SPECIFICATIONS

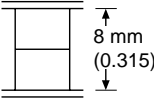
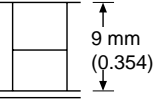
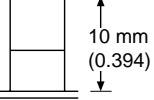
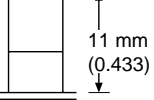
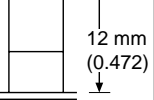
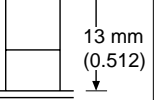
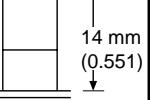
| Item                         | Specifications             |
|------------------------------|----------------------------|
| Operating temperature range  | -55°C to +105°C            |
| Current rating               | DC 1 A                     |
| Voltage rating               | AC 250 V                   |
| Contact resistance           | 35 mΩ max. (DC 6 V, 0.1 A) |
| Insulation resistance        | 1000 MΩ min. (DC 500 V)    |
| Dielectric withstand voltage | AC 750 V for 1 minute      |

### ■ MATERIALS

| Item      | Materials               |                      |
|-----------|-------------------------|----------------------|
| Insulator | Polyamide resin (94V-0) |                      |
| Conductor | Copper alloy            |                      |
| Plating   | Contact                 | Gold plating (PAGOS) |
|           | Terminal                | Palladium plating    |

# 240 Series (Low-Profile Stacking)

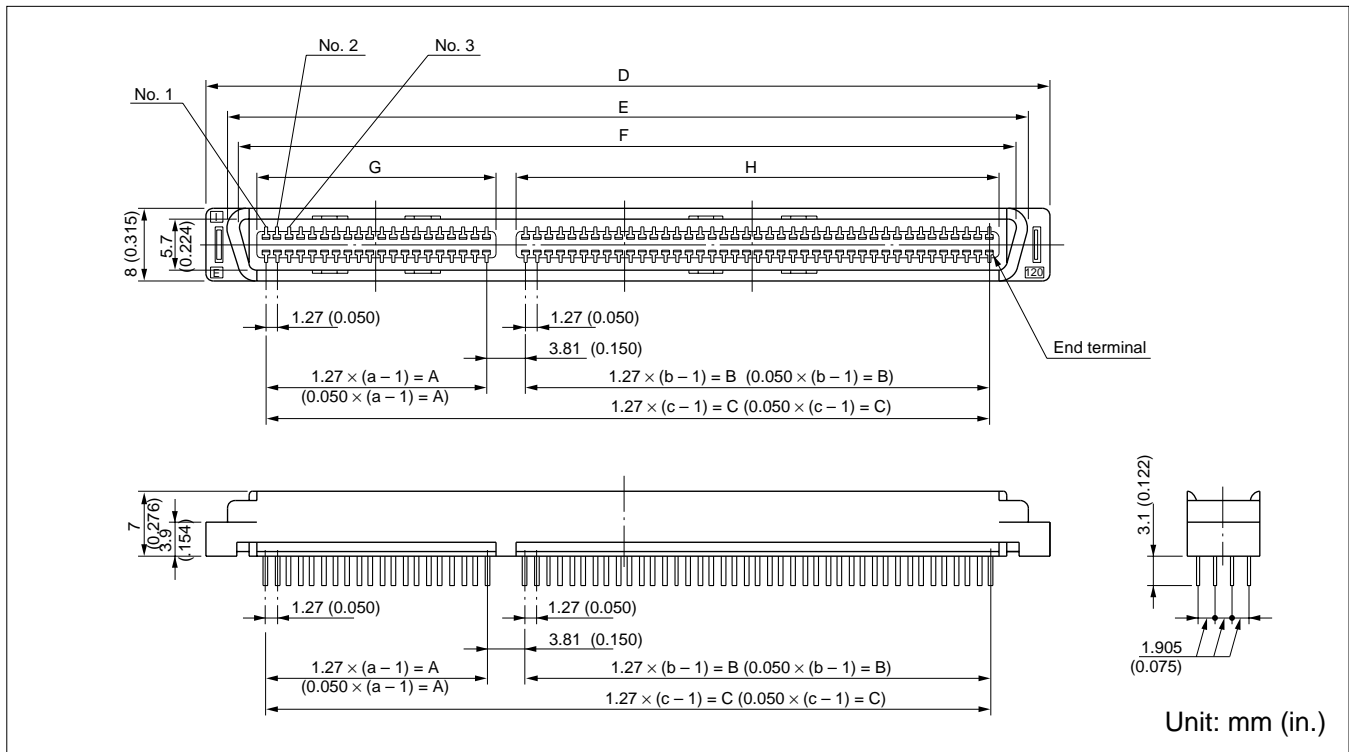
## ■ STACKING SPECIFICATIONS

| Board interval<br>(mm (in.)) |        | 8  | 9   | 10   | 11*  | 12  | 13   | 14   |
|------------------------------|--------|--|---|--|--|---|--|--|
| Mounting dimensions          |        |  8 mm<br>(0.315)        |  9 mm<br>(0.354) |  10 mm<br>(0.394) |  11 mm<br>(0.433) |  12 mm<br>(0.472) |  13 mm<br>(0.512) |  14 mm<br>(0.551) |
| Part number                  | Plug   | FCN-244Mxxx-G/0<br>Note: This plug is used for all dimensions. (Plug with a board lock: FCN-244Mxxx-G/A) |   |  |  |   |  |  |
|                              | Socket | FCN-244Fxxx-G/0<br>FCN-244Fxxx-G/A   | FCN-244Fxxx-G/1<br>FCN-244Fxxx-G/B  | FCN-244Fxxx-G/2<br>FCN-244Fxxx-G/C   | FCN-244Fxxx-G/3<br>FCN-244Fxxx-G/D   | FCN-244Fxxx-G/4<br>FCN-244Fxxx-G/E  | FCN-244Fxxx-G/5<br>FCN-244Fxxx-G/F   | FCN-244Fxxx-G/6<br>FCN-244Fxxx-G/G   |

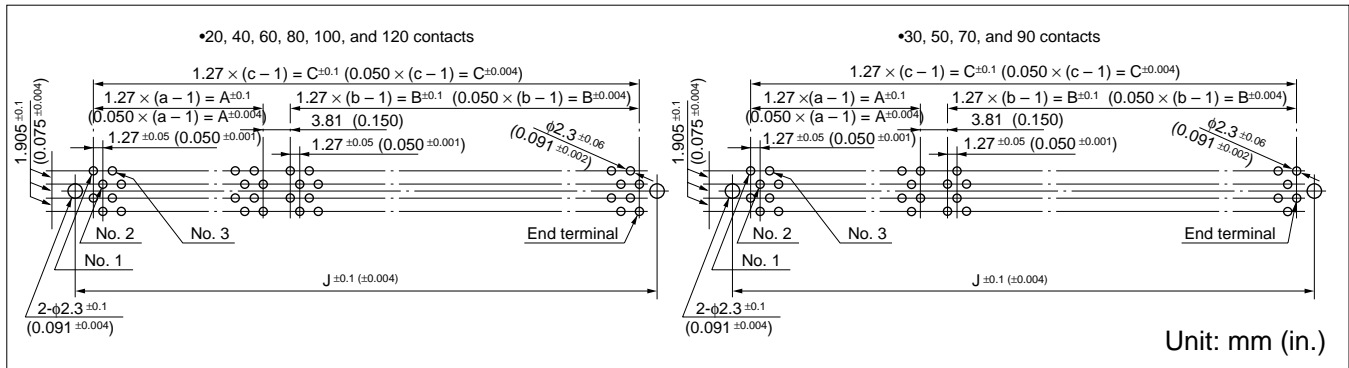
# 240 Series (Low-Profile Stacking)

## STRAIGHT PLUG

### ■ DIMENSIONS



### ■ MOUNTING HOLE LAYOUT (COMPONENT SIDE)



Connectors without a board lock do not require the mounting holes of 2-φ2.3 mm (0.091 in.) at both ends.

### ■ PART NUMBERS AND DIMENSIONS

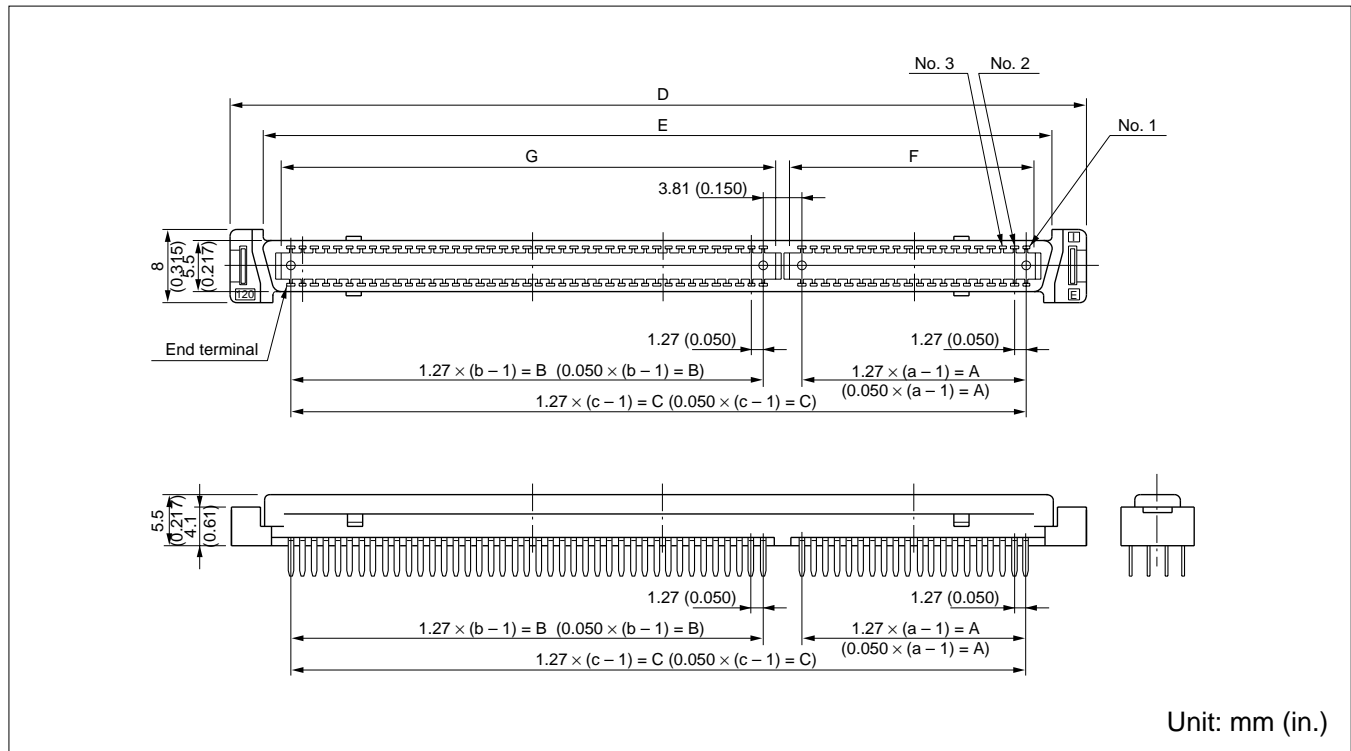
| Number of contacts | Part number     | Dimensions: mm (in.) |              |           |              |           |              |              |              |              |              |              |              |
|--------------------|-----------------|----------------------|--------------|-----------|--------------|-----------|--------------|--------------|--------------|--------------|--------------|--------------|--------------|
|                    |                 | a                    | A            | b         | B            | c         | C            | D            | E            | F            | G            | H            | J            |
| 20                 | FCN-244M020-G/0 | —                    | —            | —         | —            | 10(0.394) | 11.43(0.450) | 24.05(0.947) | 19.27(0.759) | 17.27(0.679) | 13.43(0.680) | —            | 21.40(0.843) |
| 30                 | FCN-244M030-G/0 | —                    | —            | —         | —            | 15(0.591) | 17.78(0.700) | 30.40(1.197) | 25.62(1.009) | 23.62(0.929) | 19.78(0.930) | —            | 27.75(1.093) |
| 40                 | FCN-244M040-G/0 | —                    | —            | —         | —            | 20(0.787) | 24.13(0.950) | 36.75(1.447) | 31.97(1.259) | 29.97(1.179) | 26.13(1.180) | —            | 34.10(1.343) |
| 50                 | FCN-244M050-G/0 | —                    | —            | —         | —            | 25(0.984) | 30.48(1.200) | 43.10(1.697) | 38.32(1.509) | 36.32(1.429) | 32.48(1.430) | —            | 40.45(1.593) |
| 60                 | FCN-244M060-G/0 | —                    | —            | —         | —            | 30(1.181) | 36.83(1.450) | 49.45(1.947) | 44.67(1.759) | 42.67(1.679) | 38.83(1.680) | —            | 46.80(1.845) |
| 70                 | FCN-244M070-G/0 | —                    | —            | —         | —            | 35(1.378) | 43.18(1.700) | 55.80(2.197) | 51.02(2.009) | 49.02(1.929) | 45.18(1.930) | —            | 53.15(2.093) |
| 80                 | FCN-244M080-G/0 | —                    | —            | —         | —            | 40(1.575) | 49.53(1.950) | 62.15(2.447) | 57.37(2.259) | 55.37(2.179) | 51.53(2.180) | —            | 59.50(2.343) |
| 90                 | FCN-244M090-G/0 | —                    | —            | —         | —            | 45(1.772) | 55.88(2.200) | 68.50(2.697) | 63.15(2.517) | 61.62(2.425) | 57.88(2.426) | —            | 65.85(2.593) |
| 100                | FCN-244M100-G/0 | —                    | —            | —         | —            | 50(1.969) | 62.23(2.450) | 74.85(2.947) | 70.07(2.759) | 68.07(2.679) | 64.23(2.680) | —            | 72.20(2.843) |
| 120                | FCN-244M120-G/0 | 20(0.787)            | 24.13(0.950) | 40(1.575) | 49.53(1.950) | —         | 77.47(3.050) | 90.09(3.547) | 85.31(3.359) | 83.31(3.279) | 25.93(3.280) | 51.33(2.021) | 87.44(3.443) |

Connectors with board lock brackets are also available. Specify a part number by replacing -G/0 at the end with -G/A.

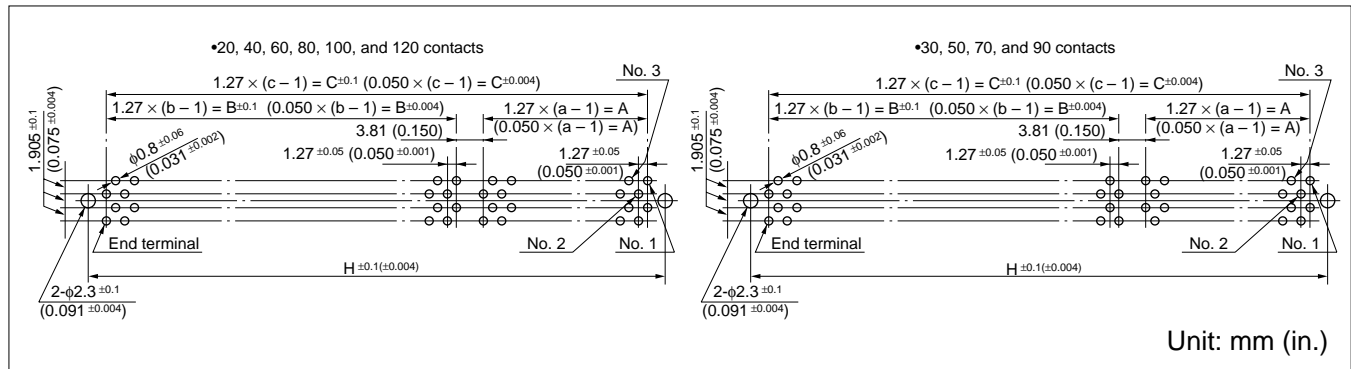
# 240 Series (Low-Profile Stacking)

## STRAIGHT SOCKET [FOR BOARD INTERVAL OF 8 MM (0.315 IN.)]

### ■ DIMENSIONS



### ■ MOUNTING HOLE LAYOUT (COMPONENT SIDE)



Connectors without a board lock do not require the mounting holes of 2-φ2.3 mm (0.091 in.) at both ends.

### ■ PART NUMBERS AND DIMENSIONS

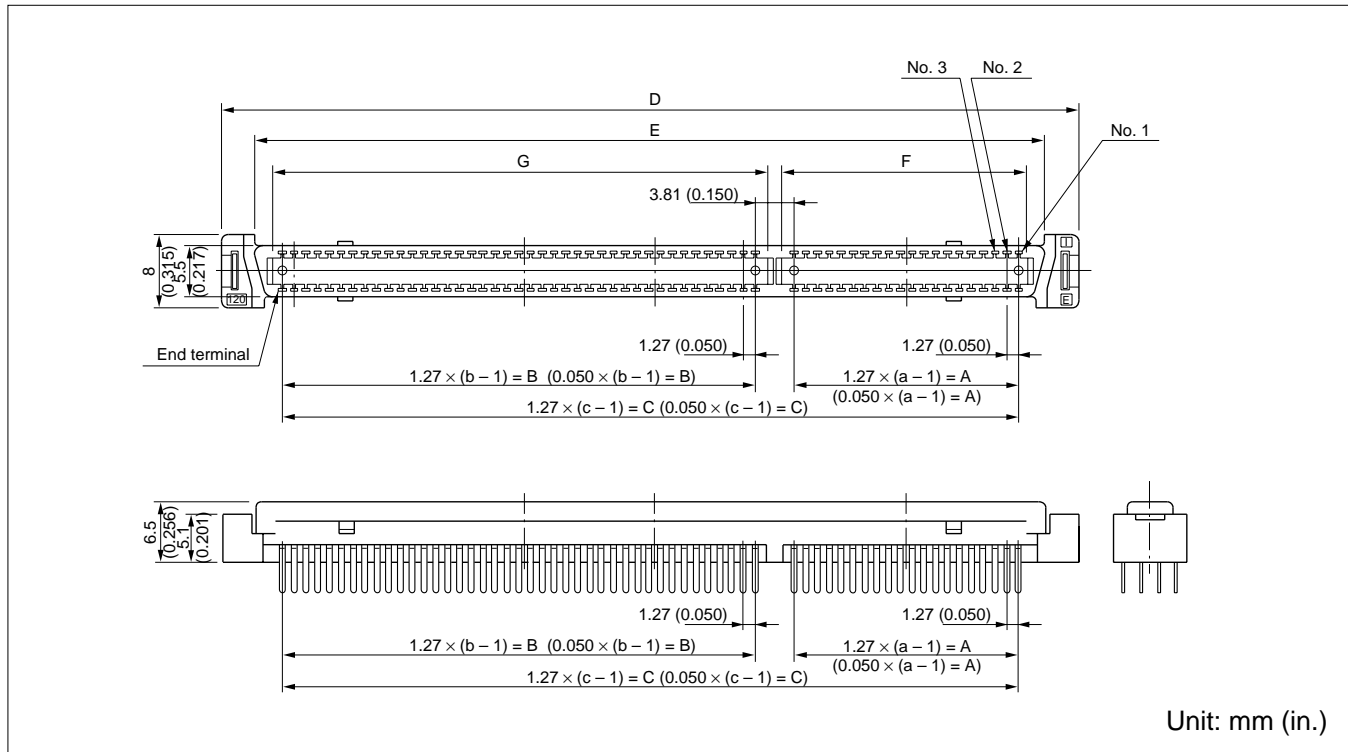
| Number of contacts | Part number     | Dimensions: mm (in.) |              |           |              |           |              |              |              |              |              |              |
|--------------------|-----------------|----------------------|--------------|-----------|--------------|-----------|--------------|--------------|--------------|--------------|--------------|--------------|
|                    |                 | a                    | A            | b         | B            | c         | C            | D            | E            | F            | G            | H            |
| 20                 | FCN-244F020-G/0 | —                    | —            | —         | —            | 10(0.394) | 11.43(0.450) | 24.05(0.947) | 16.77(0.759) | 13.43(0.680) | —            | 21.40(0.843) |
| 30                 | FCN-244F030-G/0 | —                    | —            | —         | —            | 15(0.591) | 17.78(0.700) | 30.40(1.197) | 23.12(1.009) | 19.78(0.930) | —            | 27.75(1.093) |
| 40                 | FCN-244F040-G/0 | —                    | —            | —         | —            | 20(0.787) | 24.13(0.950) | 36.75(1.447) | 29.47(1.259) | 26.13(1.180) | —            | 34.10(1.343) |
| 50                 | FCN-244F050-G/0 | —                    | —            | —         | —            | 25(0.984) | 30.48(1.200) | 43.10(1.697) | 35.82(1.509) | 32.48(1.430) | —            | 40.45(1.593) |
| 60                 | FCN-244F060-G/0 | —                    | —            | —         | —            | 30(1.181) | 36.83(1.450) | 49.45(1.947) | 42.17(1.759) | 38.83(1.680) | —            | 46.80(1.845) |
| 70                 | FCN-244F070-G/0 | —                    | —            | —         | —            | 35(1.378) | 43.18(1.700) | 55.80(2.197) | 48.52(2.009) | 45.18(1.930) | —            | 53.15(2.093) |
| 80                 | FCN-244F080-G/0 | —                    | —            | —         | —            | 40(1.575) | 49.53(1.950) | 62.15(2.447) | 54.87(2.259) | 51.53(2.180) | —            | 59.50(2.343) |
| 90                 | FCN-244F090-G/0 | —                    | —            | —         | —            | 45(1.772) | 55.88(2.200) | 68.50(2.697) | 61.22(2.759) | 57.88(2.426) | —            | 65.85(2.593) |
| 100                | FCN-244F100-G/0 | —                    | —            | —         | —            | 50(1.969) | 62.23(2.450) | 74.85(2.947) | 67.57(2.759) | 64.23(2.680) | —            | 72.20(2.843) |
| 120                | FCN-244F120-G/0 | 20(0.787)            | 24.13(0.950) | 40(1.575) | 49.53(1.950) | —         | 77.47(3.050) | 90.09(3.547) | 82.81(3.359) | 25.93(3.280) | 51.53(2.021) | 87.44(3.443) |

Connectors with board lock brackets are also available. Specify a part number by replacing -G/0 at the end with -G/A.

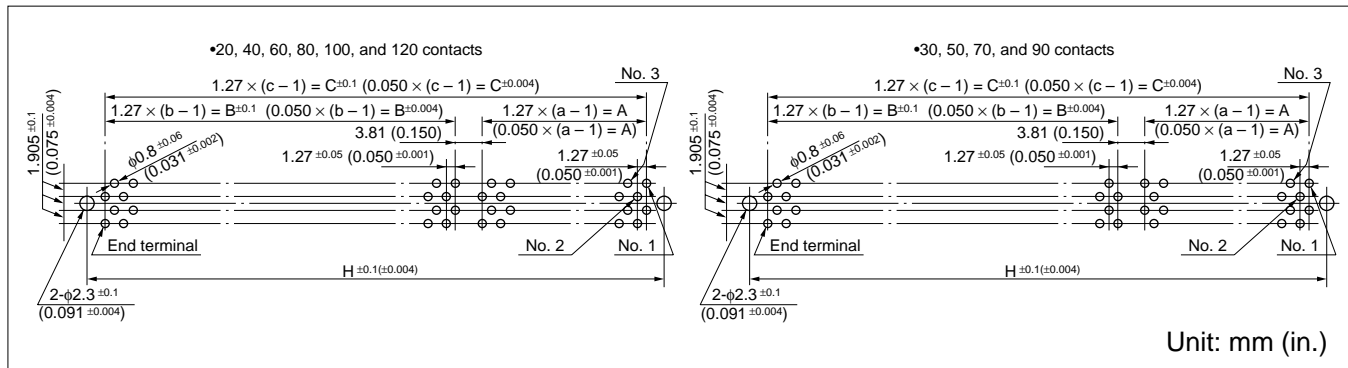
# 240 Series (Low-Profile Stacking)

## STRAIGHT SOCKET [FOR BOARD INTERVAL OF 9 MM (0.354 IN.)]

### ■ DIMENSIONS



### ■ MOUNTING HOLE LAYOUT (COMPONENT SIDE)



Connectors without a board lock do not require the mounting holes of 2-φ2.3 mm (0.091 in.) at both ends.

### ■ PART NUMBERS AND DIMENSIONS

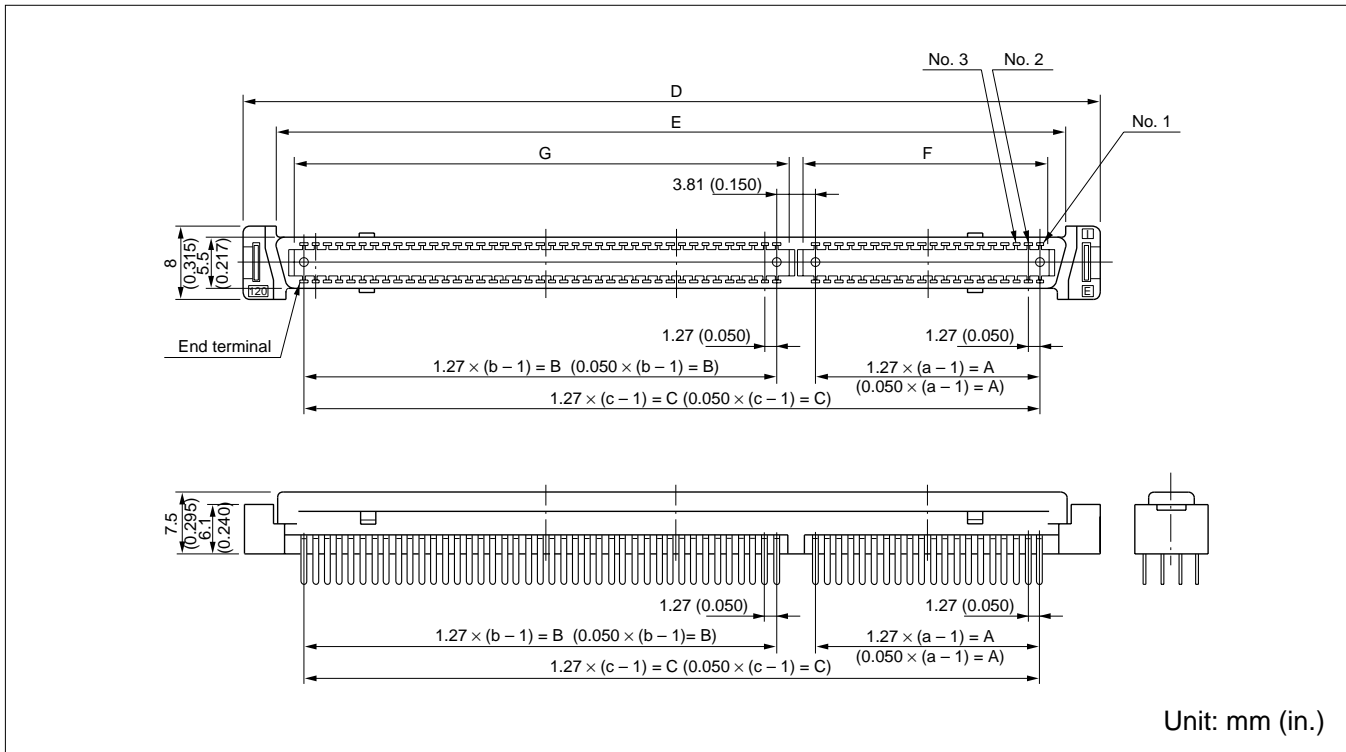
| Number of contacts | Part number     | Dimensions: mm (in.) |              |           |              |           |              |              |              |              |              |              |
|--------------------|-----------------|----------------------|--------------|-----------|--------------|-----------|--------------|--------------|--------------|--------------|--------------|--------------|
|                    |                 | a                    | A            | b         | B            | c         | C            | D            | E            | F            | G            | H            |
| 20                 | FCN-244F020-G/1 | —                    | —            | —         | —            | 10(0.394) | 11.43(0.450) | 24.05(0.947) | 16.77(0.759) | 13.43(0.680) | —            | 21.40(0.843) |
| 30                 | FCN-244F030-G/1 | —                    | —            | —         | —            | 15(0.591) | 17.78(0.700) | 30.40(1.197) | 23.12(1.009) | 19.78(0.930) | —            | 27.75(1.093) |
| 40                 | FCN-244F040-G/1 | —                    | —            | —         | —            | 20(0.787) | 24.13(0.950) | 36.75(1.447) | 29.47(1.259) | 26.13(1.180) | —            | 34.10(1.343) |
| 50                 | FCN-244F050-G/1 | —                    | —            | —         | —            | 25(0.984) | 30.48(1.200) | 43.10(1.697) | 35.82(1.509) | 32.48(1.430) | —            | 40.45(1.593) |
| 60                 | FCN-244F060-G/1 | —                    | —            | —         | —            | 30(1.181) | 36.83(1.450) | 49.45(1.947) | 42.17(1.759) | 38.83(1.680) | —            | 46.80(1.845) |
| 70                 | FCN-244F070-G/1 | —                    | —            | —         | —            | 35(1.378) | 43.18(1.700) | 55.80(2.197) | 48.52(2.009) | 45.18(1.930) | —            | 53.15(2.093) |
| 80                 | FCN-244F080-G/1 | —                    | —            | —         | —            | 40(1.575) | 49.53(1.950) | 62.15(2.447) | 54.87(2.259) | 51.53(2.180) | —            | 59.50(2.343) |
| 90                 | FCN-244F090-G/1 | —                    | —            | —         | —            | 45(1.772) | 55.88(2.200) | 68.50(2.697) | 61.22(2.759) | 57.88(2.426) | —            | 65.85(2.593) |
| 100                | FCN-244F100-G/1 | —                    | —            | —         | —            | 50(1.969) | 62.23(2.450) | 74.85(2.947) | 67.57(2.759) | 64.23(2.680) | —            | 72.20(2.843) |
| 120                | FCN-244F120-G/1 | 20(0.787)            | 24.13(0.950) | 40(1.575) | 49.53(1.950) | —         | 77.47(3.050) | 90.09(3.547) | 82.81(3.359) | 25.93(3.280) | 51.53(2.021) | 87.44(3.443) |

Connectors with board lock brackets are also available. Specify a part number by replacing -G/1 at the end with -G/B.

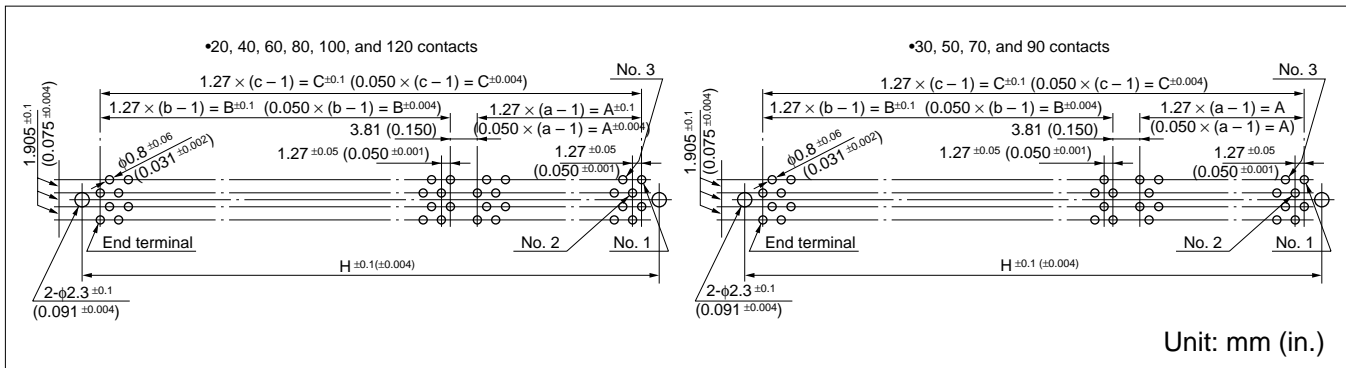
# 240 Series (Low-Profile Stacking)

## STRAIGHT SOCKET [FOR BOARD INTERVAL OF 10 MM (0.394 IN.)]

### ■ DIMENSIONS



### ■ MOUNTING HOLE LAYOUT (COMPONENT SIDE)



Connectors without a board lock do not require the mounting holes of 2-φ2.3 mm (0.091 in.) at both ends.

### ■ PART NUMBERS AND DIMENSIONS

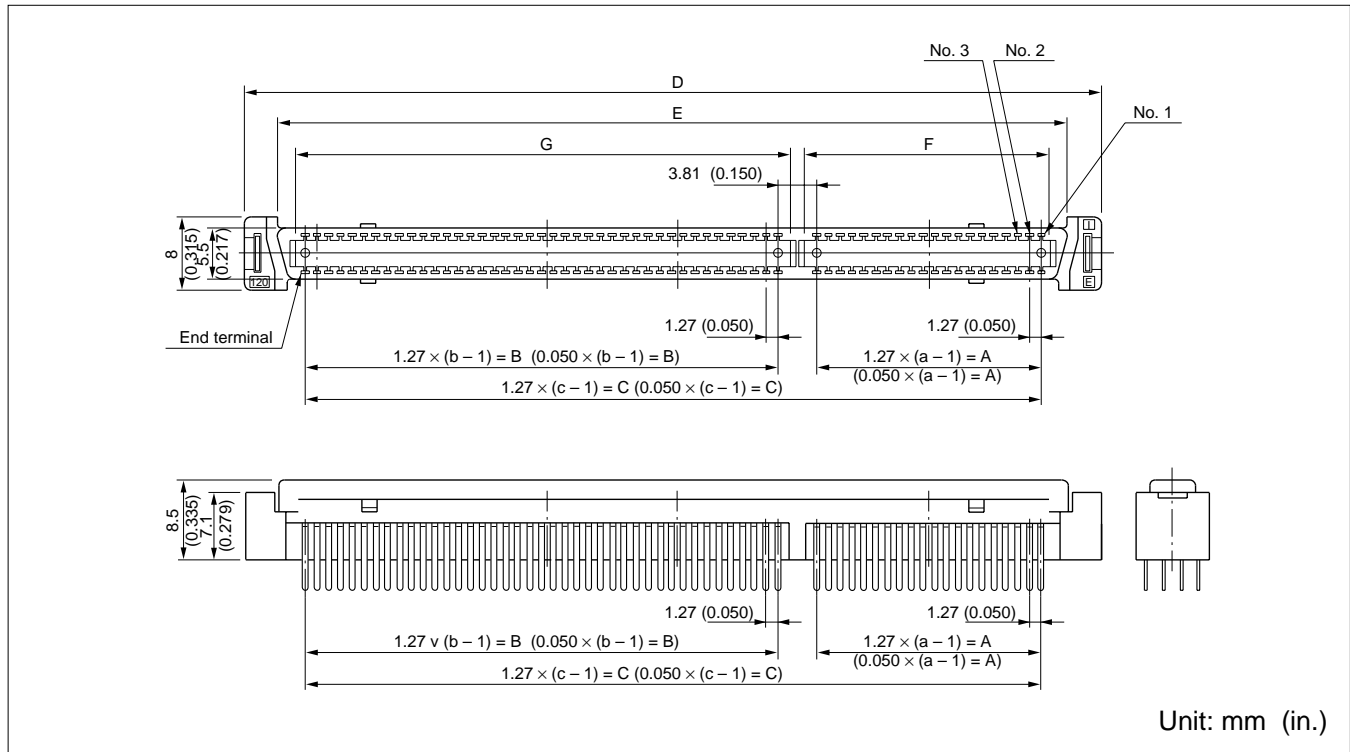
| Number of contacts | Part number     | Dimensions: mm (in.) |              |           |              |           |              |              |              |              |              |              |
|--------------------|-----------------|----------------------|--------------|-----------|--------------|-----------|--------------|--------------|--------------|--------------|--------------|--------------|
|                    |                 | a                    | A            | b         | B            | c         | C            | D            | E            | F            | G            | H            |
| 20                 | FCN-244F020-G/2 | —                    | —            | —         | —            | 10(0.394) | 11.43(0.450) | 24.05(0.947) | 16.77(0.759) | 13.43(0.680) | —            | 21.40(0.843) |
| 30                 | FCN-244F030-G/2 | —                    | —            | —         | —            | 15(0.591) | 17.78(0.700) | 30.40(1.197) | 23.12(1.009) | 19.78(0.930) | —            | 27.75(1.093) |
| 40                 | FCN-244F040-G/2 | —                    | —            | —         | —            | 20(0.787) | 24.13(0.950) | 36.75(1.447) | 29.47(1.259) | 26.13(1.180) | —            | 34.10(1.343) |
| 50                 | FCN-244F050-G/2 | —                    | —            | —         | —            | 25(0.984) | 30.48(1.200) | 43.10(1.697) | 35.82(1.509) | 32.48(1.430) | —            | 40.45(1.593) |
| 60                 | FCN-244F060-G/2 | —                    | —            | —         | —            | 30(1.181) | 36.83(1.450) | 49.45(1.947) | 42.17(1.759) | 38.83(1.680) | —            | 46.80(1.845) |
| 70                 | FCN-244F070-G/2 | —                    | —            | —         | —            | 35(1.378) | 43.18(1.700) | 55.80(2.197) | 48.52(2.009) | 45.18(1.930) | —            | 53.15(2.093) |
| 80                 | FCN-244F080-G/2 | —                    | —            | —         | —            | 40(1.575) | 49.53(1.950) | 62.15(2.447) | 54.87(2.259) | 51.53(2.180) | —            | 59.50(2.343) |
| 90                 | FCN-244F090-G/2 | —                    | —            | —         | —            | 45(1.772) | 55.88(2.200) | 68.50(2.697) | 61.22(2.759) | 57.88(2.426) | —            | 65.85(2.593) |
| 100                | FCN-244F100-G/2 | —                    | —            | —         | —            | 50(1.969) | 62.23(2.450) | 74.85(2.947) | 67.57(2.759) | 64.23(2.680) | —            | 72.20(2.843) |
| 120                | FCN-244F120-G/2 | 20(0.787)            | 24.13(0.950) | 40(1.575) | 49.53(1.950) | —         | 77.47(3.050) | 90.09(3.547) | 82.81(3.359) | 25.93(3.280) | 51.53(2.021) | 87.44(3.443) |

Connectors with board lock brackets are also available. Specify a part number by replacing -G/2 at the end with -G/C.

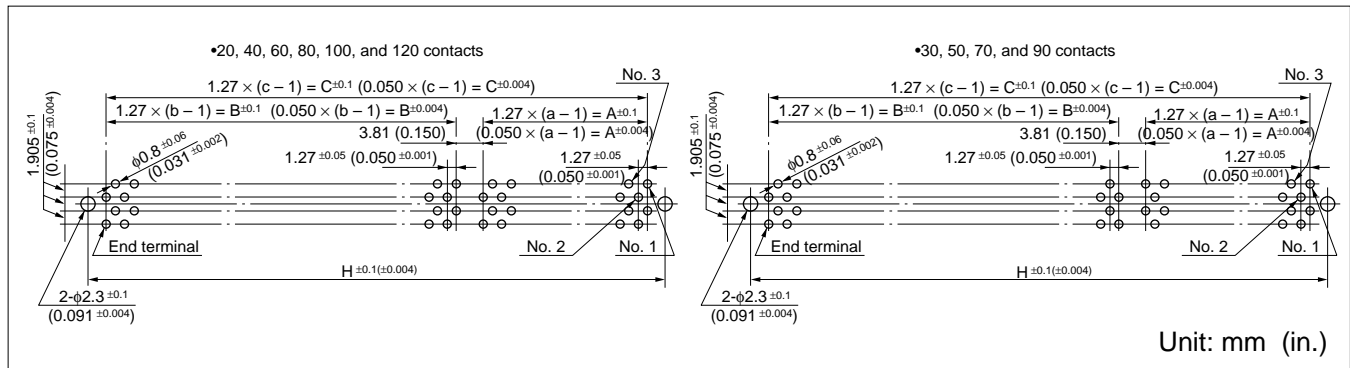
# 240 Series (Low-Profile Stacking)

## STRAIGHT SOCKET [FOR BOARD INTERVAL OF 11 MM (0.433 IN.)]

### ■ DIMENSIONS



### ■ MOUNTING HOLE LAYOUT (COMPONENT SIDE)



Connectors without a board lock do not require the mounting holes of 2-φ2.3 mm (0.091 in.) at both ends.

### ■ PART NUMBERS AND DIMENSIONS

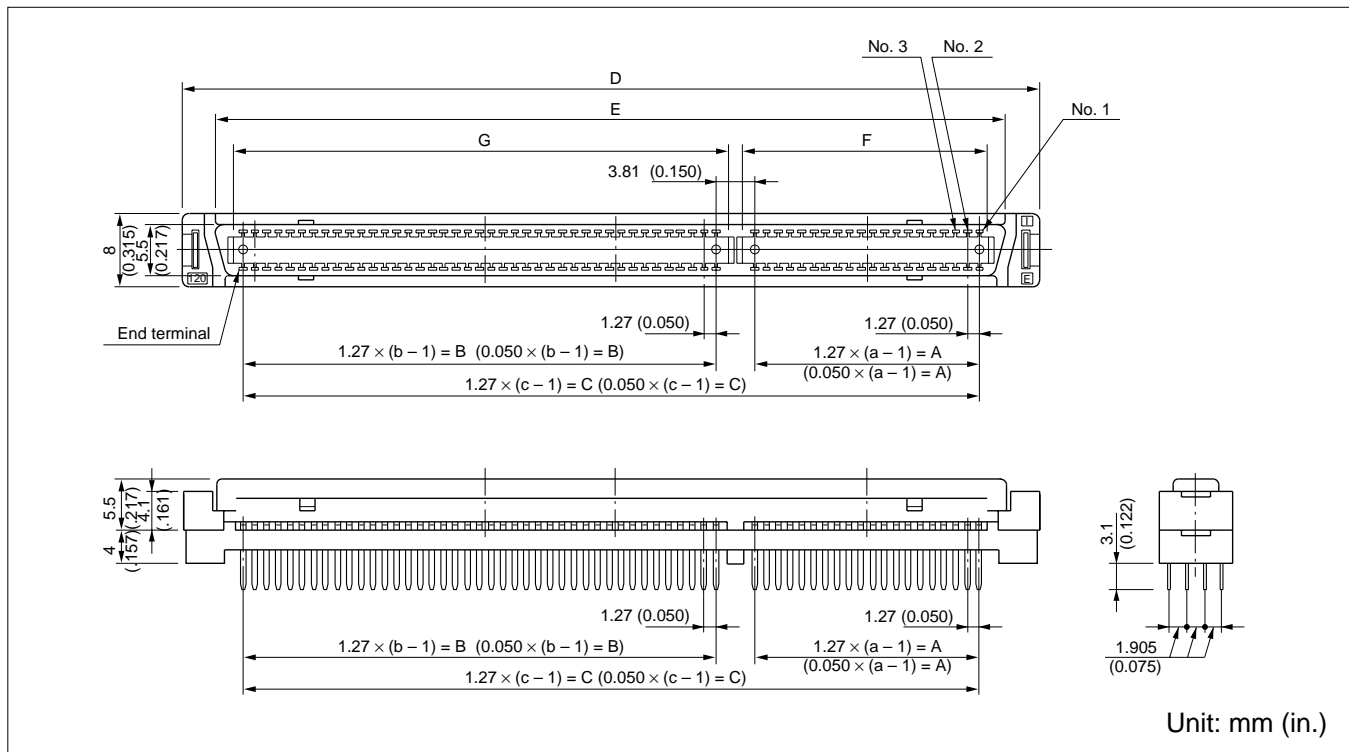
| Number of contacts | Part number     | Dimensions: mm (in.) |              |           |              |           |              |              |              |              |              |              |
|--------------------|-----------------|----------------------|--------------|-----------|--------------|-----------|--------------|--------------|--------------|--------------|--------------|--------------|
|                    |                 | a                    | A            | b         | B            | c         | C            | D            | E            | F            | G            | H            |
| 20                 | FCN-244F020-G/3 | —                    | —            | —         | —            | 10(0.394) | 11.43(0.450) | 24.05(0.947) | 16.77(0.759) | 13.43(0.680) | —            | 21.40(0.843) |
| 30                 | FCN-244F030-G/3 | —                    | —            | —         | —            | 15(0.591) | 17.78(0.700) | 30.40(1.197) | 23.12(1.009) | 19.78(0.930) | —            | 27.75(1.093) |
| 40                 | FCN-244F040-G/3 | —                    | —            | —         | —            | 20(0.787) | 24.13(0.950) | 36.75(1.447) | 29.47(1.259) | 26.13(1.180) | —            | 34.10(1.343) |
| 50                 | FCN-244F050-G/3 | —                    | —            | —         | —            | 25(0.984) | 30.48(1.200) | 43.10(1.697) | 35.82(1.509) | 32.48(1.430) | —            | 40.45(1.593) |
| 60                 | FCN-244F060-G/3 | —                    | —            | —         | —            | 30(1.181) | 36.83(1.450) | 49.45(1.947) | 42.17(1.759) | 38.83(1.680) | —            | 46.80(1.845) |
| 70                 | FCN-244F070-G/3 | —                    | —            | —         | —            | 35(1.378) | 43.18(1.700) | 55.80(2.197) | 48.52(2.009) | 45.18(1.930) | —            | 53.15(2.093) |
| 80                 | FCN-244F080-G/3 | —                    | —            | —         | —            | 40(1.575) | 49.53(1.950) | 62.15(2.447) | 54.87(2.259) | 51.53(2.180) | —            | 59.50(2.343) |
| 90                 | FCN-244F090-G/3 | —                    | —            | —         | —            | 45(1.772) | 55.88(2.200) | 68.50(2.697) | 61.22(2.759) | 57.88(2.426) | —            | 65.85(2.593) |
| 100                | FCN-244F100-G/3 | —                    | —            | —         | —            | 50(1.969) | 62.23(2.450) | 74.85(2.947) | 67.57(2.759) | 64.23(2.680) | —            | 72.20(2.843) |
| 120                | FCN-244F120-G/3 | 20(0.787)            | 24.13(0.950) | 40(1.575) | 49.53(1.950) | —         | 77.47(3.050) | 90.09(3.547) | 82.81(3.359) | 25.93(3.280) | 51.53(2.021) | 87.44(3.443) |

Connectors with board lock brackets are also available. Specify a part number by replacing -G/3 at the end with -G/D.

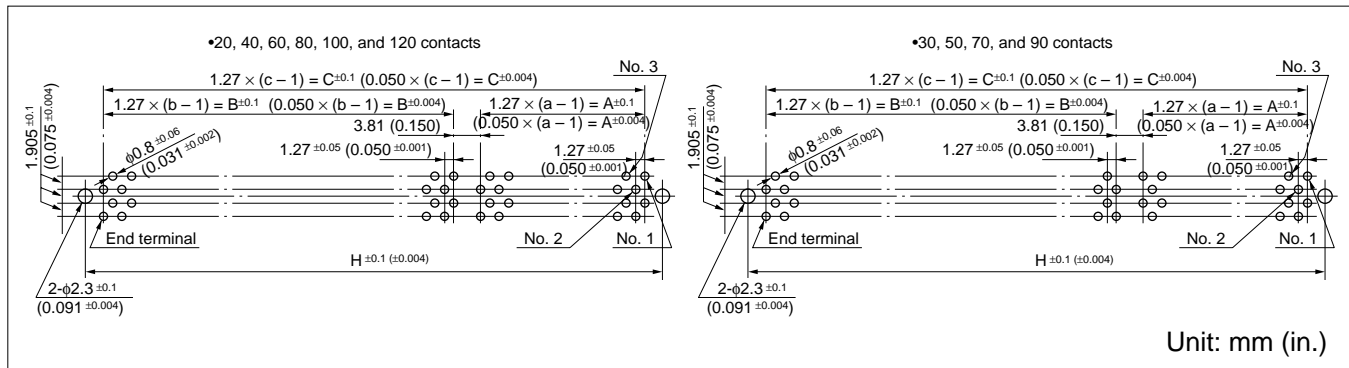
# 240 Series (Low-Profile Stacking)

STRAIGHT SOCKET [FOR BOARD INTERVAL OF 12 MM (0.472 IN.)]

## ■ DIMENSIONS



## ■ MOUNTING HOLE LAYOUT (COMPONENT SIDE)



Connectors without a board lock do not require the mounting holes of 2-φ2.3 mm (0.091 in.) at both ends.

## ■ PART NUMBERS AND DIMENSIONS

| Number of contacts | Part number     | Dimensions: mm (in.) |              |           |              |           |              |              |              |              |              |              |
|--------------------|-----------------|----------------------|--------------|-----------|--------------|-----------|--------------|--------------|--------------|--------------|--------------|--------------|
|                    |                 | a                    | A            | b         | B            | c         | C            | D            | E            | F            | G            | H            |
| 20                 | FCN-244F020-G/4 | —                    | —            | —         | —            | 10(0.394) | 11.43(0.450) | 24.05(0.947) | 16.77(0.759) | 13.43(0.680) | —            | 1.40(0.843)  |
| 30                 | FCN-244F030-G/4 | —                    | —            | —         | —            | 15(0.591) | 17.78(0.700) | 30.40(1.197) | 23.12(1.009) | 19.78(0.930) | —            | 27.75(1.093) |
| 40                 | FCN-244F040-G/4 | —                    | —            | —         | —            | 20(0.787) | 24.13(0.950) | 36.75(1.447) | 29.47(1.259) | 26.13(1.180) | —            | 34.10(1.343) |
| 50                 | FCN-244F050-G/4 | —                    | —            | —         | —            | 25(0.984) | 30.48(1.200) | 43.10(1.697) | 35.82(1.509) | 32.48(1.430) | —            | 40.45(1.593) |
| 60                 | FCN-244F060-G/4 | —                    | —            | —         | —            | 30(1.181) | 36.83(1.450) | 49.45(1.947) | 42.17(1.759) | 38.83(1.680) | —            | 46.80(1.845) |
| 70                 | FCN-244F070-G/4 | —                    | —            | —         | —            | 35(1.378) | 43.18(1.700) | 55.80(2.197) | 48.52(2.009) | 45.18(1.930) | —            | 53.15(2.093) |
| 80                 | FCN-244F080-G/4 | —                    | —            | —         | —            | 40(1.575) | 49.53(1.950) | 62.15(2.447) | 54.87(2.259) | 51.53(2.180) | —            | 59.50(2.343) |
| 90                 | FCN-244F090-G/4 | —                    | —            | —         | —            | 45(1.772) | 55.88(2.200) | 68.50(2.697) | 61.22(2.759) | 57.88(2.426) | —            | 65.85(2.593) |
| 100                | FCN-244F100-G/4 | —                    | —            | —         | —            | 50(1.969) | 62.23(2.450) | 74.85(2.947) | 67.57(2.759) | 64.23(2.680) | —            | 72.20(2.843) |
| 120                | FCN-244F120-G/4 | 20(0.787)            | 24.13(0.950) | 40(1.575) | 49.53(1.950) | —         | 77.47(3.050) | 90.09(3.547) | 82.81(3.359) | 25.93(3.280) | 51.53(2.021) | 87.44(3.443) |

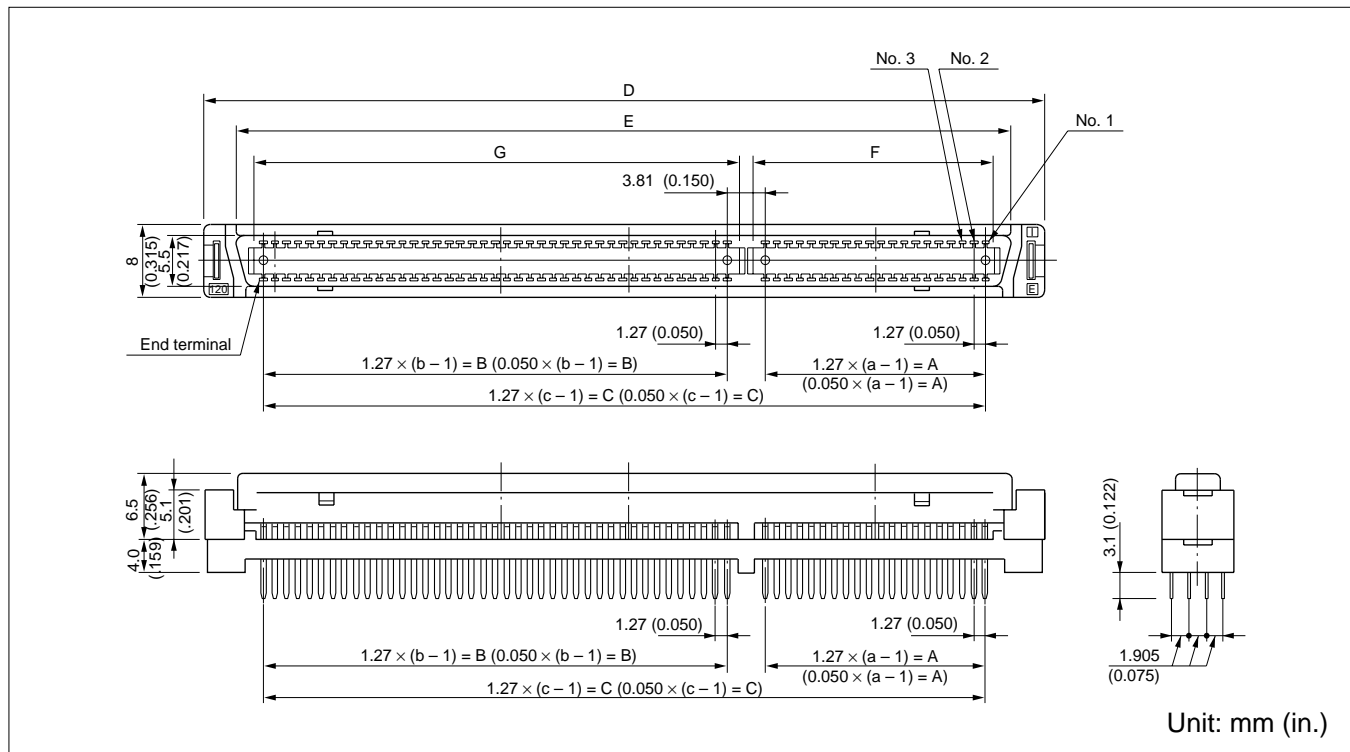
Connectors with board lock brackets are also available. Specify a part number by replacing -G/4 at the end with -G/E.



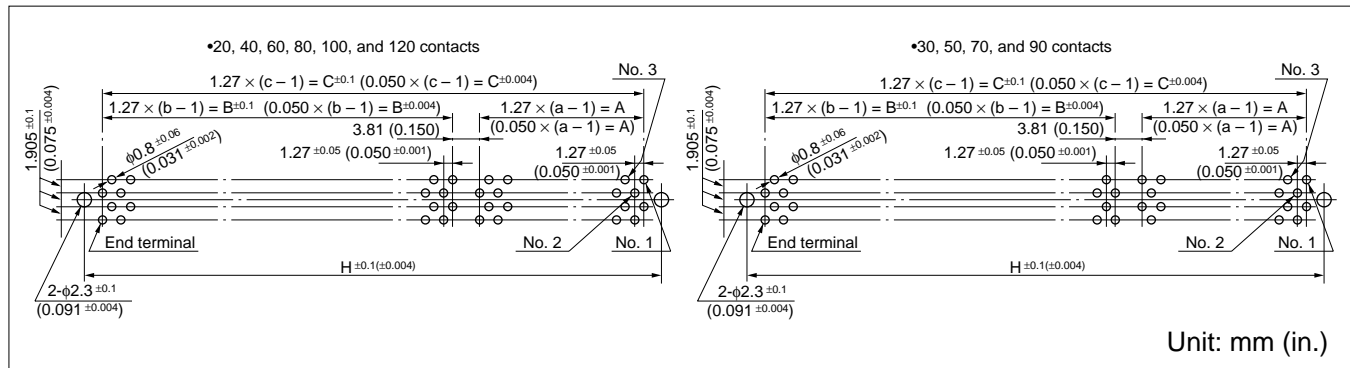
# 240 Series (Low-Profile Stacking)

## STRAIGHT SOCKET [FOR BOARD INTERVAL OF 13 MM (0.512 IN.)]

### ■ DIMENSIONS



### ■ MOUNTING HOLE LAYOUT (COMPONENT SIDE)



Connectors without a board lock do not require the mounting holes of 2-φ2.3 mm (0.091 in.) at both ends.

### ■ PART NUMBERS AND DIMENSIONS

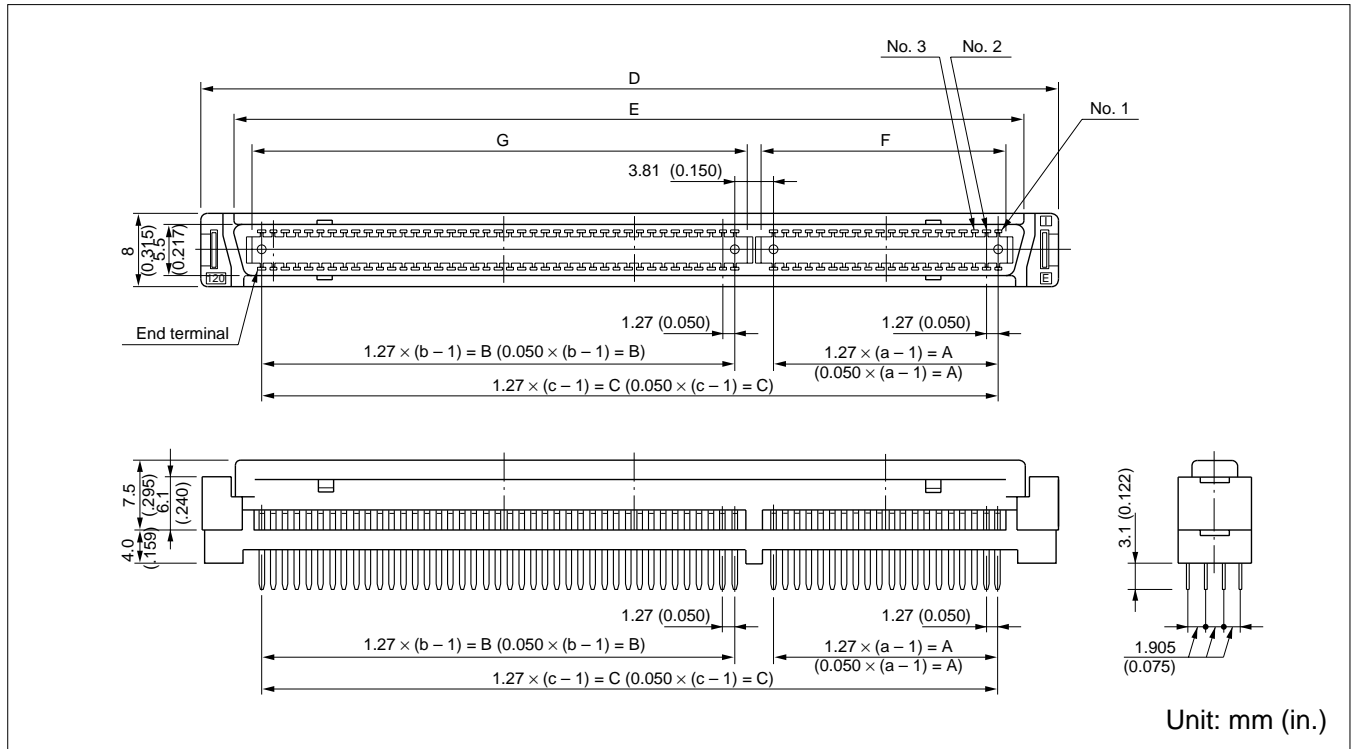
| Number of contacts | Part number     | Dimensions: mm (in.) |              |           |              |           |              |              |              |              |              |              |
|--------------------|-----------------|----------------------|--------------|-----------|--------------|-----------|--------------|--------------|--------------|--------------|--------------|--------------|
|                    |                 | a                    | A            | b         | B            | c         | C            | D            | E            | F            | G            | H            |
| 20                 | FCN-244F020-G/5 | —                    | —            | —         | —            | 10(0.394) | 11.43(0.450) | 24.05(0.947) | 16.77(0.759) | 13.43(0.680) | —            | 1.40(0.843)  |
| 30                 | FCN-244F030-G/5 | —                    | —            | —         | —            | 15(0.591) | 17.78(0.700) | 30.40(1.197) | 23.12(1.009) | 19.78(0.930) | —            | 27.75(1.093) |
| 40                 | FCN-244F040-G/5 | —                    | —            | —         | —            | 20(0.787) | 24.13(0.950) | 36.75(1.447) | 29.47(1.259) | 26.13(1.180) | —            | 34.10(1.343) |
| 50                 | FCN-244F050-G/5 | —                    | —            | —         | —            | 25(0.984) | 30.48(1.200) | 43.10(1.697) | 35.82(1.509) | 32.48(1.430) | —            | 40.45(1.593) |
| 60                 | FCN-244F060-G/5 | —                    | —            | —         | —            | 30(1.181) | 36.83(1.450) | 49.45(1.947) | 42.17(1.759) | 38.83(1.680) | —            | 46.80(1.845) |
| 70                 | FCN-244F070-G/5 | —                    | —            | —         | —            | 35(1.378) | 43.18(1.700) | 55.80(2.197) | 48.52(2.009) | 45.18(1.930) | —            | 53.15(2.093) |
| 80                 | FCN-244F080-G/5 | —                    | —            | —         | —            | 40(1.575) | 49.53(1.950) | 62.15(2.447) | 54.87(2.259) | 51.53(2.180) | —            | 59.50(2.343) |
| 90                 | FCN-244F090-G/5 | —                    | —            | —         | —            | 45(1.772) | 55.88(2.200) | 68.50(2.697) | 61.22(2.759) | 57.88(2.426) | —            | 65.85(2.593) |
| 100                | FCN-244F100-G/5 | —                    | —            | —         | —            | 50(1.969) | 62.23(2.450) | 74.85(2.947) | 67.57(2.759) | 64.23(2.680) | —            | 72.20(2.843) |
| 120                | FCN-244F120-G/5 | 20(0.787)            | 24.13(0.950) | 40(1.575) | 49.53(1.950) | —         | 77.47(3.050) | 90.09(3.547) | 82.81(3.359) | 25.93(3.280) | 51.53(2.021) | 87.44(3.443) |

Connectors with board lock brackets are also available. Specify a part number by replacing -G/5 at the end with -G/F.

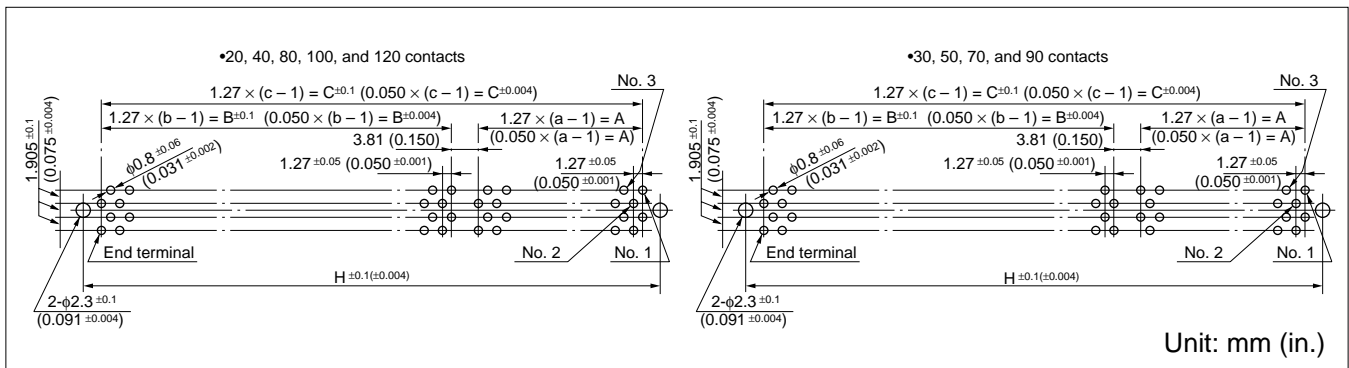
# 240 Series (Low-Profile Stacking)

## STRAIGHT SOCKET [FOR BOARD INTERVAL OF 14 MM (0.552 IN.)]

### ■ DIMENSIONS



### ■ MOUNTING HOLE LAYOUT (COMPONENT SIDE)



Connectors without a board lock do not require the mounting holes of 2-φ2.3 mm (0.091 in.) at both ends.

### ■ PART NUMBERS AND DIMENSIONS

| Number of contacts | Part number     | Dimensions: mm (in.) |              |            |              |            |              |              |              |              |              |              |
|--------------------|-----------------|----------------------|--------------|------------|--------------|------------|--------------|--------------|--------------|--------------|--------------|--------------|
|                    |                 | a                    | A            | b          | B            | c          | C            | D            | E            | F            | G            | H            |
| 20                 | FCN-244F020-G/6 | —                    | —            | —          | —            | 10 (0.394) | 11.43(0.450) | 24.05(0.947) | 19.27(0.759) | 13.43(0.680) | —            | 21.40(0.843) |
| 30                 | FCN-244F030-G/6 | —                    | —            | —          | —            | 15 (0.591) | 17.78(0.700) | 30.40(1.197) | 25.62(1.009) | 19.78(0.930) | —            | 27.75(1.093) |
| 40                 | FCN-244F040-G/6 | —                    | —            | —          | —            | 20 (0.787) | 24.13(0.950) | 36.75(1.447) | 31.97(1.259) | 26.13(1.180) | —            | 34.10(1.343) |
| 50                 | FCN-244F050-G/6 | —                    | —            | —          | —            | 25 (0.984) | 30.48(1.200) | 43.10(1.697) | 38.32(1.509) | 32.48(1.430) | —            | 40.45(1.593) |
| 60                 | FCN-244F060-G/6 | —                    | —            | —          | —            | 30 (1.181) | 36.83(1.450) | 49.45(1.947) | 44.67(1.759) | 38.83(1.680) | —            | 46.80(1.845) |
| 70                 | FCN-244F070-G/6 | —                    | —            | —          | —            | 35 (1.378) | 43.18(1.700) | 55.80(2.197) | 51.02(2.009) | 45.18(1.930) | —            | 53.15(2.093) |
| 80                 | FCN-244F080-G/6 | —                    | —            | —          | —            | 40 (1.575) | 49.53(1.950) | 62.15(2.447) | 57.37(2.259) | 51.53(2.180) | —            | 59.50(2.343) |
| 90                 | FCN-244F090-G/6 | —                    | —            | —          | —            | 45 (1.772) | 55.88(2.200) | 68.50(2.697) | 63.15(2.517) | 57.88(2.426) | —            | 65.85(2.593) |
| 100                | FCN-244F100-G/6 | —                    | —            | —          | —            | 50 (1.969) | 62.23(2.450) | 74.85(2.947) | 70.07(2.759) | 64.23(2.680) | —            | 72.20(2.843) |
| 120                | FCN-244F120-G/6 | 20 (0.787)           | 24.13(0.950) | 40 (1.575) | 49.53(1.950) | —          | 77.47(3.050) | 90.09(3.547) | 85.31(3.359) | 25.93(3.280) | 51.33(2.021) | 87.44(3.443) |

Connectors with board lock brackets are also available. Specify a part number by replacing -G/6 at the end with -G/G.

# 240 Series (Low-Profile Stacking)

## Fujitsu Components International Headquarter Offices

### Japan

Fujitsu Component Limited  
Gotanda-Chuo Building  
3-5, Higashigotanda 2-chome, Shinagawa-ku  
Tokyo 141-0022, Japan  
Tel: (81-3) 5449-7010  
Fax: (81-3) 5449-2626  
Email: [promothq@fcl.fujitsu.com](mailto:promothq@fcl.fujitsu.com)  
Web: [www.fcl.fujitsu.com](http://www.fcl.fujitsu.com)

### North and South America

Fujitsu Components America, Inc.  
250 E. Caribbean Drive  
Sunnyvale, CA 94089 U.S.A.  
Tel: (1-408) 745-4900  
Fax: (1-408) 745-4970  
Email: [components@us.fujitsu.com](mailto:components@us.fujitsu.com)  
Web: <http://us.fujitsu.com/components>

### Europe

Fujitsu Components Europe B.V.  
Diamantlaan 25  
2132 WV Hoofddorp  
Netherlands  
Tel: (31-23) 5560910  
Fax: (31-23) 5560950  
Email: [info@fceu.fujitsu.com](mailto:info@fceu.fujitsu.com)  
Web: [emea.fujitsu.com/components](http://emea.fujitsu.com/components)

### Asia Pacific

Fujitsu Components Asia Ltd.  
102E Pasir Panjang Road  
#01-01 Citilink Warehouse Complex  
Singapore 118529  
Tel: (65) 6375-8560  
Fax: (65) 6273-3021  
Email: [fcal@fcal.fujitsu.com](mailto:fcal@fcal.fujitsu.com)  
[www.fcal.fujitsu.com](http://www.fcal.fujitsu.com)

© 2007 Fujitsu Components America, Inc. All rights reserved. All trademarks or registered trademarks are the property of their respective owners. Fujitsu Components America, Inc. or its affiliates do not warrant that the content of the datasheet is error free. In a continuing effort to improve our products, Fujitsu Components America, Inc. or its affiliates reserve the right to change specifications/datasheets without prior notice. Rev. November 2, 2007.