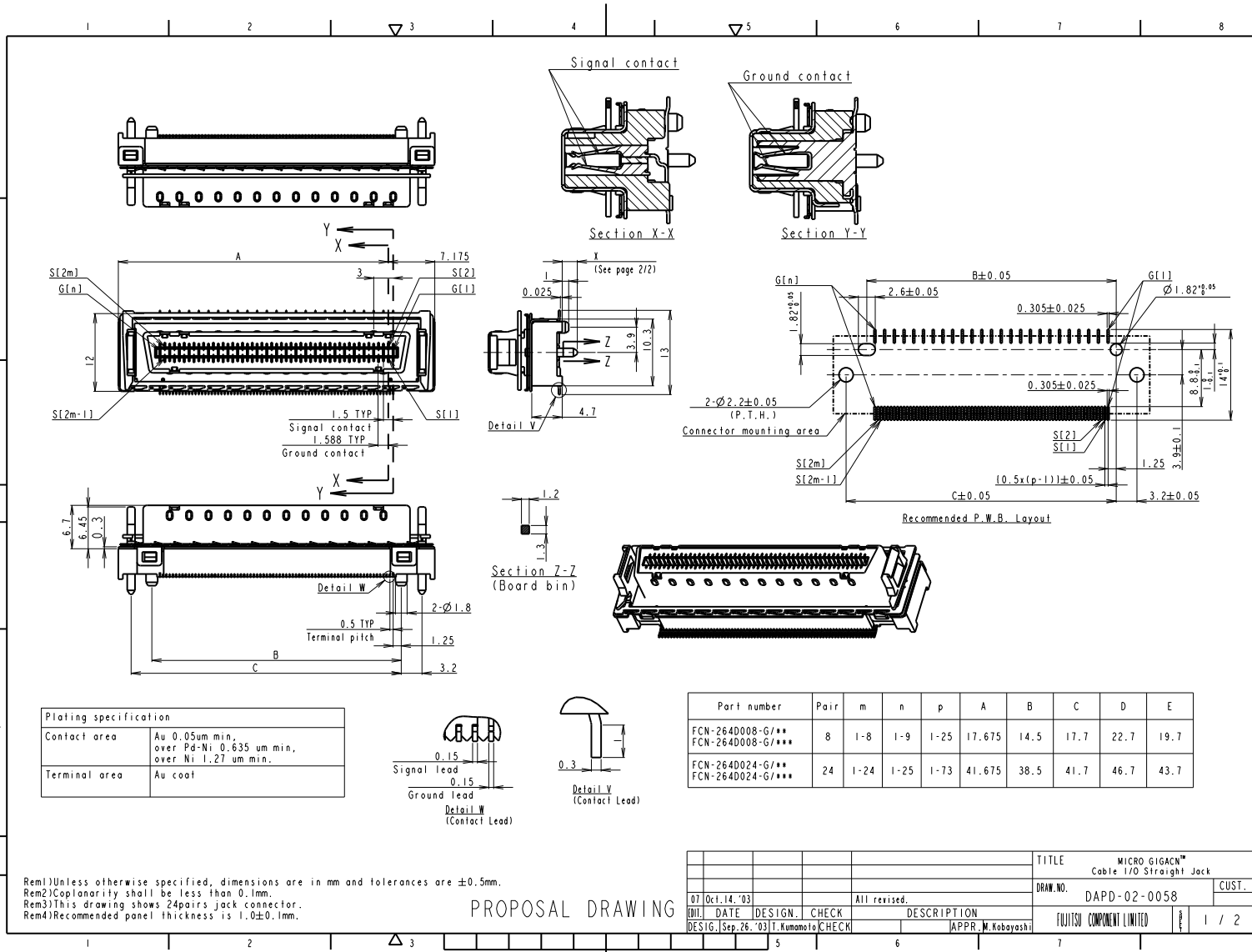
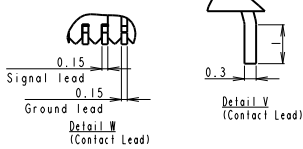


DATE DOCUMENT CONTROL SECTION



Plating specification	
Contact area	Au 0.05um min. over Pd-Ni 0.635 um min. over Ni 1.27 um min.
Terminal area	Au coat



Part number	Pair	m	n	p	A	B	C	D	E
FCN-264D008-G/**	8	1-8	1-9	1-25	17.675	14.5	17.7	22.7	19.7
FCN-264D008-G/***									
FCN-264D024-G/**	24	1-24	1-25	1-73	41.675	38.5	41.7	46.7	43.7
FCN-264D024-G/***									

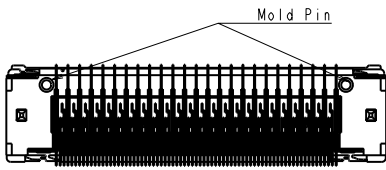
Rem1) Unless otherwise specified, dimensions are in mm and tolerances are ± 0.5 mm.
 Rem2) Coplanarity shall be less than 0.1mm.
 Rem3) This drawing shows 24 pairs jack connector.
 Rem4) Recommended panel thickness is 1.0 ± 0.1 mm.

PROPOSAL DRAWING

					TITLE		MICRO GIGACN™ Cable I/O Straight Jack	
REV.	DATE	DESIGN.	CHECK	DESCRIPTION	DRAW. NO.		CUST.	
07	Oct. 14 '03			All revised.	DAPD-02-0058			
		DESIGN	SEP. 26 '03	T. Kumamoto	CHECK		APPR	M. Kobayashi
						FUJITSU COMPONENT LIMITED		1 / 2

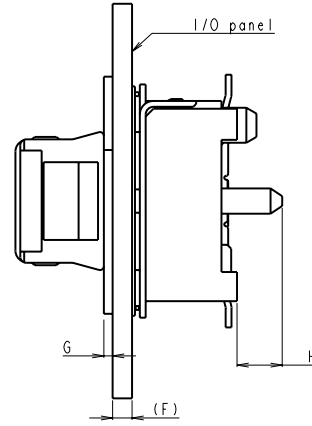
FCN-264D0**-G/ **, -G/ **

(Mold pin type)

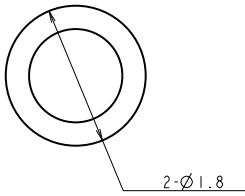


FCN-264D0**-G/ **, -G/ **

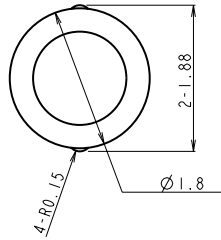
(Recommended P.W.B. thickness)



FCN-264D0**-G/ 1 *, -G/ 1 **
(Alignment pin type)



FCN-264D0**-G/ 2 *, -G/ 2 **
(Crush pin type)



Lock plate thickness

Part No.	F: Panel Thickness	G: Lock plate thickness
FCN-264D008-G/**	1.0	0.5: FCN-260A622
FCN-264D024-G/**		FCN-260A626
FCN-264D008-G/**I	1.2	0.3: FCN-260A632
FCN-264D024-G/**I		FCN-260A636

Solder post length

Part No.	P.W.B. Thickness	H
FCN-264D0**-G/*D	1.6	2.325
FCN-264D0**-G/*DI		
FCN-264D0**-G/*F	2.4	3.125
FCN-264D0**-G/*FI		
FCN-264D0**-G/*K	4.0	4.725
FCN-264D0**-G/*KI		

DATE DOCUMENT CONTROL SECTION

				TITLE MICRO GIGACM™ Cable I/O Straight Jack	
				DRAW. NO. DAPD-02-0058	
07	Oct. 14, '03	All revised.		CUST.	
DESIGN	DATE	CHECK	DESCRIPTION	FUJITSU COMPONENT LIMITED	
DESIG.		CHECH	APPR	2 / 2	