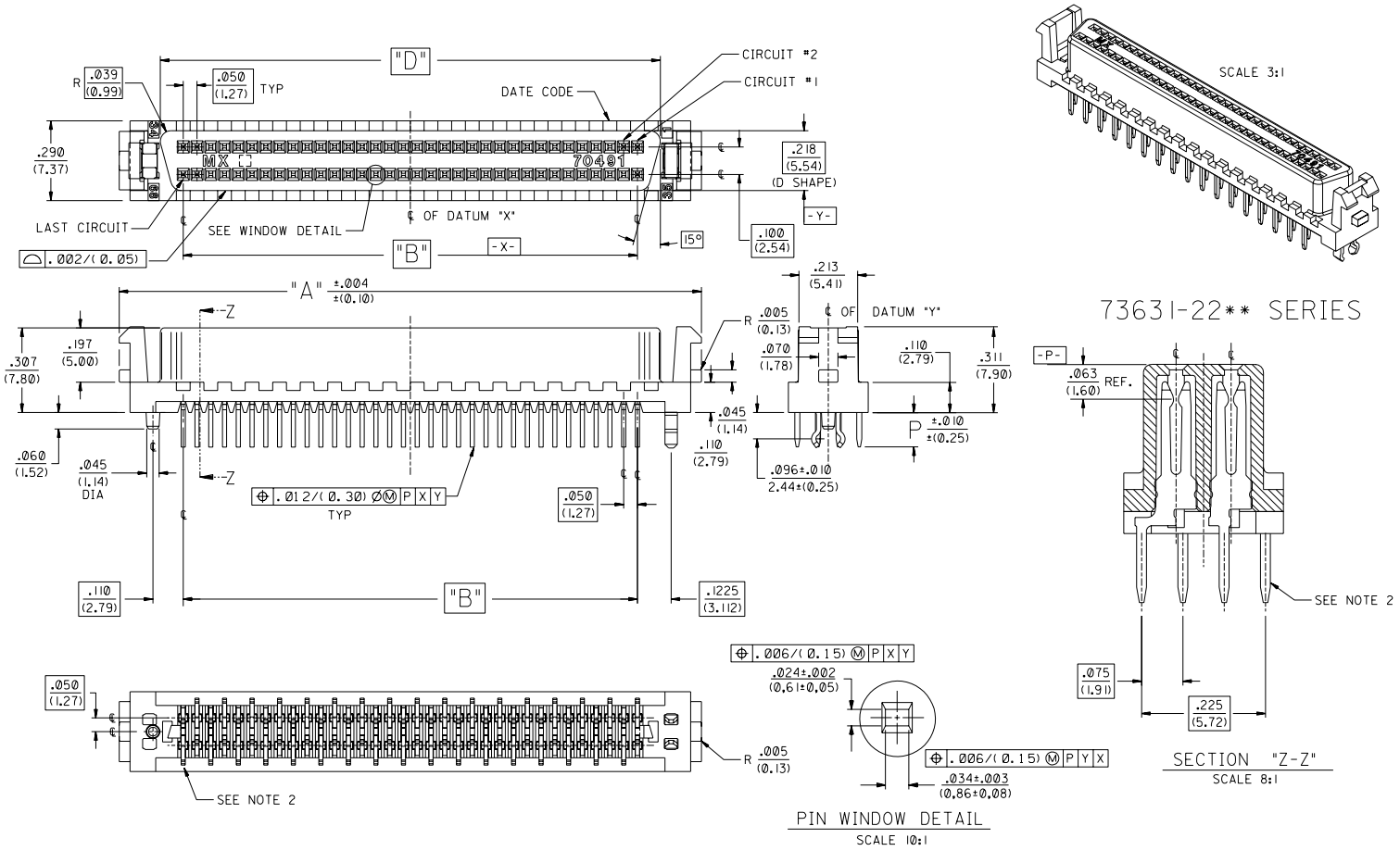


13 12 11 10 9 8 7 6 5 4 3 2 73631



**GENERAL NOTES:**

1. SEE SHEET 6 FOR ITEM NO'S, CHARTED DIMENSIONS, PACKAGING, MATERIAL SPEC'S FOR P.C. BOARD LAYOUT.
2. TAIL PATTERN FIXED AT LAST CIRCUIT POSITION FOR ALL CIRCUIT SIZES LISTED IN CHART (SEE SHEET 6).

OBSOLETE PART EC NO. UCP2005-0311 DRW:BSMART 04/08/18 CHK:BBARKER 04/08/18 APPR:SMILLER 04/08/18	DESCRIPTION REV I	QUALITY SYMBOLS MAJOR CRITICAL	GENERAL TOLERANCES: (UNLESS SPECIFIED)		SCALE 4 : 1	DESIGN UNITS <input type="checkbox"/> mm <input checked="" type="checkbox"/> INCH	THIRD ANGLE PROJECTION	DIMENSIONS: <input type="checkbox"/> INCH <input checked="" type="checkbox"/> mm		SHT REVISE ON CAD ONLY	REV	
			4 PLACES ±0.01	3 PLACES ±0.005	2 PLACES ±0.013	1 PLACE ±0.02	ANGULAR: ± 1/2°	DRAWN BY & DATE J. Long 97/08/11	CHECKED BY & DATE J. Long 97/10/17	APPROVED BY & DATE BRINKMAN 97/10/17	CAD FILENAME S7363125.DGN	MATERIAL NO. SEE SH'T 6
DRAFT WHERE APPLICABLE MUST REMAIN WITHIN DIMENSIONS			THIS DRAWING CONTAINS INFORMATION THAT IS PROPRIETARY TO MOLEX INCORPORATED AND SHOULD NOT BE USED WITHOUT WRITTEN PERMISSION.			TITLE: SALES ASSEMBLY SCST VERTICAL RECEPT. W/LATCHES, POLIZ'TN PEG & PCB CLIP			MOLEX INCORPORATED			

LBORD.DGN REV A 96/06/12 LEVEL 5 12 11 10 9 8 7 6 5 4 3 2 1

