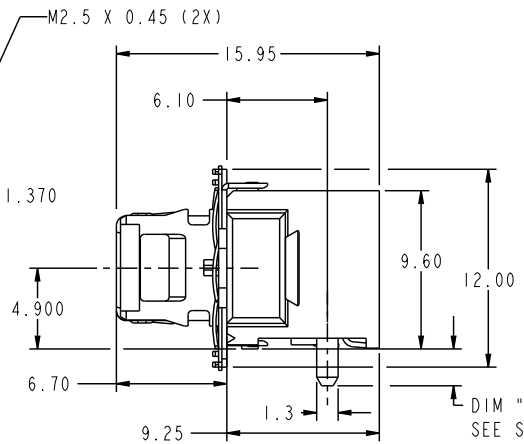
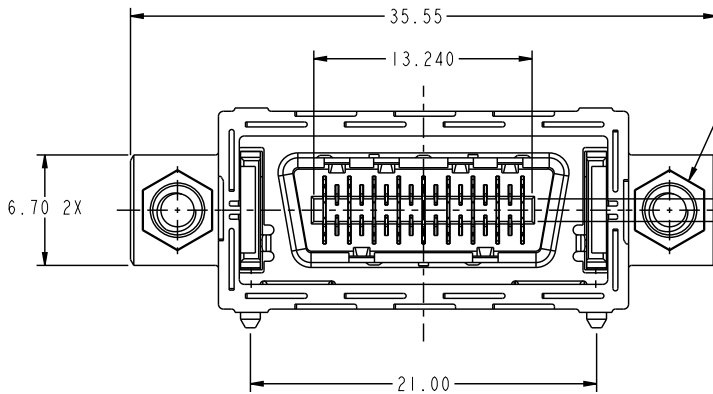
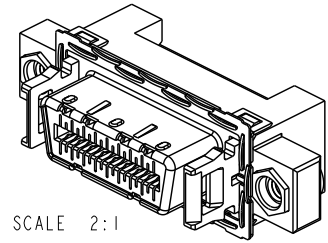
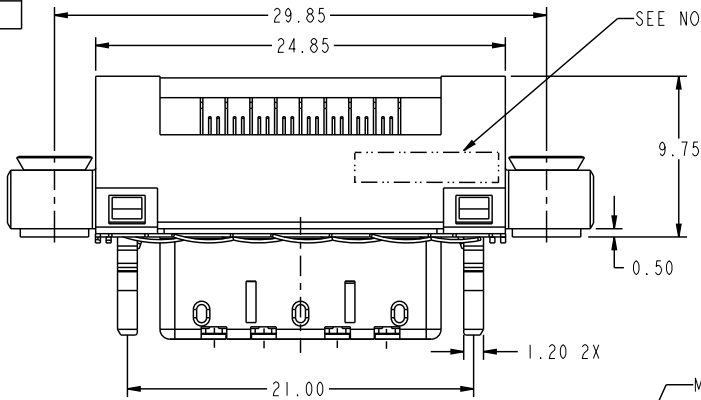


PRODUCT NUMBER
58369-11XXXX



DIM "A"
SEE SHEET 9

www.fciconnect.com		surface 3.2 ASME Y14.5	tolerance std ASME Y14.5	projection MM
TOLERANCES UNLESS OTHERWISE SPECIFIED		ANGULAR	LINEAR	size A4
		0.x	±.30	Scale 3:1
		0.xx	±.10	ECN 109-0115
		0.xxx	±.050	Spec ref -
Product family EyeMax (1m)				
Dr R. DRAGGOO 2002-01-07				
Eng S. OLSON 2001-09-11				
Chr HIRAN V N 2006-02-26				
Appr HIRAN V N 2006-02-26				
FCJ		4X R/A RECP. ASSEMBLY		Rev. L
w/MOUNTING TABS		58369		sheet 1 of 9
catalog no		CUSTOMER		

rev	ecn no	dr	date
L	109-0115	RPK	2009-06-25
F	V03-0087	GIP	2003-03-14
G	V03-0430	OAI	2004-06-07
H	V05-0063	TAB	2005-02-14
J	106-0123	HVN	2006-07-26
K	107-0024	HVN	2006-02-26

REV F - 2004-04-07

3PDM: Rev:L

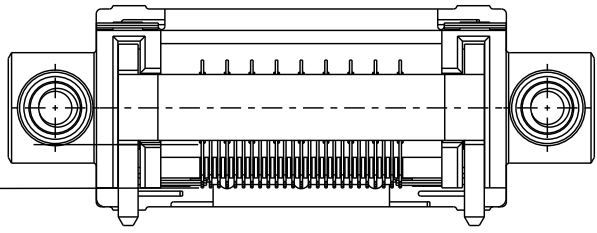
STATUS Released

4 Printed: Apr 21, 2010

FCJ
Copyright FCI.

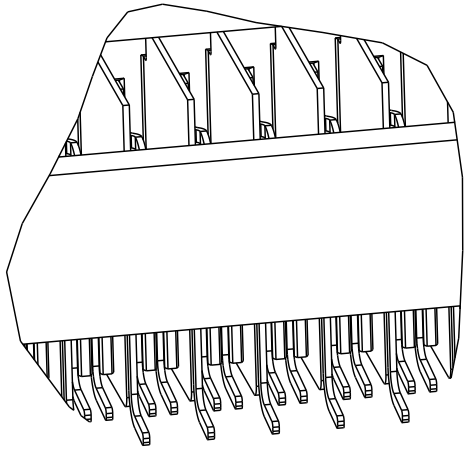


Copyright FCJ.



COPLANARITY MEASUREMENT TO BE TAKEN AT BOTTOM MOST POINT OF CONTACT TAILS

COPLANARITY ZONE IS BELOW DATUM D



SCALE 8:1

www.fciconnect.com		surface 3.2/ASME Y14.5		tolerance std ASME Y14.5		projection		MM		
TOLERANCES UNLESS OTHERWISE SPECIFIED										
Dr	R. DRAGGOO	2002-01-07	ANGULAR	LINEAR	0.x	±.30	size	A4	Scale 3:1	
Eng	S. OLSON	2001-09-11			0.xx	±.10				
Chr	HIRAN V N	2006-02-26	0°	±2°	0.xxx	±.050	ECN	109-0115		
Appr	HIRAN V N	2006-02-26	Product family EyeMax (1m)		Spec ref					
		4X R/A RECPT. ASSEMBLY				eng no		58369		Rev. L
		w/MOUNTING TABS				CUSTOMER		sheet 2 of 9		
catalog no										

REV F - 2004-04-07

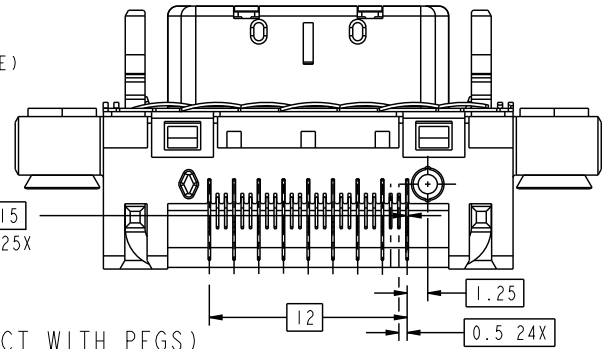
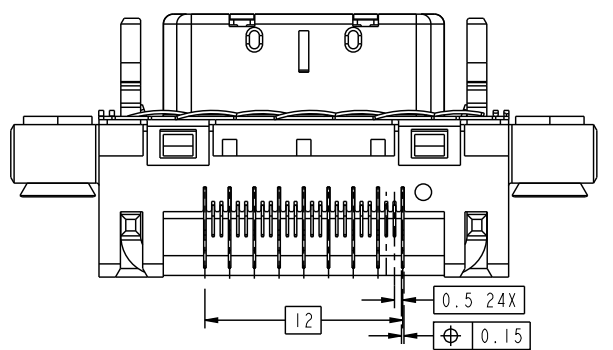
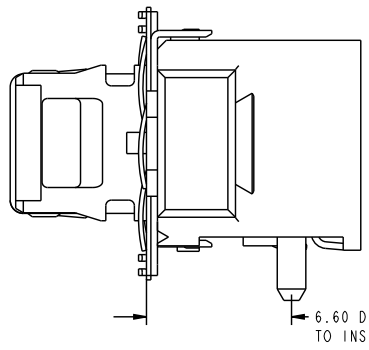
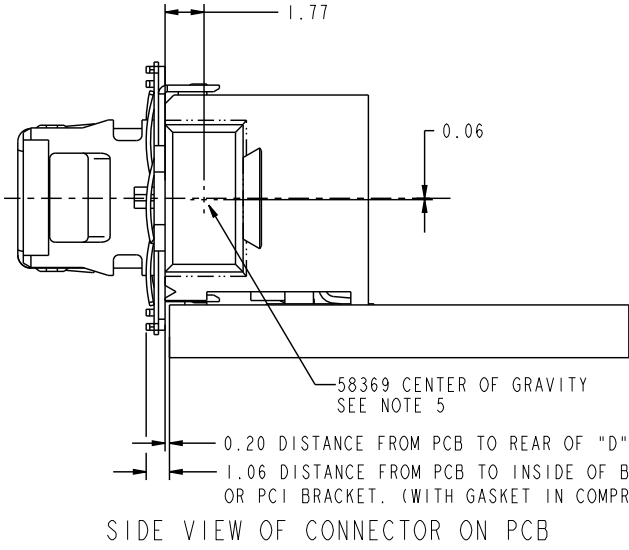
3PDM: Rev:L

STATUS Released

4 Printed: Apr 21, 2010



Copyright FCJ.

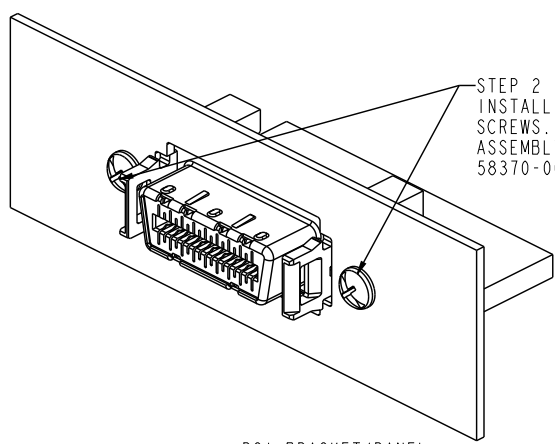


www.fciconnect.com		surface 3.2/ASME Y14.5	tolerance std ASME Y14.5	projection	MM
TOLERANCES UNLESS OTHERWISE SPECIFIED				⊕	←
Dr R. DRAGGOO	2002-01-07	ANGULAR	LINEAR	0.x ±.30	size A4 Scale 4:1
Eng S. OLSON	2001-09-11	0° ±2°		0.xx ±.10	ECN 109-0115
Chr HIRAN V N	2006-02-26			0.xxx ±.050	Spec ref -
Appr HIRAN V N	2006-02-26	Product family EyeMax (1m)			
FCJ 4X R/A RECP. ASSEMBLY		w/MOUNTING TABS		eng no 58369	Rev. L
catalog no		CUSTOMER		sheet 3 of 9	

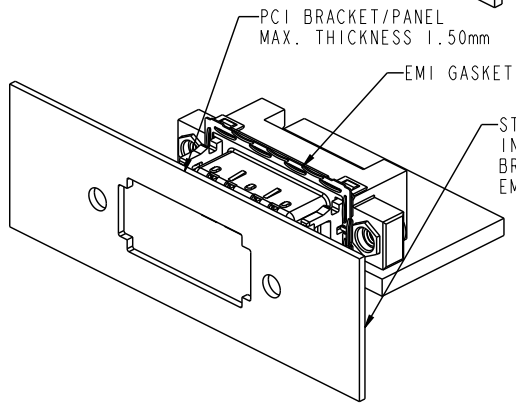
REV F - 2004-04-07



Copyright FCI.

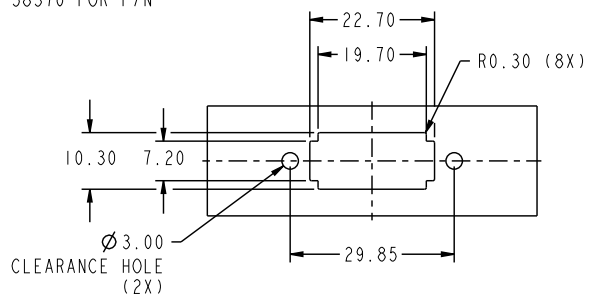


STEP 2
INSTALL TWO M2.5 PANEL MOUNTING
SCREWS. (NOT SUPPLIED WITH CONNECTOR
ASSEMBLY) SEE PRINT 58370 FOR P/N
58370-001



STEP 1
INSERT CONNECTOR INTO PCI
BRACKET/PANEL COMPRESSING
EMI GASKET

PCI BRACKET/PANEL
MAX. THICKNESS 1.50mm



SCALE 1:1
PANEL CUTOUT

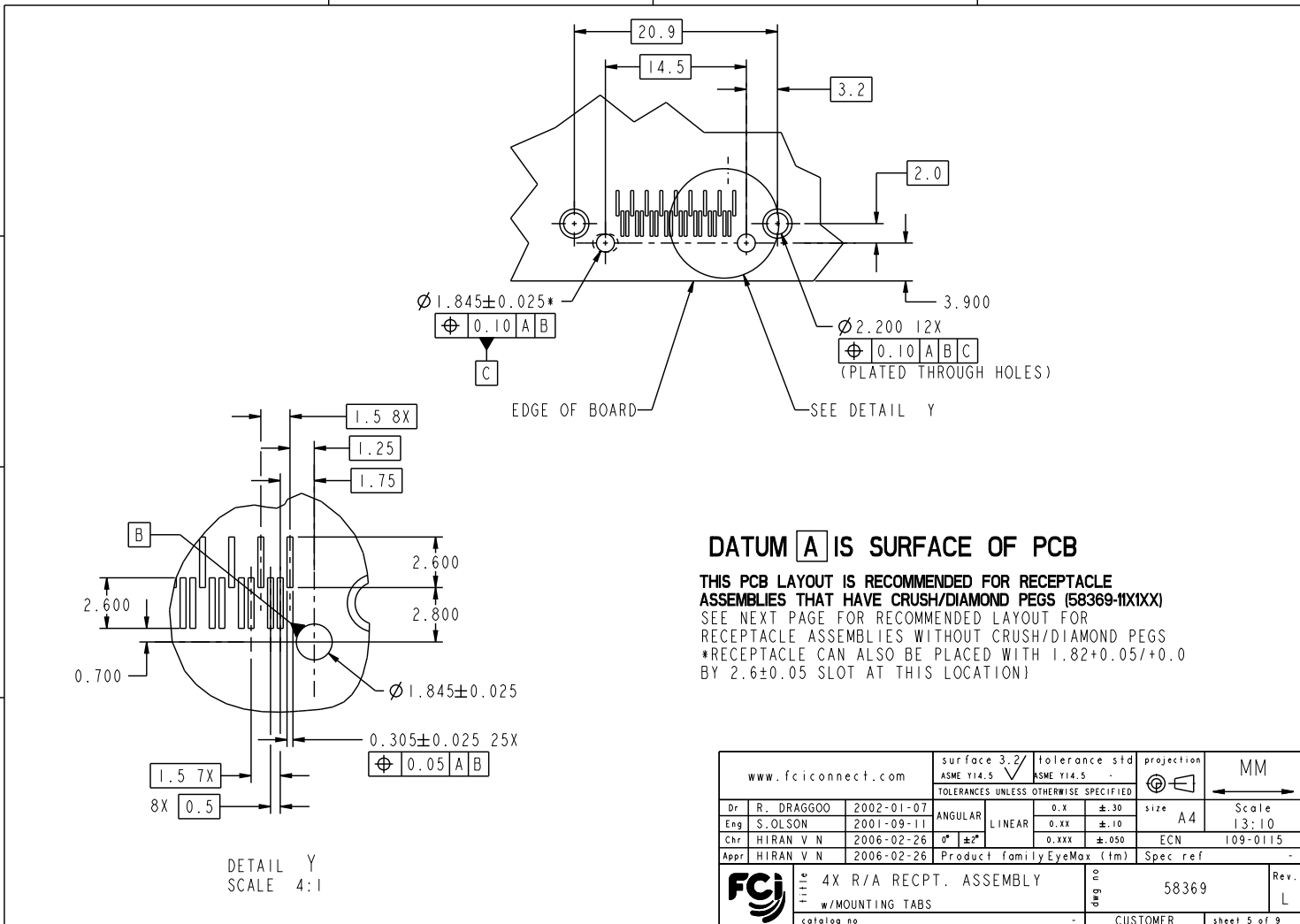
CONNECTOR APPLICATION TO PCI BRACKET/PANEL

www.fciconnect.com		surface 3.2/ ASME Y14.5	tolerance std ASME Y14.5	projection MM
TOLERANCES UNLESS OTHERWISE SPECIFIED				
Dr	R. DRAGGOO	2002-01-07	ANGULAR	LINEAR
Eng	S. OLSON	2001-09-11	0.x	±.30
Chr	HIRAN V N	2006-02-26	0.xx	±.10
Appr	HIRAN V N	2006-02-26	0.xxx	±.050
Product family		EyeMax (1m)	ECN	109-0115
Spec ref		-	-	
FCJ		4X R/A RECPT. ASSEMBLY		Rev. L
w/MOUNTING TABS		eng no	58369	
catalog no		CUSTOMER		sheet 4 of 9

REV F - 2004-04-07



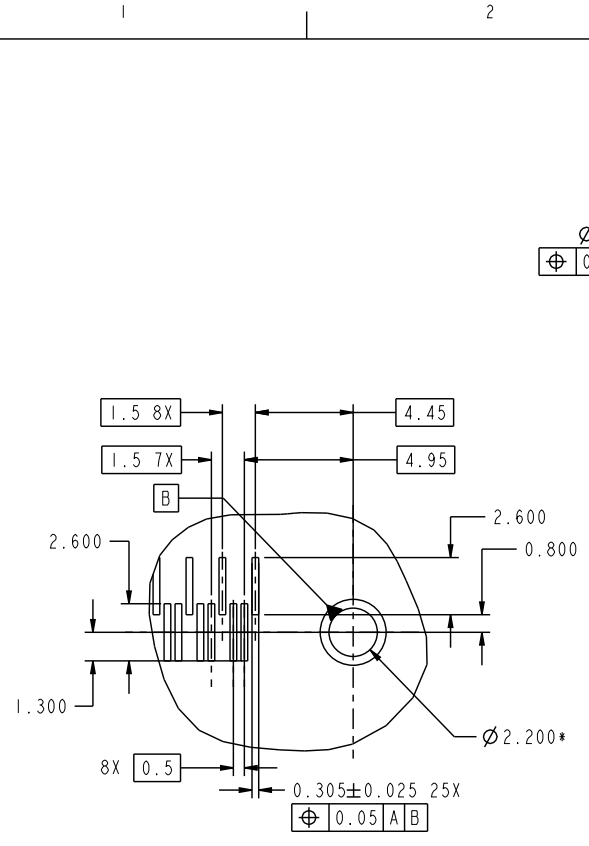
Copyright FCJ.



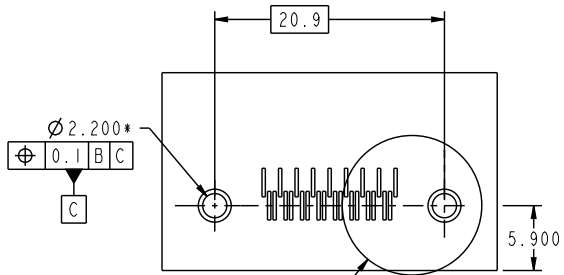
www.fciconnect.com		surface 3.2/ ASME Y14.5	tolerance std ASME Y14.5	projection	MM
TOLERANCES UNLESS OTHERWISE SPECIFIED					
Dr	R. DRAGGOO	2002-01-07	ANGULAR	0.x ±.30	size A4
Eng	S. OLSON	2001-09-11	LINEAR	0.xx ±.10	Scale 13:10
Chr	HIRAN V N	2006-02-26	0* ±*	0.xxx ±.050	ECN 109-0115
Appr	HIRAN V N	2006-02-26	Product family	EyeMax (1m)	Spec ref -
			4X R/A RECPT. ASSEMBLY		Rev. L
w/MOUNTING TABS			eng no	58369	sheet 5 of 9
catalog no			CUSTOMER		



Copyright FCI.



DETAIL X
SCALE 4:1



SEE DETAIL X

DATUM A IS SURFACE OF PCB

THIS PCB LAYOUT IS RECOMMENDED FOR RECEPTACLE ASSEMBLIES THAT DO NOT HAVE CRUSH/DIAMOND PEGS (58369-11X0XX) SEE PREVIOUS PAGE FOR RECOMMENDED LAYOUT FOR RECEPTACLE ASSEMBLIES WITH CRUSH/DIAMOND PEGS *PLATED THROUGH HOLES

www.fciconnect.com		surface 3.2/ASME Y14.5	tolerance std ASME Y14.5	projection	MM
TOLERANCES UNLESS OTHERWISE SPECIFIED					
Dr	R. DRAGGOO	2002-01-07	ANGULAR	0.x ±.30	size A4
Eng	S. OLSON	2001-09-11	LINEAR	0.xx ±.10	Scale 13:10
Chr	HIRAN V N	2006-02-26	0° ±*	0.xxx ±.050	ECN 109-0115
Appr	HIRAN V N	2006-02-26	Product family	EyeMax (1m)	Spec ref -
FCJ			4X R/A RECPT. ASSEMBLY		Rev. L
w/MOUNTING TABS			eng no	58369	
catalog no			CUSTOMER	sheet 6 of 9	

REV F - 2004-04-07

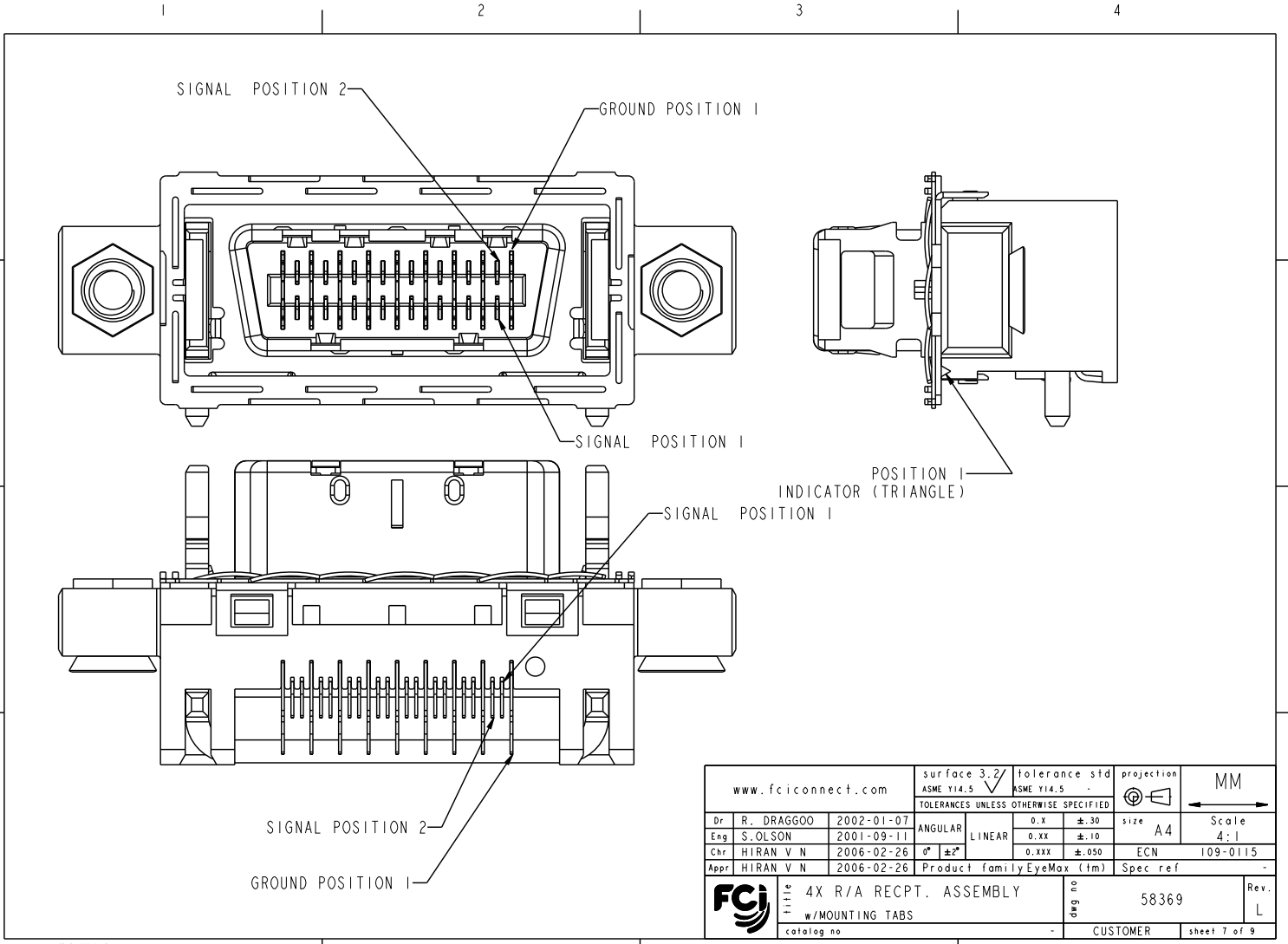
3PDM: Rev:L

STATUS Released

4 Printed: Apr 21, 2010



Copyright FCI.



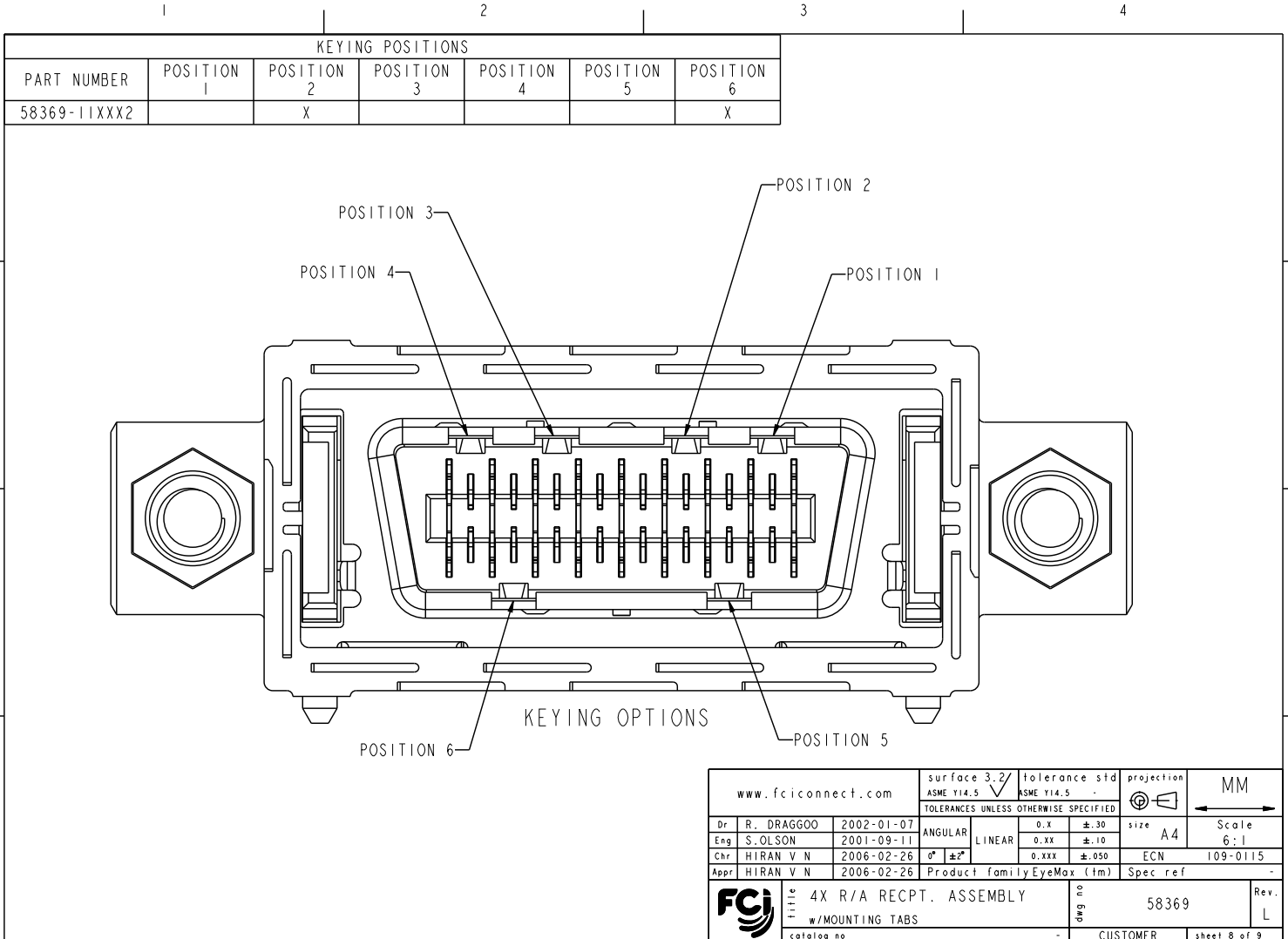
REV F - 2004-04-07

www.fciconnect.com		surface 3.2/ASME Y14.5	tolerance std ASME Y14.5	projection	MM
TOLERANCES UNLESS OTHERWISE SPECIFIED					
Dr	R. DRAGG00	2002-01-07	ANGULAR	0.x ±.30	size A4 Scale 4:1
Eng	S. OLSON	2001-09-11	LINEAR	0.xx ±.10	ECN 109-0115
Chr	HIRAN V N	2006-02-26	0* ±*	0.xxx ±.050	Spec ref -
Appr	HIRAN V N	2006-02-26	Product family	EyeMax (1m)	
FCJ		4X R/A RECP. ASSEMBLY		eng no	58369
		w/MOUNTING TABS			Rev. L
catalog no		CUSTOMER		sheet 7 of 9	

3PDM: Rev:L STATUS Released 4 Printed: Apr 21, 2010



Copyright FCI.



www.fciconnect.com		surface 3.2/ASME Y14.5	tolerance std ASME Y14.5	projection	MM
TOLERANCES UNLESS OTHERWISE SPECIFIED					
Dr R. DRAGGOO	2002-01-07	ANGULAR	LINEAR	0.x ±.30	size A4 Scale 6:1
Eng S. OLSON	2001-09-11	0° ±*		0.xx ±.10	ECN 109-0115
Chr HIRAN V N	2006-02-26			0.xxx ±.050	Spec ref -
Appr HIRAN V N	2006-02-26	Product family EyeMax (1m)		-	
		4X R/A RECPT. ASSEMBLY		eng no 58369	Rev. L
w/MOUNTING TABS		catalog no		CUSTOMER	sheet 8 of 9

REV F - 2004-04-07

3PDM: Rev:L STATUS Released 4 Printed: Apr 21, 2010

58369-11XXXXY

SOLDERTAIL PLATING
BLANK-TIN/LEAD
LF-LEAD FREE (SEE NOTE 2)

KEYING OPTIONS, SEE SHEET 8
0-NONE
2-CUSTOM

PACKAGING
1-TAPE & REEL
2-TRAY

PEGS
0-NO PEGS
1-CRUSH/DIAMOND PEG

PCB THICKNESS
1-1.6mm
2-2.4mm
3-4.0mm

EMI GASKET
1-WITH GASKET

INTERFACE PLATING
1-Au over Ni

PRODUCT NUMBER	BOARD THICKNESS	DIM A
58369-111XXX	1.6mm	2.3
58369-112XXX	2.4mm	3.1
58369-113XXX	4.0mm	4.7

NOTES:)

- ① HOUSING MATERIAL: UL94 V-O LCP RESIN.
SIGNAL PIN MATERIAL: COPPER ALLOY.
GROUND CONTACT MATERIAL: COPPER ALLOY.
- ② PLATING: LEAD FREE SOLDER TAILS 2μm (80μin) MIN MATTE TIN
OVER 1.27μm (50μin) MIN NICKEL UNDERPLATE.
- ③ P/N AND DATE CODE TO APPEAR ON THIS SURFACE.
4. PRODUCT SPECIFICATION GS-12-209.
5. CONNECTOR WEIGHT= 7.06 grams
6. APPLICATION SPECIFICATION: GS-20-025
7. PACKAGING SPECIFICATION GS-14-794. PACKAGING OF LEAD FREE PRODUCTS MEETS LABELING AND PACKAGING SPECIFICATION GS-14-920.
8. ALL DIMENSIONS ON PCB'S ARE BASIC UNLESS OTHERWISE SPECIFIED
9. ALL HOLE DIAMETERS ON PCB'S ARE FINISHED HOLE SIZE
- ⑩ AREA ON TOP OF CONNECTOR IS FLAT & SMOOTH AND CAN BE USED FOR VACUUM PICK & PLACE.
11. MATES WITH EYEMAX® PLUG 58443 (WITHOUT PCB), 58638 (WITH UNEQUALIZED PCB) OR 10026692 (WITH EQUALIZED PCB).
12. RECOMMENDED SCREW TORQUE IS 0.15Nm (1.33 in-lbs).
13. LEAD FREE PRODUCTS MEET EUROPEAN UNION DIRECTIVES AND OTHER COUNTRY REGULATIONS AS DESCRIBED IN GS-22-008.
14. THE HOUSING WILL WITHSTAND EXPOSURE TO 260°C PEAK TEMPERATURE FOR 15 SECONDS IN A CONVECTION, INFRARED OR VAPOR PHASE REFLOW OVEN.

www.fciconnect.com		surface 3.2/ ASME Y14.5	tolerance std ASME Y14.5	projection	MM
TOLERANCES UNLESS OTHERWISE SPECIFIED					
Dr	R. DRAGGOO	2002-01-07	ANGULAR	0.x ±.30	size A4 Scale 13:10
Eng	S. OLSON	2001-09-11	LINEAR	0.xx ±.10	ECN 109-0115
Chr	HIRAN V N	2006-02-26	0* ±*	0.xxx ±.050	Spec ref -
Appr	HIRAN V N	2006-02-26	Product family EyeMax (1m)		
FCJ		4X R/A RECPT. ASSEMBLY		58369	Rev. L
w/MOUNTING TABS		catalog no		CUSTOMER	sheet 9 of 9

REV F - 2004-04-07

3PDM: Rev:L

STATUS Released

4 Printed: Apr 21, 2010



Copyright FCJ.