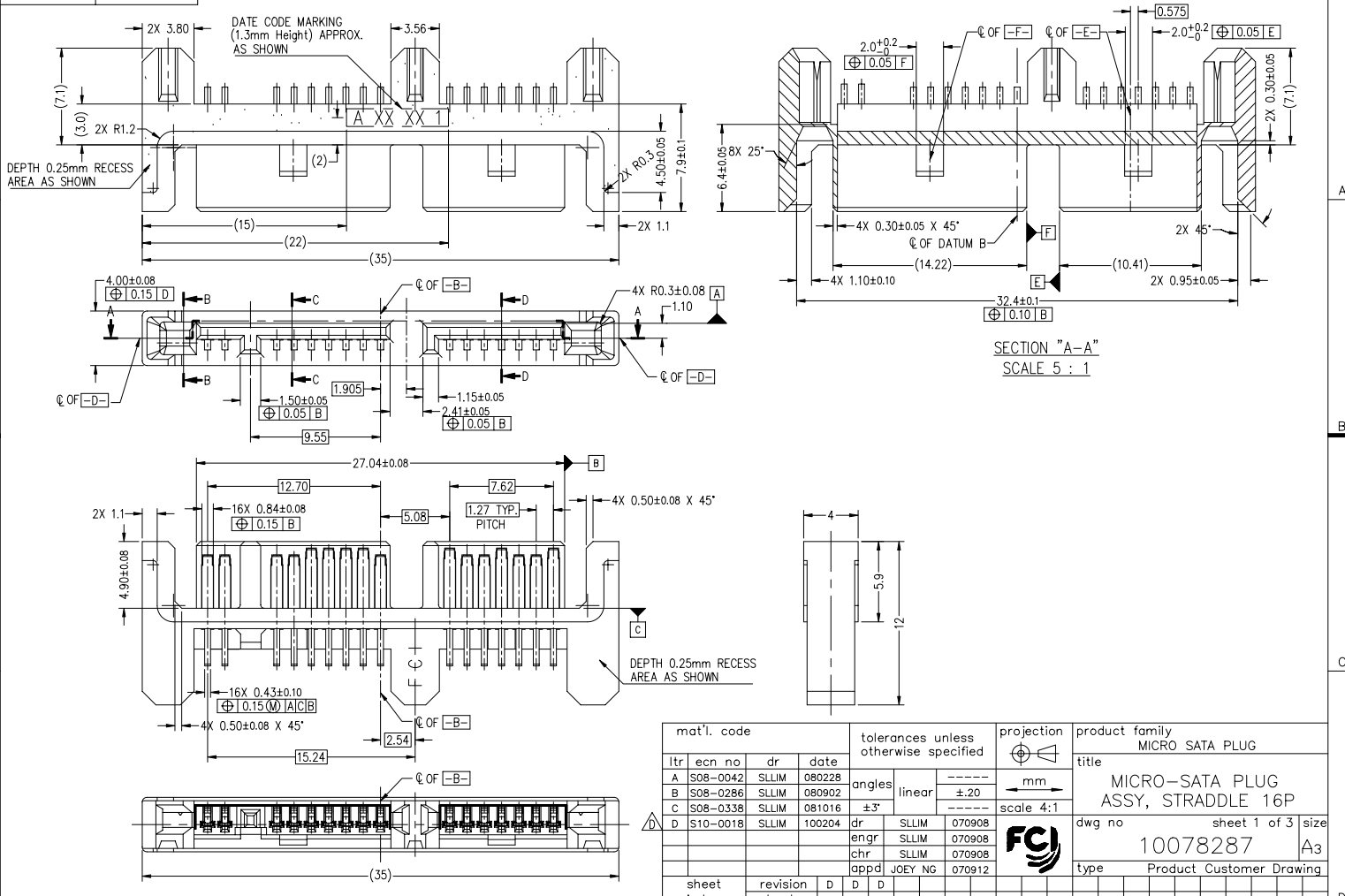


PRODUCT P/N: 10078287-001LF
10078287-002LF

DATE CODE MARKING
(1.3mm Height) APPROX.
AS SHOWN



SECTION "A-A"
SCALE 5 : 1

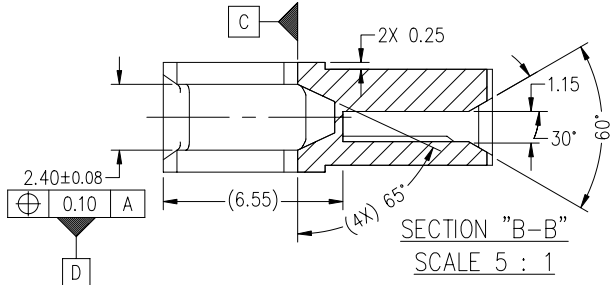
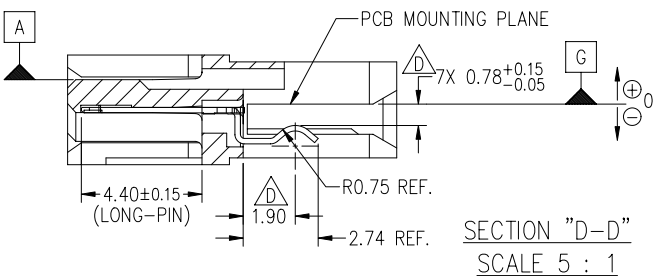
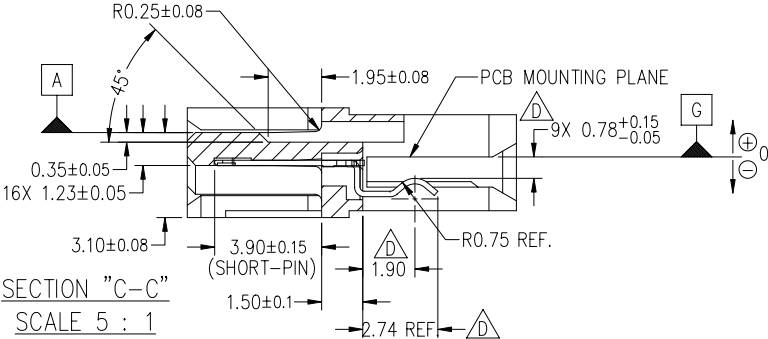
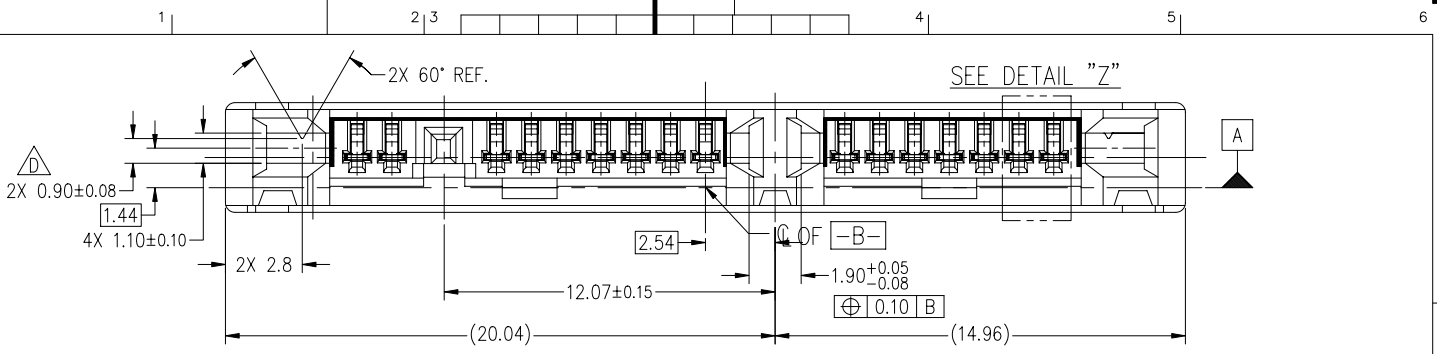
mat'l. code				tolerances unless otherwise specified			projection	product family
ltr	ecn no	dr	date	angles	linear	mm	MICRO SATA PLUG	
A	S08-0042	SLLIM	080228	±.20	---	4:1		
B	S08-0286	SLLIM	080902	±3°	---			
C	S08-0338	SLLIM	081016	---	---			
D	S10-0018	SLLIM	100204	---	---			
		dr	SLLIM	070908				
		enr	SLLIM	070908				
		chr	SLLIM	070908				
		appd	JOEY NG	070912				
sheet index	revision sheet	D	D	D				
	1	2	3					

title
MICRO-SATA PLUG
ASSY, STRADDLE 16P

dwg no 10078287 sheet 1 of 3 size A3

type Product Customer Drawing

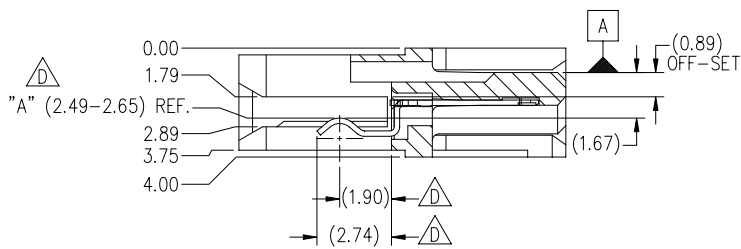
PDM: Rev:D STATUS Released Printed: Jul 21, 2010



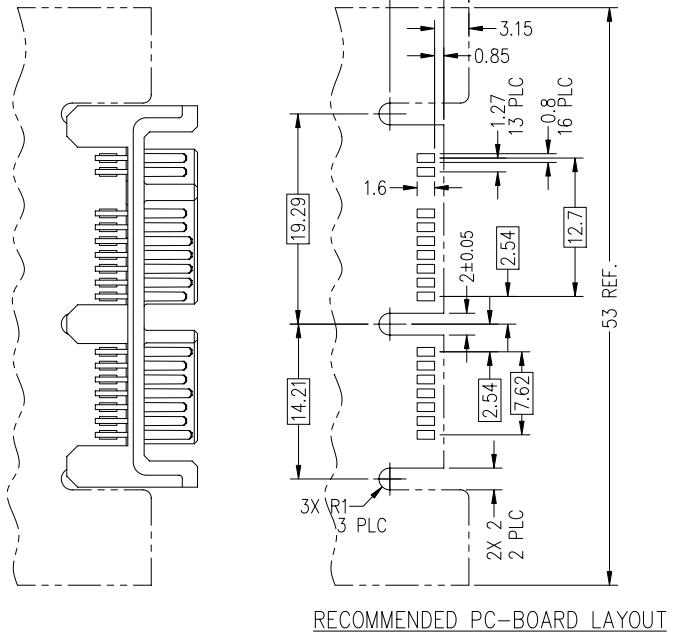
mat'l. code		tolerances unless otherwise specified		projection	product family
ltr	ecn no	dr	date		MICRO SATA PLUG (SSD)
D					title
				linear	dwg no
				angles	sheet 2 of 3
				±3°	size
				linear	10078287
				±.20	A4
				linear	type
				linear	Product Customer Drawing
				linear	
sheet index	revision				
	sheet				

PDM: Rev:D STATUS Released Printed: Jul 21, 2010

PRODUCT NO.	DIM. "A"	PC-BOARD THICKNESS
10078287-001LF	2.49mm-2.65mm	1.00±0.05mm
10078287-002LF	2.49mm-2.65mm	1.00±0.05mm



- MATERIALS:**
HOUSING MATERIAL: HIGH TEMPERATURE THERMOPLASTIC, UL94V-0, COLOR; BLACK.
CONTACT PIN: COPPER ALLOY (BRASS).
- FINISH:**
10078287-001LF
A. SATA SIGNAL & POWER PINS: (MATING SIDE).
1.27µm [50u"] MINIMUM, 2.54µm [100u"] MAXIMUM NICKEL UNDER PLATE WITH 0.13µm [5u"] MINIMUM GOLD IN CONTACT AREA.
10078287-002LF
B. SATA SIGNAL & POWER PINS: (MATING SIDE).
1.27µm [50u"] MINIMUM, 2.54µm [100u"] MAXIMUM NICKEL UNDER PLATE WITH 0.76µm [30u"] MINIMUM GOLD IN CONTACT AREA.
C. ALL SOLDER TAILS:
1.91µm [75u"] MINIMUM LEAD-FREE (100%) TIN, PLATING COVERAGE: 95% MINIMUM FOR UNDER AND OVERPLATE.
- A Δ SYMBOL WILL BE NEXT TO ANY DIMENSION, VIEW, OR NOTE WHICH HAS BEEN MODIFIED WITH THE CURRENT DRAWING REVISION.
- THIS PRODUCT MEETS EUROPEAN UNION DIRECTIVES AND OTHER COUNTRY REGULATIONS AS DESCRIBED IN GS-22-008.
- THE HOUSING WILL WITHSTAND EXPOSURE TO 260°C TEMPERATURE FOR 10 SECONDS IN A CONVECTION, INFRA-RED OR VAPOR PHASE REFLOW OVEN.



RECOMMENDED PC-BOARD LAYOUT

mat'l. code				tolerances unless otherwise specified			projection	product family
ltr	ecn no	dr	date	angles	linear	mm	MICRO SATA PLUG (SSD)	
D				±3°	±.20	mm	title	
				dr	SLLIM	070908	MICRO SATA PLUG	
				enrg	SLLIM	070908	ASSY. STRADDLE 16P	
				chr	SLLIM	070908	dwg no	
				appd	JOEY NG	070912	10078287	
				sheet index	revision sheet		sheet 3 of 3	
							size	
							A4	
							type	
							Product Customer Drawing	

PDM: Rev:D STATUS Released Printed: Jul 21, 2010