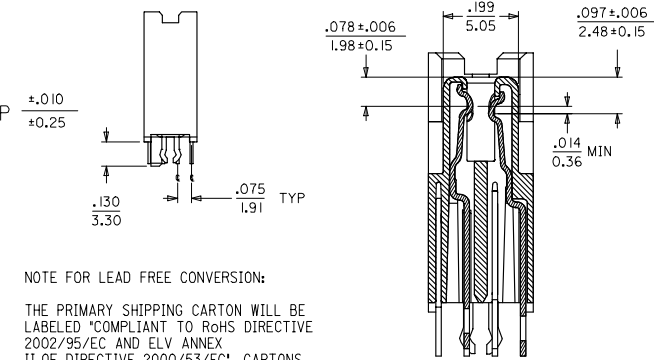


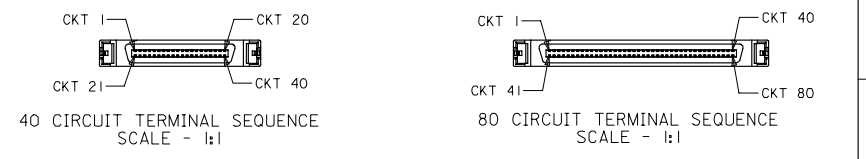
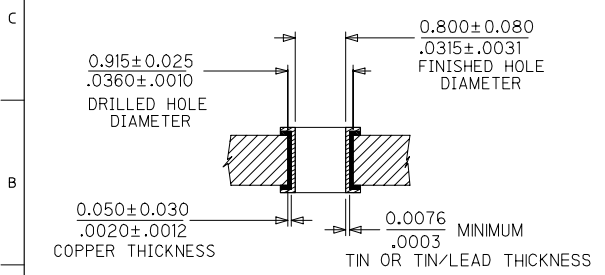
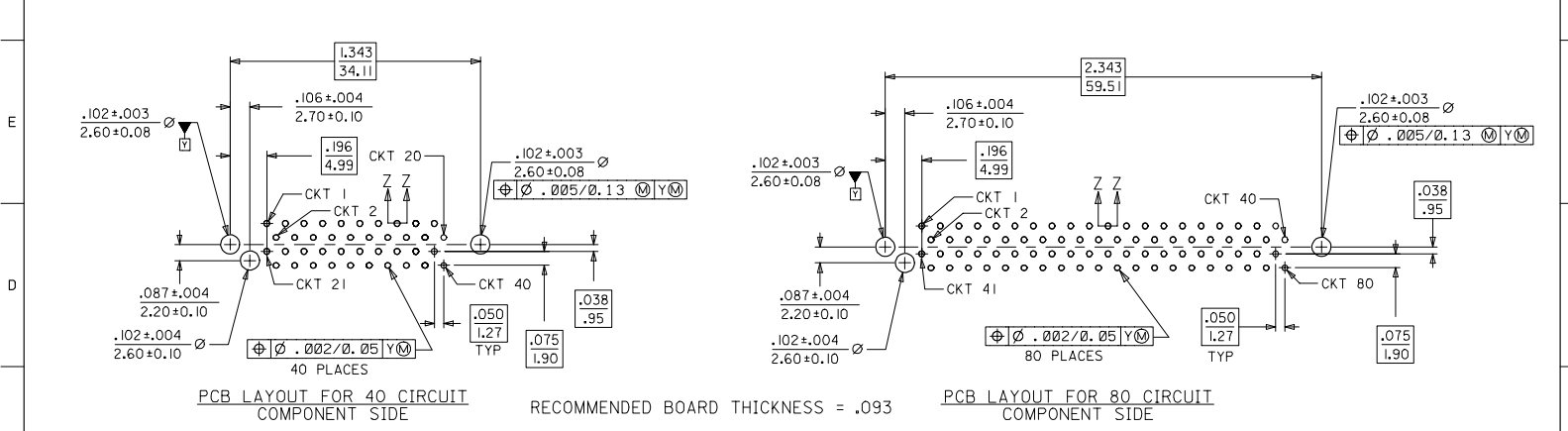
- NOTES:
- MATERIAL:
HOUSING: I.R. COMPATIBLE POLYMER, GLASS FILLED, UL 94 V 0, BLACK
TERMINALS: COPPER ALLOY
BOARDLOCK: COPPER ALLOY
 - FINISH:
TERMINALS: SELECTIVE GOLD IN CONTACT AREA
THICKNESS = 30 MICROINCHES / 0.763 MICROMETERS
SELECTIVE TIN IN TAIL AREA
THICKNESS = 100 MICROINCHES/ 2.54 MICROMETERS
NICKEL UNDERPLATE OVERALL.
ESD BOARDLOCK:
TIN OVERALL.
 - PRODUCT SPECIFICATION: PS-73826-0000
 - FOUR DIGIT DATE CODE IN THIS LOCATION (WK YR).
 - CONTACT GAP WILL ACCOMMODATE MATING CONNECTOR OF:
.063+/--.003 (1.60+/- 0.08)



SECTION Z-Z
SCALE - 4:1

CLARIFY PCB HOLE EC NO: UCP2006-2509 DRAWN BY: DRINKBARKER CHECKED BY: CHYCHSMART APPROVED BY: SMILLER DATE: 2006/05/01 DATE: 2006/05/12 DATE: 2006/05/15	QUALITY SYMBOLS	GENERAL TOLERANCES (UNLESS SPECIFIED)	DIMENSION STYLE	SCALE	DESIGN UNITS	THIRD ANGLE PROJECTION
	▽=0 ▽=0	4 PLACES ± --- ± --- 3 PLACES ± --- ± .005 2 PLACES ± 0.13 ± .010 1 PLACE ± 0.25 ± --- ANGULAR ±1/2°	IN/MM	2:1		
		DRAFT WHERE APPLICABLE MUST REMAIN WITHIN DIMENSIONS	DRAWN BY: RKADAMS CHECKED BY: BBARKER APPROVED BY: SMILLER DATE: 8/25/04 DATE: 8/25/04 DATE: 8/25/04	TITLE		
			MATERIAL NO. SEE TABLE	SALES ASSEMBLY SCA-2 EXTENDED HEIGHT PRESS-FIT RECEPTACLE		
			MOLEX INCORPORATED	DOCUMENT NO. SD-73829-002		STEEL NO. 1 OF 2

10	9	8	7	6	5	4	3	2	73829
MATERIAL NUMBER	CIRCUIT SIZE	DIMENSION A	DIMENSION B	DIMENSION C	DIMENSION D	DIMENSION E	DIMENSION F	DIMENSION P	ADVANCED TERMINALS / CIRCUITS (SECTION Z-Z, SHEET 1)
738295001	80	2.717/(69.01)	2.583/(65.61)	2.025/(51.44)	2.343/(59.51)	1.066/(27.06)	.109/(2.77)	.125/(3.18)	1, 36, 37, 38, 39, 40, 41, 42, 43, 45, 46, 75, 76, 77, 78, 79, 80
738295002	40	1.717/(43.61)	1.583/(40.21)	1.025/(26.04)	1.343/(34.11)	.566/(14.38)	.109/(2.77)	.125/(3.18)	21, 22, 23, 26, 29, 32, 35, 36, 37, 38, 39, 40



NOTE: SECTION Z-Z - RECOMMENDED PCB HOLE CONFIGURATION

THE DRILLED HOLE SIZE IS BASED ON THE RECOMMENDED PLATINGS AND THICKNESSES. IF OTHER PLATING TYPES AND/OR THICKNESSES ARE USED, A DRILL SIZE THAT WILL RESULT IN THE FINISHED HOLE SIZE INDICATED WILL NEED TO BE USED.

CLARIFY PCB HOLE EC NO: UCP2006-2509 DRAWN BY: DRW:BBARKER CHECKED BY: CHY:CSMART APPROVED BY: SMILLER DATE: 2006/05/01 DATE: 2006/05/17 DATE: 2006/05/15	QUALITY SYMBOLS	GENERAL TOLERANCES (UNLESS SPECIFIED)	DIMENSION STYLE	SCALE	DESIGN UNITS	THIRD ANGLE PROJECTION
	▽=0	mm INCH	IN/MM	2:1		
	▽=0	4 PLACES ± --- ± ---	mm INCH	DRAWN BY: RKADAMS DATE: 8/25/04	TITLE: SALES ASSEMBLY	
		3 PLACES ± --- ± .005	mm INCH	CHECKED BY: BBARKER DATE: 8/25/04	TITLE: SCA-2 EXTENDED HEIGHT PRESS-FIT RECEPTACLE	
	2 PLACES ± 0.13 ± .010	mm INCH	APPROVED BY: SMILLER DATE: 8/25/04	TITLE: MOLEX INCORPORATED		
	1 PLACE ± 0.25 ± ---	mm INCH	MATERIAL NO. SEE TABLE	DOCUMENT NO. SD-73829-002	STEEL NO. 2 OF 2	
	ANGULAR ±1/2°		THIS DRAWING CONTAINS INFORMATION THAT IS PROPRIETARY TO MOLEX INCORPORATED AND SHOULD NOT BE USED WITHOUT WRITTEN PERMISSION			