

**CHAMP .050 Series I Blindmate,
Single Connector Attachment (SCA-2) for Fibre Channel** (Continued)

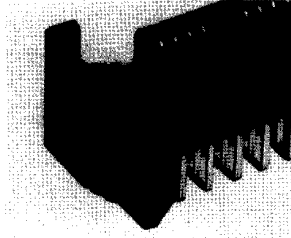
**20-Position Right Angle
Receptacle Assembly,
Board-to-Board**

Part Number 787653-1

(2.54 mm Tails)

Part Number 787653-2

(3.05 mm Tails)

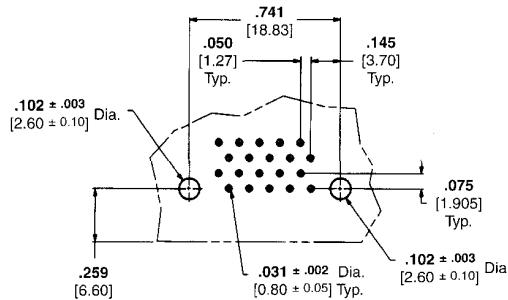
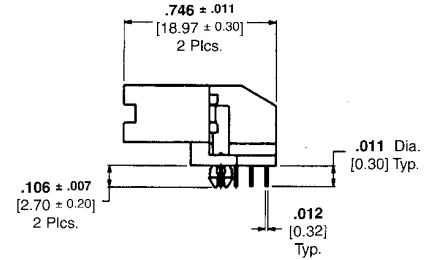
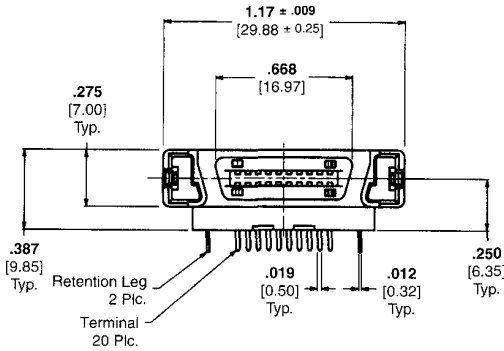
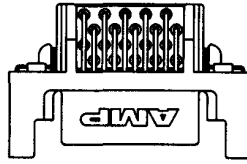


Material and Finish

Housing — Thermoplastic, 94V-0 rated, black

Contacts — Phosphor bronze, plated .000030 [0.00076] min. gold on mating end, .000150 [0.00381] min. tin-lead on solder end, both over .000050 [0.00127] min. nickel underplating

Retention Leg — Brass, plated .000150 [0.00381] min. tin-lead over .000050 [0.00127] min. nickel



**Recommended PC Board
Mounting Dimensions**