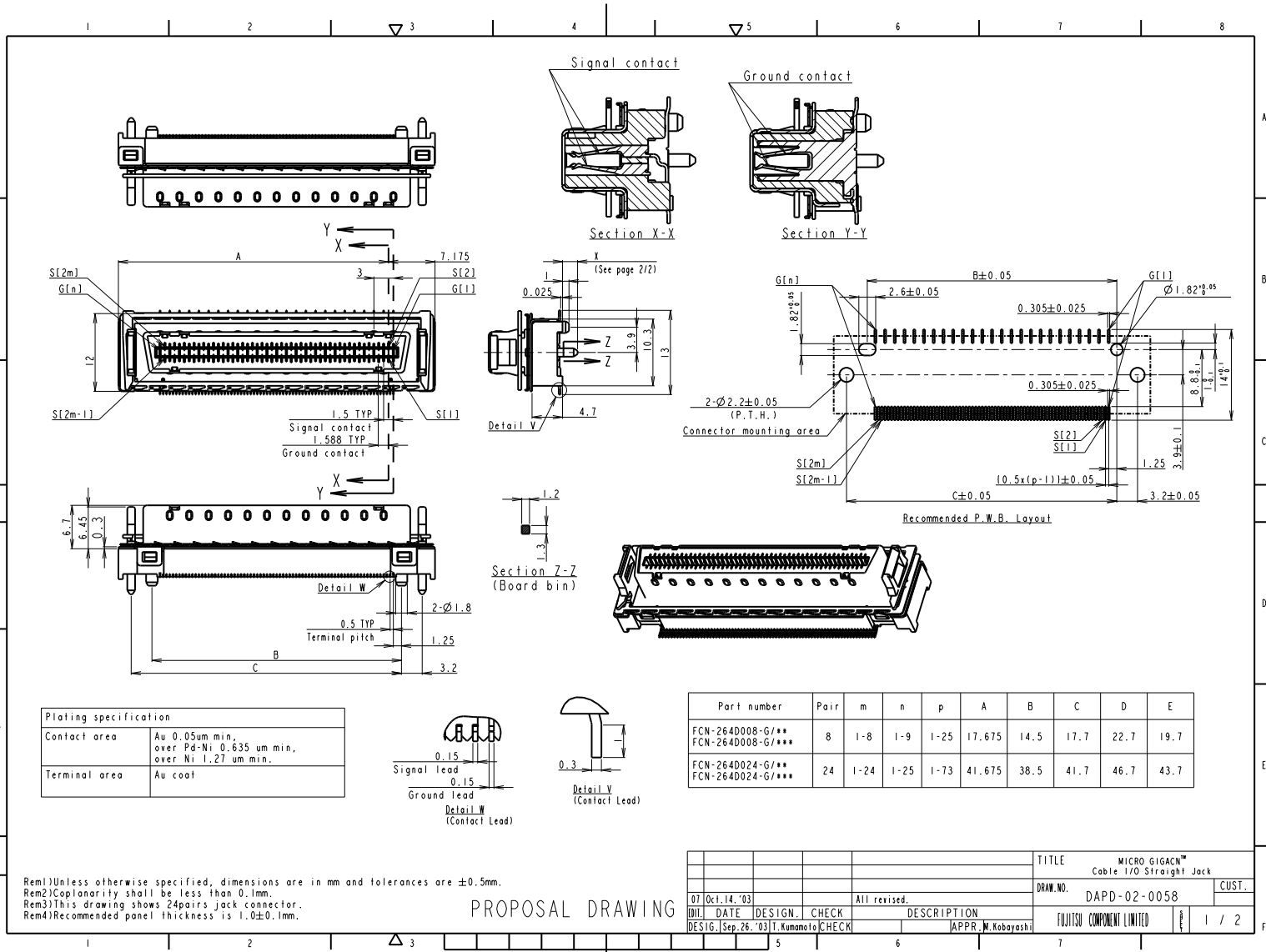


DATE DOCUMENT CONTROL SECTION



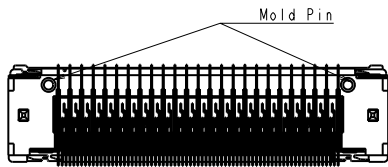
Rem1) Unless otherwise specified, dimensions are in mm and tolerances are ± 0.5 mm.
 Rem2) Coplanarity shall be less than 0.1mm.
 Rem3) This drawing shows 24pairs jack connector.
 Rem4) Recommended panel thickness is 1.0 ± 0.1 mm.

PROPOSAL DRAWING

					TITLE		MICRO GIGACN™ Cable I/O Straight Jack	
					DRAW. NO.		DAPD-02-0058	
					CUST.			
07	Oct. 14 '03	DESIGN.	CHECK	All revised.				
DESIG. [Sep. 26 '03] T. Kumamoto		CHECK		DESCRIPTION		FUJITSU COMPONENT LIMITED		
				APPR. M. Kobayashi		1 / 2		

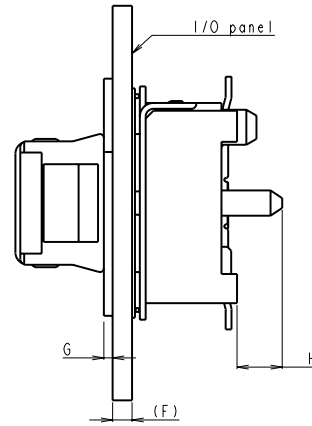
FCN-264D0**-G/ **, -G/ **

(Mold pin type)

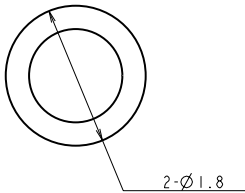


FCN-264D0**-G/ **, -G/ **

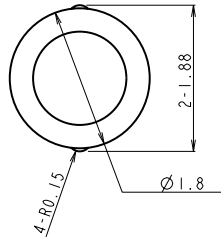
(Recommended P.W.B. thickness)



FCN-264D0**-G/ 1 *, -G/ 1 **
(Alignment pin type)



FCN-264D0**-G/ 2 *, -G/ 2 **
(Crush pin type)



Lock plate thickness

Part No.	F: Panel Thickness	G: Lock plate thickness
FCN-264D008-G/**	1.0	0.5: FCN-260A622 FCN-260A626
FCN-264D024-G/**	1.2	0.3: FCN-260A632 FCN-260A636

Solder post length

Part No.	P.W.B. Thickness	H
FCN-264D0**-G/*D FCN-264D0**-G/*DI	1.6	2.325
FCN-264D0**-G/*F FCN-264D0**-G/*FI	2.4	3.125
FCN-264D0**-G/*K FCN-264D0**-G/*KI	4.0	4.725

DATE DOCUMENT CONTROL SECTION

REV.	DATE	DESIGN	CHECK	DESCRIPTION	TITLE	DRAW. NO.	CUST.
01	Oct. 14, '03			All revised.	MICRO GIGACM™ Cable I/O Straight Jack	DAPD-02-0058	
DESIG.			CHECK		FUJITSU COMPONENT LIMITED		2 / 2