

# ADAPTERS, BETWEEN-SERIES

## Type N / SMA, DC - 18 GHz, Bulkhead Mount

### SPECIFICATIONS:

Models: 5203, 5207, 5216, 5217

**RoHS**  
Compliant

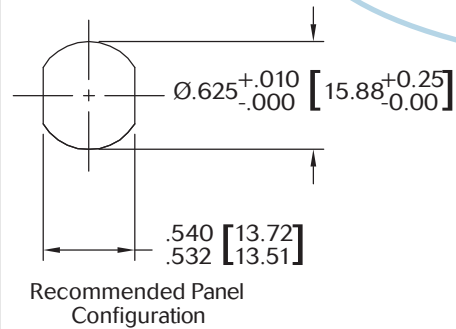
**AEROFLEX**  
A passion for performance.

#### Electrical:

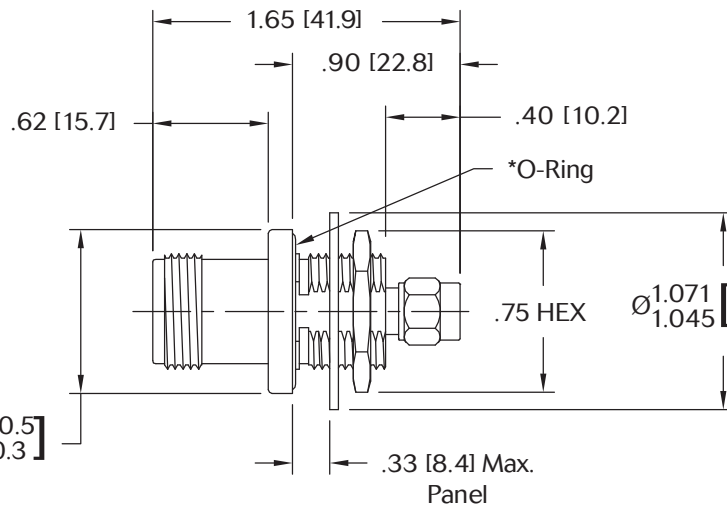
Frequency Range \_\_\_\_\_ DC - 18.0 GHz  
 VSWR \_\_\_\_\_  
 DC - 4 GHz \_\_\_\_\_ 1.04:1 Max.  
 4 - 8 GHz \_\_\_\_\_ 1.07:1 Max.  
 8 - 18 GHz \_\_\_\_\_ 1.12:1 Max.  
 Impedance \_\_\_\_\_ 50 Ohms  
 Operating Temp Range \_\_\_\_\_ -65°C to +125°C

#### Mechanical:

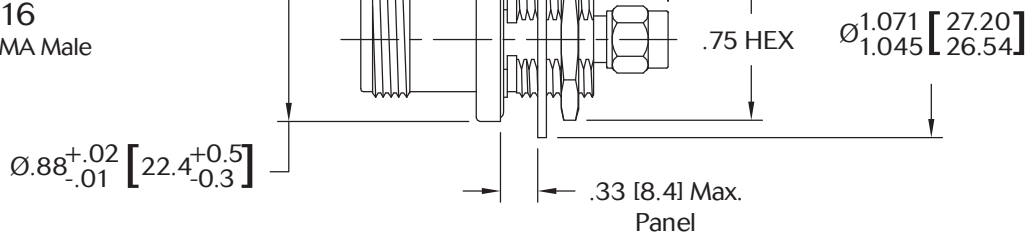
Connectors \_\_\_\_\_ Passivated Stainless Steel  
 (Mates with MIL-STD-348)  
 Conductors \_\_\_\_\_ Gold Plated Beryllium Copper  
 Nut & Washer \_\_\_\_\_ Passivated Stainless Steel  
 O-Ring \_\_\_\_\_ Silicone Rubber



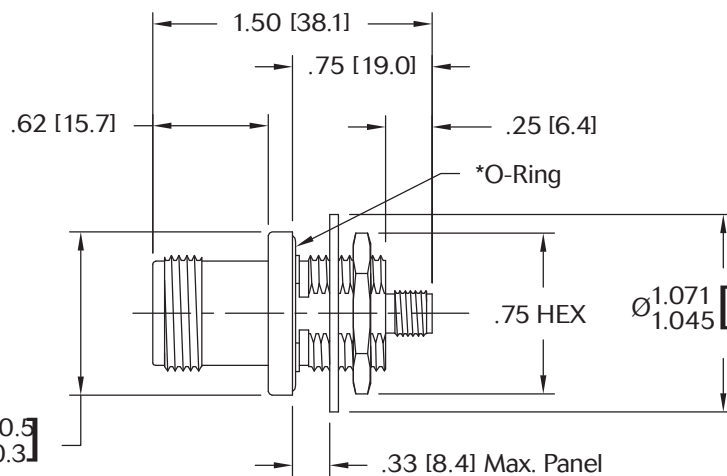
Model Number: **5207**  
 Type N Female / SMA Male  
 No O-Ring Included



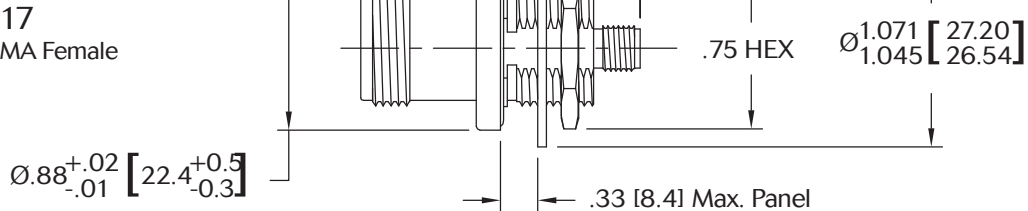
Model Number: **5216**  
 Type N Female / SMA Male  
 \*Includes O-Ring



Model Number: **5203**  
 Type N Female / SMA Female  
 No O-Ring Included



Model Number: **5217**  
 Type N Female / SMA Female  
 \*Includes O-Ring



Panel Nut, Lock Washer & O-Ring are Shipped Unassembled

Note: Dimensions in Brackets are Expressed in Millimeters and are for Reference Only.  
 Design specifications are subject to change without notice.  
 Contact factory for technical specifications before purchasing or use.

5207: REV J

**AEROFLEX**  
INMET

Aeroflex / Inmet, Inc. • 300 Dino Drive, Ann Arbor, MI 48103 • U.S.A.  
 888-244-6638 or 734-426-5553 • FAX: 734-426-5557  
 www.aeroflex.com/inmet • inmet@aeroflex.com