

ADAPTERS, BETWEEN-SERIES

2.4mm / 2.9mm , DC - 40 GHz

SPECIFICATIONS:

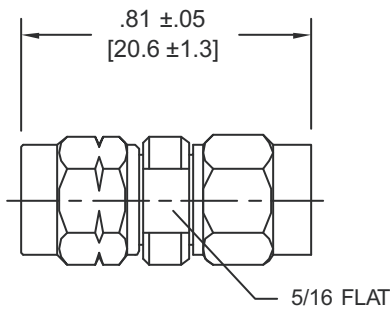
Models: 5151, 5152, 5153, 5154

RoHS
Compliant

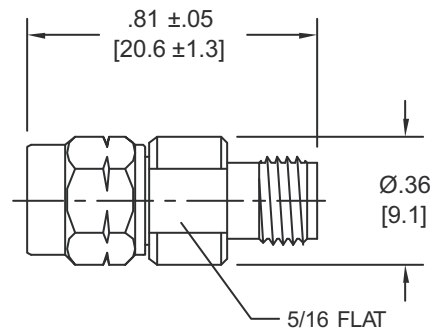
Electrical:	
Frequency Range _____	DC - 40 GHz
VSWR	
DC - 18 GHz _____	1.10:1 Max.
18 - 26.5 GHz _____	1.20:1 Max.
26.5 - 40 GHz _____	1.30:1 Max.
Impedance _____	50 Ohms
Operating Temp. Range _____	-65°C to +125°C
Mechanical:	
2.4mm Connectors _____	Passivated Stainless Steel
Mates with MILSTD-348	
2.9mm Connectors _____	Passivated Stainless Steel
Mates both Mechanically and Electrically with SMA, 3.5mm and K* Series Connectors	
Conductors _____	Gold Plated Beryllium Copper

* K is a Trademark of Anritsu Corp.

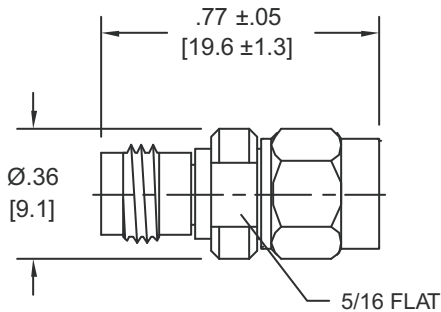
Model Number: **5154**
2.4mm Male / 2.9mm Male



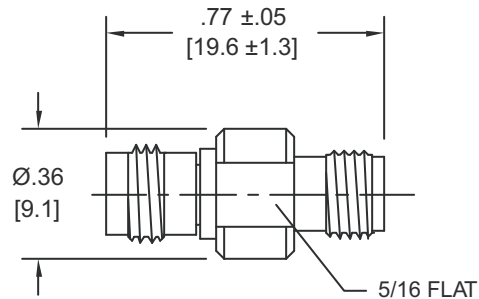
Model Number: **5153**
2.4mm Male / 2.9mm Female



Model Number: **5152**
2.4mm Female / 2.9mm Male



Model Number: **5151**
2.4mm Female / 2.9mm Female



Note: Dimensions in Brackets are Expressed in Millimeters and are for Reference Only.

5154: REV C



Aeroflex / Inmet, Inc. • 300 Dino Drive, Ann Arbor, MI 48103 • U.S.A.
888-244-6638 or 734-426-5553 • FAX: 734-426-5557
www.aeroflex.com/inmet • inmet@aeroflex.com

