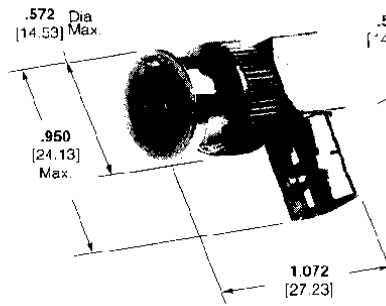


BNC Connectors, 50 Ohm (Continued)

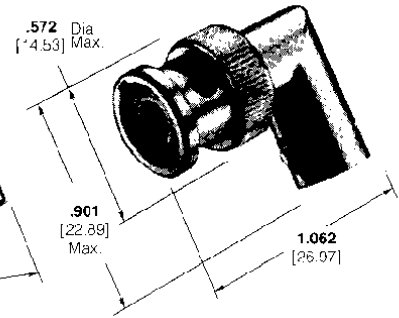
Right-Angle Adapters (Jack-Plug)

Body Plating	Center Contact Plating	Dielectric	Part No.	Style
Nickel	Silver	TEFLON	329517	A
Nickel	Gold	TEFLON	222165-2	A
Nickel	Gold	Polymethylpentene	414666-1	B

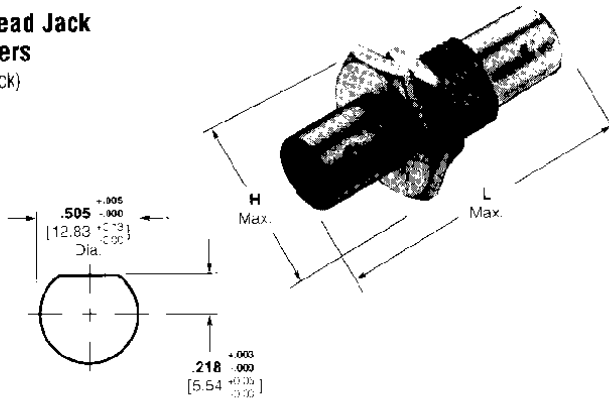
Style A



Style B



Bulkhead Jack Adapters (Jack-Jack)



Recommended Panel Cutout

H = 11/16 across flats, .800 [20.32] across points.

Body Plating	Center Contact Plating	Dimensions		Dielectric	Part No.	Comparable UG/U Connector
		H	L			
Nickel	Silver	.687 [17.45]	1.500 [38.10]	TEFLON	330024	492D
Nickel	Gold ¹	.700 [17.78]	1.420 [36.07]	Polyethylene	228226-1	—
Nickel	Gold ²	.700 [17.78]	1.420 [36.07]	Polyethylene	228226-3	—

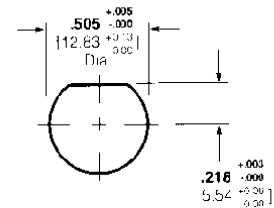
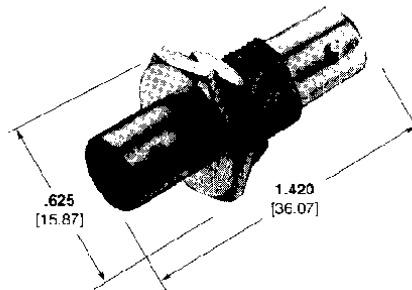
Plating:

Gold¹ — .000050 [0.00127] thick Gold² — .000015 [0.00076] thick

Note: If an Insulating Bushing is required see part number 330620 and Panel Cutout on page 30.

Isolated Bulkhead Jack Adapters (Jack-Jack)

Body Plating	Center Contact Plating	Dielectric	Part No.
Nickel	Gold	Polymethylpentene	414105-1
Nickel	Silver	Polymethylpentene	414105-2



Recommended Panel Cutout

H = 11/16 across flats, .800 [20.32] across points.

Jack Covers

Body Plating	Part No.
Silver	330022
Nickel	1-330022-2

Also available in Plastic
Part No. 131605-2

