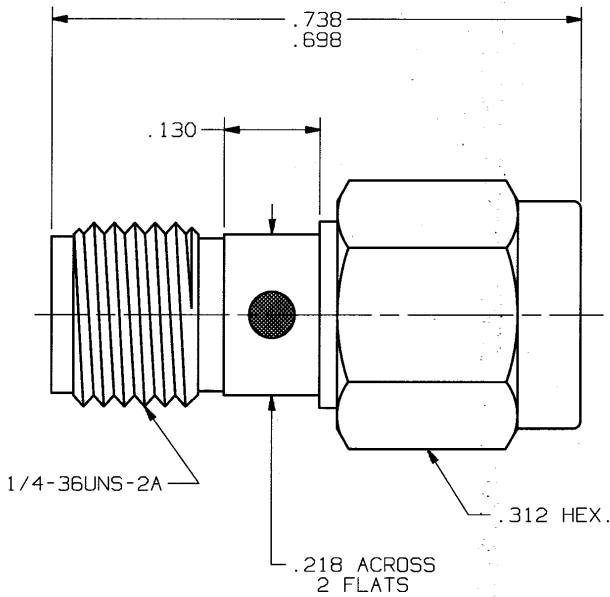


# PRODUCT DATA DRAWING

CAD GENERATED DRAWING	DCN CONTROLLED DOCUMENT	DWG. NO. SF2997-6003
-----------------------------	-------------------------------	-------------------------

## ENG. FILE COPY



### MATERIAL:

BODY & COUPLING NUT: STAINLESS STEEL PER AMS-5640, UNS S30300, TYPE I.

CONTACT & LOCK RING: BERYLLIUM COPPER PER AST-B-196, ALLOY C17300, COND. T004.

INSULATOR: TEFLON PER ASTM-D-1457.

GASKET: SILICONE RUBBER PER ZZ-R-765, CLASS IIB, GRADE 50/60.

### FINISH:

BODY & COUPLING NUT: PASSIVATED PER QQ-P-35C, TYPE II.

CONTACT: GOLD PER MIL-G-45204, TYPE I, GRADE C, CLASS 1; OVER NICKEL PER QQ-N-290, CLASS 1.

IMPEDANCE: 50 OHMS  
 FREQ. RANGE: DC-18.0 GHZ  
 D.W.V.: 1000 VRMS  
 INSUL. RES.: 5000 MEGOHMS

SYM.	DESCRIPTION	DATE	APPR.	UNLESS OTHERWISE SPECIFIED: 1) ALL DIMENSIONS ARE AFTER PLATING. 2) BREAK CORNERS & EDGES .005 R. MAX. 3) CHAM. 1st & LAST THDS. 4) SURFACE ROUGHNESS 63 / MIL-STD-10. 5) DIAS. ON COMMON CENTERS TO BE CONCENTRIC WITHIN .005 T.I.R. 6) REMOVE ALL BURRS.	DIMENSIONS ARE IN INCHES			Soltron Vector Microwave 3301 ELECTRONICS WAY WEST PALM BEACH, FL, 33407
					DECIMALS	FRACTIONAL	ANGULAR	
-	REL. DCN 23349	4/5/97	[Signature]		.X ±.030		X° ±1°0'	TITLE: ADAPTER STRAIGHT PLUG / JACK, SMA SERIES
					.XX ±.015	±1/64	X°X' ±15'	
				REDRAWN: BRT, 04/02/97	MATERIAL: SEE ABOVE			DWG. NO. SF2997-6003
				CHECKED:	FINISH: SEE ABOVE	AREA: N/A		
				APPROVED:	SIZE	CAGE NO.	SCALE	
					A	95077	5X	