

PRODUCT DATA DRAWING

CAD
GENERATED
DRAWING

DCN
CONTROLLED
DOCUMENT

DWG. NO.

SF2992-6001

ENG. FILE COPY

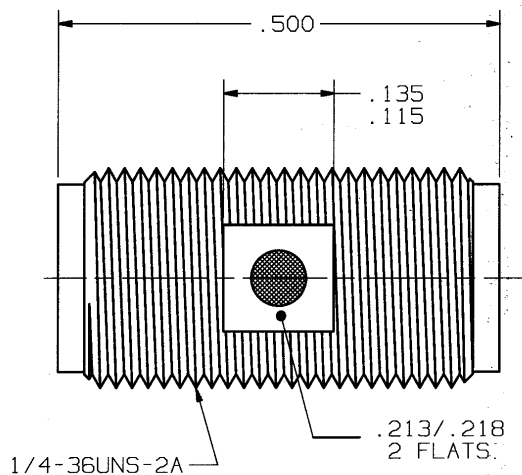
MATERIAL:

BODY: STAINLESS STEEL PER AMS-5460, UNS S30300, TYPE I.
CONTACT: BERYLLIUM COPPER PER ASTM-B-196, ALLOY UNS C17300, COND. TD04.
INSULATOR: TEFLON PER ASTM-D-1457.

FINISH:

BODY: PASSIVATED PER QQ-P-35C, TYPE II.
CONTACT: GOLD PER MIL-G-45204, TYPE I, GRADE C, CLASS 1; OVER NICKEL PER QQ-N-290, CLASS 1.

IMPEDANCE: 50 OHMS.
FREQ. RANGE: DC-18.0 GHz
D.W.V.: 1000 VRMS
INSUL. RES.: 5000 MEGOHMS MIN.



SYM.	DESCRIPTION	DATE	APPR.	UNLESS OTHERWISE SPECIFIED:	DIMENSIONS ARE IN INCHES			Solitron Vector Microwave 3301 ELECTRONICS WAY WEST PALM BEACH, FL, 33407
				1) ALL DIMENSIONS ARE AFTER PLATING. 2) BREAK CORNERS & EDGES .005 R. MAX. 3) CHAM. 1st & LAST THDS. 4) SURFACE ROUGHNESS 63 J MIL-STD-10. 5) DIAS. ON COMMON CENTERS TO BE CONCENTRIC WITHIN .005 T.I.R. 6) REMOVE ALL BURRS.	TOLERANCES:			
-	REL. DCN F05320	9/76	DGG		DECIMALS	FRACTIONAL	ANGULAR	DWG. NO. SF2992-6001
A	REV. DCN 23350	9/09	DGG		.X ±.030		X° ±1°0'	
				REDRAWN: BRT, 4/02/97	.XX ±.015	±1/64	X°X' ±15'	
				CHECKED:	.XXX ±.005			
				APPROVED: DGG 9/09/76	MATERIAL: SEE ABOVE	FINISH: SEE ABOVE	AREA: N/A	
					SIZE	CAGE NO.	SCALE	
					A	95077	6X	