

4

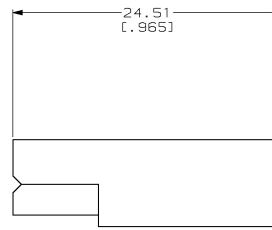
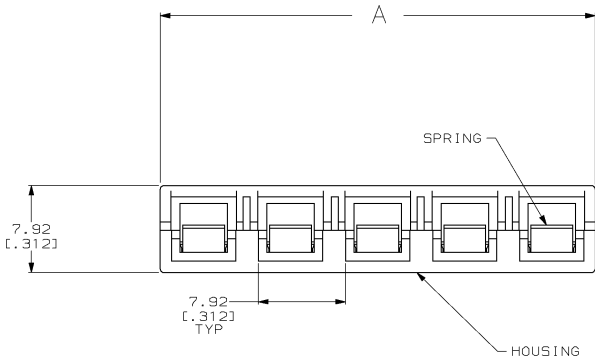
3

2

1

THIS DRAWING IS UNPUBLISHED. RELEASED FOR PUBLICATION
 © COPYRIGHT 19 BY AMP INCORPORATED. ALL RIGHTS RESERVED.

LOC	DIST	REVISIONS			
F	LWR	DESCRIPTION	DATE	OWN	APPD
E		REDRAWN & REV PER EC 0320-74-97	25 MAR 97	-	-



- HOUSING MATES WITH ITSELF 54483, 54489 OR GROUPS OF 53894.
 - ACCEPTS ANY SERIES 1 POWER LOCK CONTACTS.
- HOUSING: NYLON, NATURAL.
 SPRING: STAINLESS STEEL.

47.55 [1.872]	6	54483-6
39.62 [1.560]	5	54483-5
31.70 [1.248]	4	54483-4
23.77 [.936]	3	54483-3
15.85 [.624]	2	54483-2
A	NO OF POSN	PART NUMBER

THIS DRAWING IS A CONTROLLED DOCUMENT.		DWN: N. BINNER 10 APR 97 CHK: R. STONE 24 APR 97 APPD: M. MALONIS 22 MAY 97 NAME: AMP INCORPORATED ADDRESS: HARRISBURG, PA 17105-3608
DIMENSIONS: mm (INCHES) DIMENSIONS SPECIFIED:	0 PLG ±.01 0 PLG ±.02 0 PLG ±.025 (1.010) 0 PLG ±.01 H. PLG ±.01 ANGLES ±.01 FINISH:	PRODUCT SPEC: 108-11026 APPLICATION SPEC: 114-6032 WEIGHT:
MATERIAL:		TITLE: HOUSING & SPRING ASSY, W/O MTG LUGS, SERIES 1, POWER LOCK SIZE: CASE CODE DRAWING NO: A200779 ©-54483 RESTRICTED TO:
CUSTOMER DRAWING		SCALE: 4:1 SHEET 1 OF 1 REV E

54483

B

A