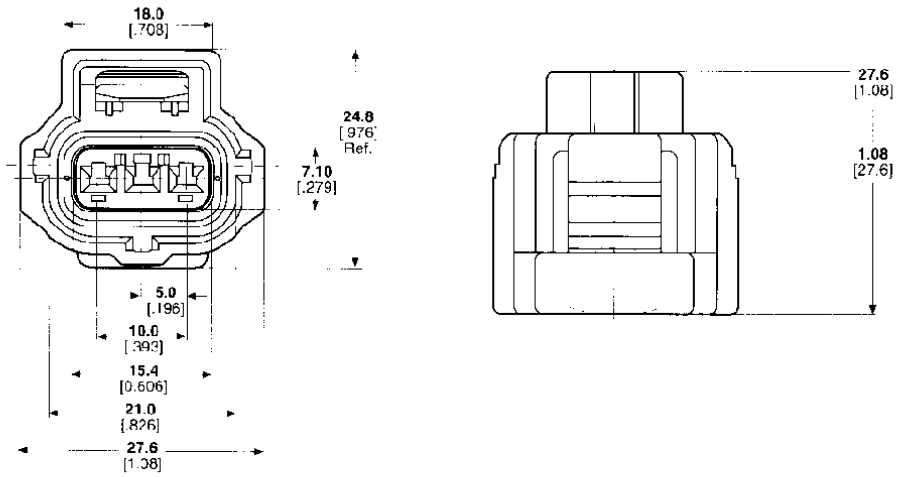


SSC (Sealed Sensor Connector) System (Continued)

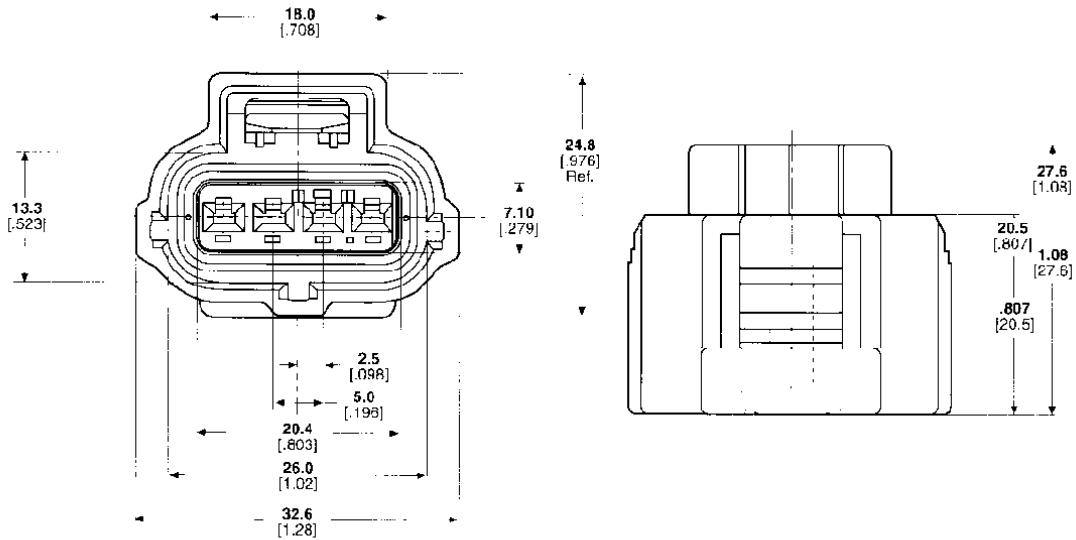
Plug Assemblies (Continued)

Three Position



Part Number 184032-1
Black

Four Position



Part Number 184046-1
Black