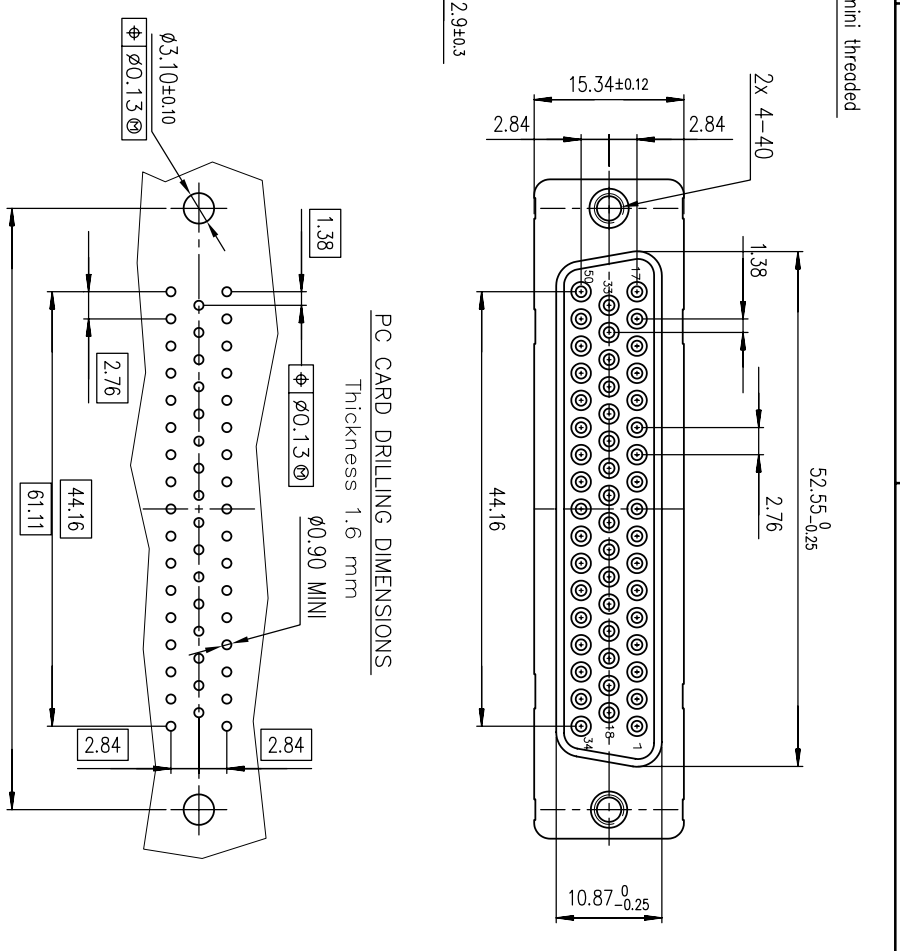
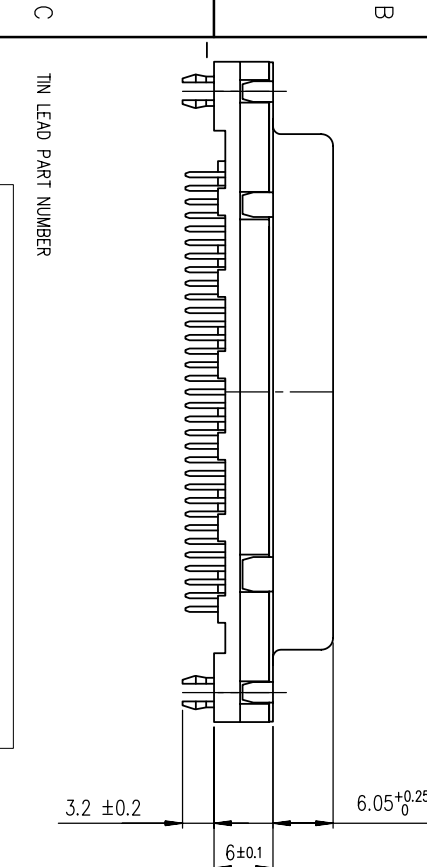
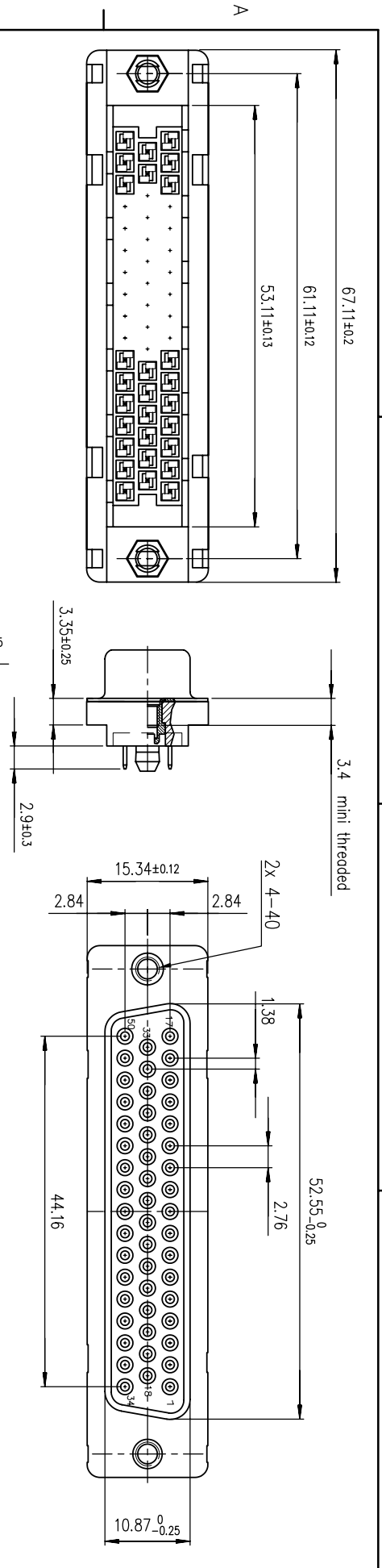




Copyright FCI.



GENERAL CHARACTERISTICS AND ROHS INFORMATIONS:
SEE DRAWING C01-8646-0000

TIN LEAD PART NUMBER
Part number: D S O S 2 4 A * G X O O O

LEAD FREE PART NUMBER
Part number: D S O S 2 4 A * G X O O L F

Plating: 4 --> flash AU
Plating: 6 ---> 0.76µ AU

rev	ech no	dr	date
B	-	MLE	1996/11/14
C	LS05-001	MPE	2005/03/10
D	LS06-0095	LSO	2006/06/28
E	110-0059	NG	2010-02-23
-	-	-	-
-	-	-	-

www.fciconnect.com		surface		tolerance std		projection		
Dr	PESSON	1995/07/12	ISO 1302	ISO 406	ISO 1101	ANGULAR	mm	
Eng	PESSON	1995/07/12	TOLERANCES UNLESS OTHERWISE SPECIFIED				LINEAR	Scale
Chr	NIRVAL GEORGE	2010-02-23	0.xx	0.xx	±0.1	0.xx	2	
Apr	SUDHIR VARMA	2010-02-23	0.xxx	0.xxx	±0.1	0.xxx	110-0059	
Product family		D-SUB		Spec ref		-		
FEMALE CONNECTOR DELTA D 50-EUROPE		straight solder,harpoon,nuts		C01-8646-0353		Rev.		
catalog no		-		CUSTOMER		sheet 1 of 1		

European Views

REV F - 2006-04-17

1

2

3

4

1

2

3

4