

Tous droits strictement réservés. Reproduction ou communication à des tiers interdite sous quelque forme que ce soit sans autorisation écrite du propriétaire. Propriété de c FCI. Droits de reproduction FCI.



All rights strictly reserved. Reproduction or issue to third parties in any form whatever is not permitted without written authority from the proprietor. Property of FCI. Copyright FCI.

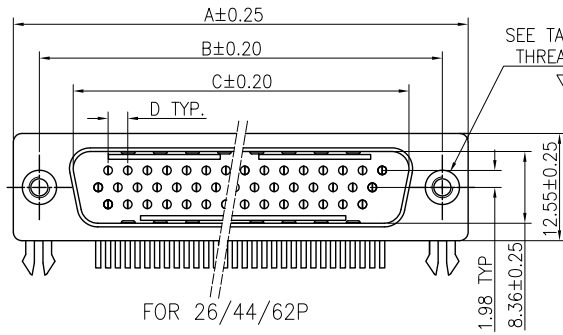
B

A

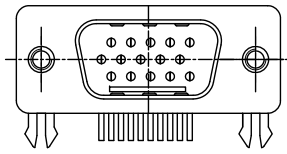
1 2

3

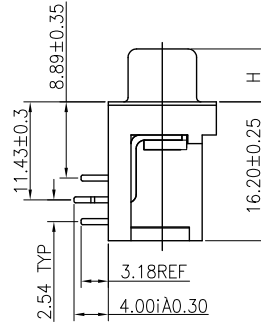
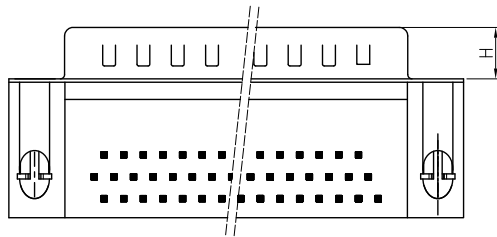
4



FOR 26/44/62P



FOR 15P



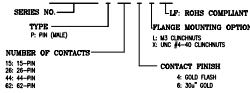
REMARK:

- CHARACTERISTICS:
 - RATED VOLTAGE: 250V
 - RATED CURRENT: 2.5AMP
 - CONTACT RESISTANCE: 25mohms MAX(40mohms MAX FOR AFTER TEST).
 - INSULATION RESISTANCE: 5000mohms MIN.at 500V DC
 - DIELECTRIC STRENGTH: 750V/RMS
 - OPERATING TEMPERATURE RANGE: -55° C-105° C
 - INSERTION/EXTRACTION FORCE PER CONTACT: 5N Max./0.2N Min.
 - MATING/UNMATING CYCLES: 200MATING MIN FOR GOLD-FLASH 500MATING MIN FOR 30u" GOLD.

2. MATERIAL:

- INSULATORS: THERMOPLASTIC G.F(UL94V-0) BLACK
- CONTACTS: COPPER ALLOY, GOLD(G/F or 30u") TOP OVER CONTACT AREA, 100u" Min MATTE TIN TOP OVER SOLDER AREA, 50u" Min NICKEL UNDER PLATE.
- SHELL: CARBON STEEL, 100u" Min NICKEL TOP OVER, 50u" Min COPPER UNDER PLATE.
- Z BRACKET: COPPER ALLOY, 100u" Min MATTE TIN PLATED.
- SCREW LOCK: COPPER ALLOY, 50u" Min NICKEL PLATED.

3. PART NUMBER DESCRIPTION: 10090926-P XX X X LP



POS.	PART NO.	THREAD TYPE
15P	10090926-P15*LLF	M3*0.5
26P	10090926-P26*LLF	M3*0.5
44P	10090926-P44*LLF	M3*0.5
62P	10090926-P62*LLF	M3*0.5
15P	10090926-P15*XLFF	UNC #4-40
26P	10090926-P26*XLFF	UNC #4-40
44P	10090926-P44*XLFF	UNC #4-40
62P	10090926-P62*XLFF	UNC #4-40

POS.	A	B	C	D	E	F	H
15P	30.81	24.99	16.92	2.29	8.19	7.68	5.90±0.25
26P	39.24	33.32	25.25	2.29	8.01	7.02	5.90±0.25
44P	53.04	47.04	38.96	2.29	8.02	7.01	5.70±0.25
62P	69.32	63.50	55.42	2.41	8.21	7.03	5.70±0.25

mat'l. code				tolerances unless otherwise specified		CUSTOMER COPY		FCI	
lfr	ecn no	dr	date	linear	.X ± 0.38	projection	title		
A	T09-1156	J.H	12/10/09		.XX ± 0.25		www.fciconnect.com		
B	T10-0164	J.H	10/19/10	angles	.XXX ± 0.10		H/D D-SUB MALE RIGHT-ANGLE		
				dr	0° ±2°	MM	product family	D-SUB	code
				engr		scale	size	dwg no	TWN
				chr	JASON HSU 10/19/10	1:1	A4	10090926	sheet
				appl	JASON HSU 10/19/10				1 of 5
sheet index	revision sheet	B 1	B 2	B 3	B 4	B 5	cage code		

ACAD

PDM: Rev:B

STATUS:Released

Printed: Nov 02, 2010

B

4

3

2

1

A

1

2

3

4

5

6

7

8

9

10

11

12

13

14

15

16

17

18

19

20

21

22

23

24

25

26

27

28

29

30

31

32

33

34

35

36

37

38

39

40

41

42

43

44

45

46

47

48

49

50

51

52

53

54

55

56

57

58

59

60

61

62

63

64

65

66

67

68

69

70

71

72

73

74

75

76

77

78

79

80

81

82

83

84

85

86

87

88

89

90

91

92

93

94

95

96

97

98

99

100

101

102

103

104

105

106

107

108

109

110

111

112

113

114

115

116

117

118

119

120

121

122

123

124

125

126

127

128

129

130

131

132

133

134

135

136

137

138

139

140

141

142

143

144

145

146

147

148

149

150

151

152

153

154

155

156

157

158

159

160

161

162

163

164

165

166

167

168

169

170

171

172

173

174

175

176

177

178

179

180

181

182

183

184

185

186

187

188

189

190

191

192

193

194

195

196

197

198

199

200

201

202

203

204

205

206

207

208

209

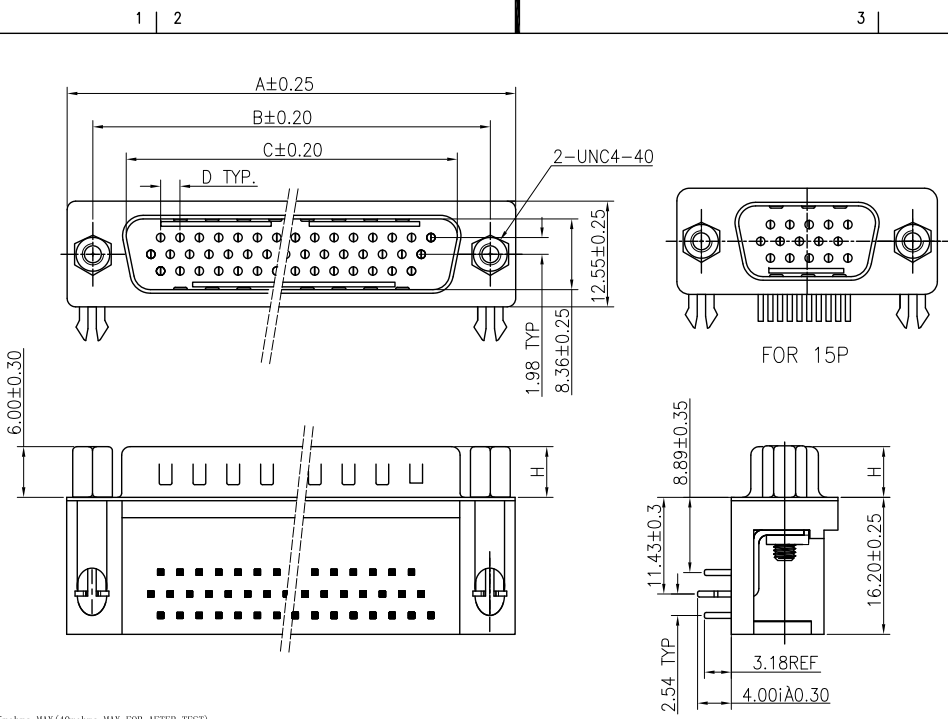
210

211

Tous droits strictement réservés. Reproduction ou communication à des tiers interdite sous quelque forme que ce soit sans autorisation écrite du propriétaire. Propriété de c FCI. Droits de reproduction FCI.



All rights strictly reserved. Reproduction or issue to third parties in any form whatever is not permitted without written authority from the proprietor. Property of FCI. Copyright FCI.



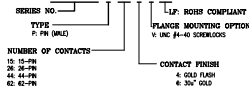
REMARK:

- CHARACTERISTICS:
 - RATED VOLTAGE: 250V
 - RATED CURRENT: 2.5AMP
 - CONTACT RESISTANCE: 25mohms MAX(40mohms MAX FOR AFTER TEST).
 - INSULATION RESISTANCE: 5000Mohms MIN.at 500V DC
 - DIELECTRIC STRENGTH: 750VRMS
 - OPERATING TEMPERATURE RANGE: -55° C~+105° C
 - INSERTION/EXTRACTION FORCE PER CONTACT: 5N Max./0.2N Min.
 - MATING/UNMATING CYCLES: 200MATINGS MIN FOR GOLD-FLASH 500MATINGS MIN FOR 30u" GOLD.

2. MATERIAL:

- INSULATORS: THERMOPLASTIC G.F.(UL94V-0) BLACK
- CONTACTS: COPPER ALLOY(G/F or 30u")TOP OVER CONTACT AREA, 100u" Min MATTE TIN TOP OVER SOLDER AREA, 50u" Min NICKEL UNDER PLATE.
- SHELL: CARBON STEEL, 100u" Min NICKEL TOP OVER, 50u" Min COPPER UNDER PLATE.
- Z BRACKET: COPPER ALLOY, 100u" Min MATTE TIN PLATED.
- SCREW LOCK: COPPER ALLOY, 50u" Min NICKEL PLATED.
- NUT: COPPER ALLOY, 50u" Min NICKEL PLATED.

3. PART NUMBER DESCRIPTION: 10090926-P XX X X LP



POS.	PART NO.	A	B	C	D	E	F	H
15P	10090926-P15*VLF	30.81	24.99	16.92	2.29	8.19	7.68	5.90 ^{±0.25}
26P	10090926-P26*VLF	39.24	33.32	25.25	2.29	8.01	7.02	5.90 ^{±0.25}
44P	10090926-P44*VLF	53.04	47.04	38.96	2.29	8.02	7.01	5.90 ^{±0.25}
62P	10090926-P62*VLF	69.32	63.50	55.42	2.41	8.21	7.03	5.90 ^{±0.25}

mat'l. code		tolerances unless otherwise specified		CUSTOMER COPY		FCI	
ltr	ecn no	dr	date	.X ± 0.38	projection	www.fciconnect.com	
B				.XX ± 0.25	title		
				.XXX ± 0.10	H/D D-SUB MALE RIGHT-ANGLE		
				0° ±2°	product family	D-SUB	code
					size	dwg no	TWN
					scale	10090926	sheet
							2 of 5
sheet index	revision sheet						

ACAD

PDM: Rev:B

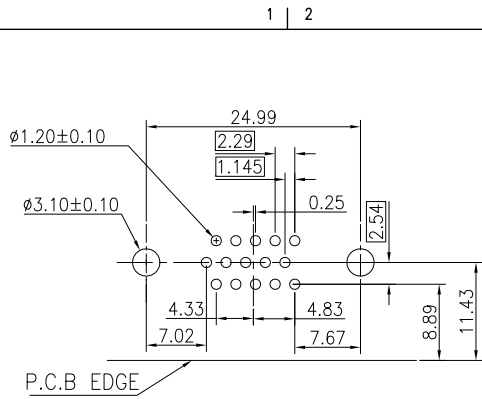
STATUS:Released

Printed: Nov 02, 2010

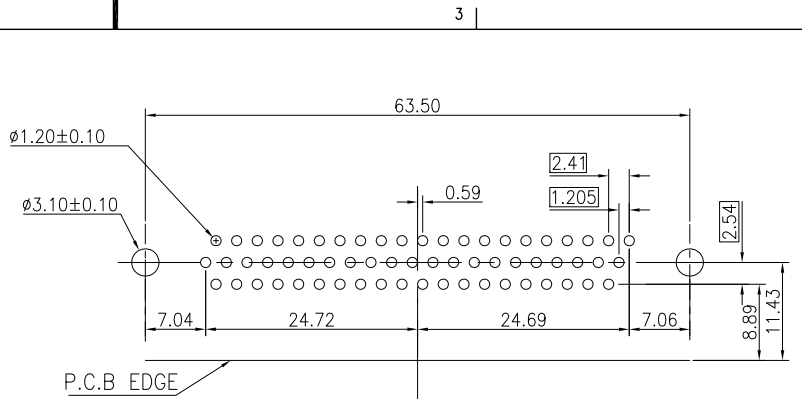
Tous droits strictement réservés. Reproduction ou communication à des tiers interdite sous quelque forme que ce soit sans autorisation écrite du propriétaire. Propriété de c FCI. Droits de reproduction FCI.



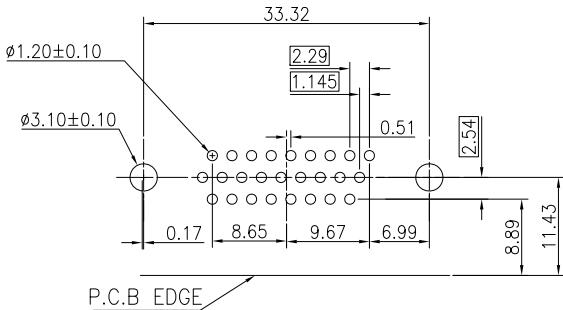
All rights strictly reserved. Reproduction or issue to third parties in any form whatever is not permitted without written authority from the proprietor. Property of FCI. Copyright FCI.



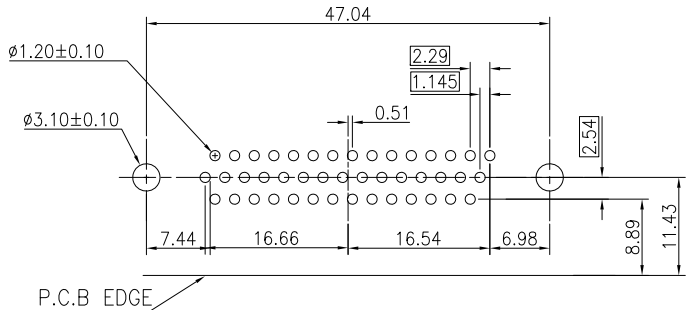
P.C.B LAYOUT(FOR 15P)



P.C.B LAYOUT(FOR 62P)



P.C.B LAYOUT(FOR 26P)



P.C.B LAYOUT(FOR 44P)

mat'l. code				tolerances unless otherwise specified			CUSTOMER COPY		FCI		www.fciconnect.com	
ltr	ecn no	dr	date	linear	.X ± 0.38	projection	title					
B					.XX ± 0.25		H/D D-SUB MALE RIGHT-ANGLE PCB					
				angles	.XXX ± 0.10		product family	D-SUB		code		
				dr	0° ± 2°	MM	size		D-SUB		TWN	
				enrg		scale	10090926		sheet		3 of 5	
				chr	JASON HSU 10/19/10	1:1	A4		cage code			
				appd	JASON HSU 10/19/10							
sheet index	revision											
	sheet											

ACAD

PDM: Rev:B

STATUS:Released

Printed: Nov 02, 2010

Tous droits strictement réservés. Reproduction ou communication à des tiers interdite sous quelque forme que ce soit sans autorisation écrite du propriétaire. Propriété de c FCI. Droits de reproduction FCI.

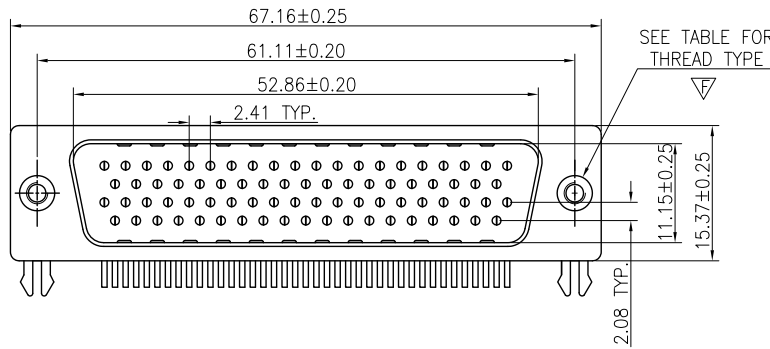


All rights strictly reserved. Reproduction or issue to third parties in any form whatever is not permitted without written authority from the proprietor. Property of FCI. Copyright FCI.

1 | 2

3

4

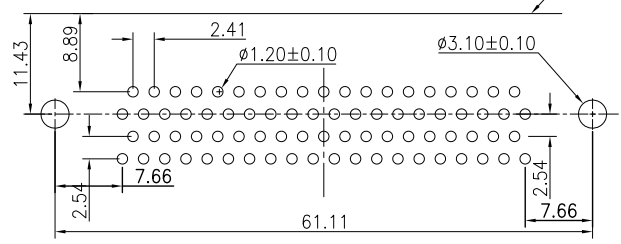
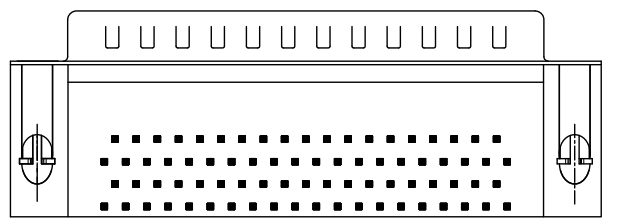
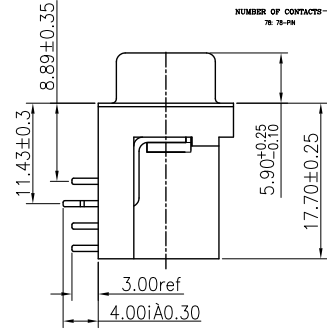
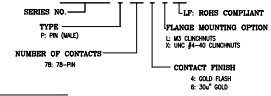


REMARK:

1. CHARACTERISTICS:
 RATED VOLTAGE: 250V
 RATED CURRENT: 2.5AMP
 CONTACT RESISTANCE: 35mohms MAX(50mohms MAX FOR AFTER TEST).
 INSULATION RESISTANCE: 5000Mohms MIN. at 500V DC
 DIELECTRIC STRENGTH: 750VRMS
 OPERATING TEMPERATURE RANGE: -55° C~105° C
 INSERTION/EXTRACTION FORCE PER CONTACT: 5N Max./0.2N Min.
 MATING/UNMATING CYCLES: 200MATINGS MIN FOR GOLD-FLASH
 500MATINGS MIN FOR 30u" GOLD.

2. MATERIAL:
 INSULATORS: THERMOPLASTIC G.F.(UL94V-0) BLACK
 CONTACTS: COPPER ALLOY, GOLD(G/F or 30u")TOP OVER CONTACT AREA,
 100u" Min MATTE TIN TOP OVER SOLDER AREA,
 50u" Min NICKEL UNDER PLATE.
 SHELL: CARBON STEEL, 100u" Min NICKEL TOP OVER,
 50u" Min COPPER UNDER PLATE.
 Z BRACKET: COPPER ALLOY, 100u" Min MATTE TIN PLATED.
 SCREW LOCK: COPPER ALLOY, 50u" Min NICKEL PLATED.

3. PART NUMBER DESCRIPTION: **10090926-P XX X X LF**



POS.	PART NO.	THREAD TYPE
78P	10090926-P78*LLF	M3*0.5
78P	10090926-P78*XLf	UNC #4-40

mat'l. code		tolerances unless otherwise specified		CUSTOMER COPY	
ltr	ecn no	dr	date	linear	projection
B				.X ± 0.38	MM
				.XX ± 0.25	scale
				.XXX ± 0.10	1:1
				angles	
				0° ±2°	
				dr	JASON HSU 10/19/10
				enrg	JASON HSU 10/19/10
				chr	GARY HSIEH 10/19/10
				appd	JOSEPH HSIA 10/19/10
sheet index	revision sheet				

FCI		www.fciconnect.com	
title			
H/D D-SUB MALE RIGHT-ANGLE			
product family	D-SUB	code	TWN
size	dwg no	sheet	4 of 5
A4	10090926		

1 | 2

3

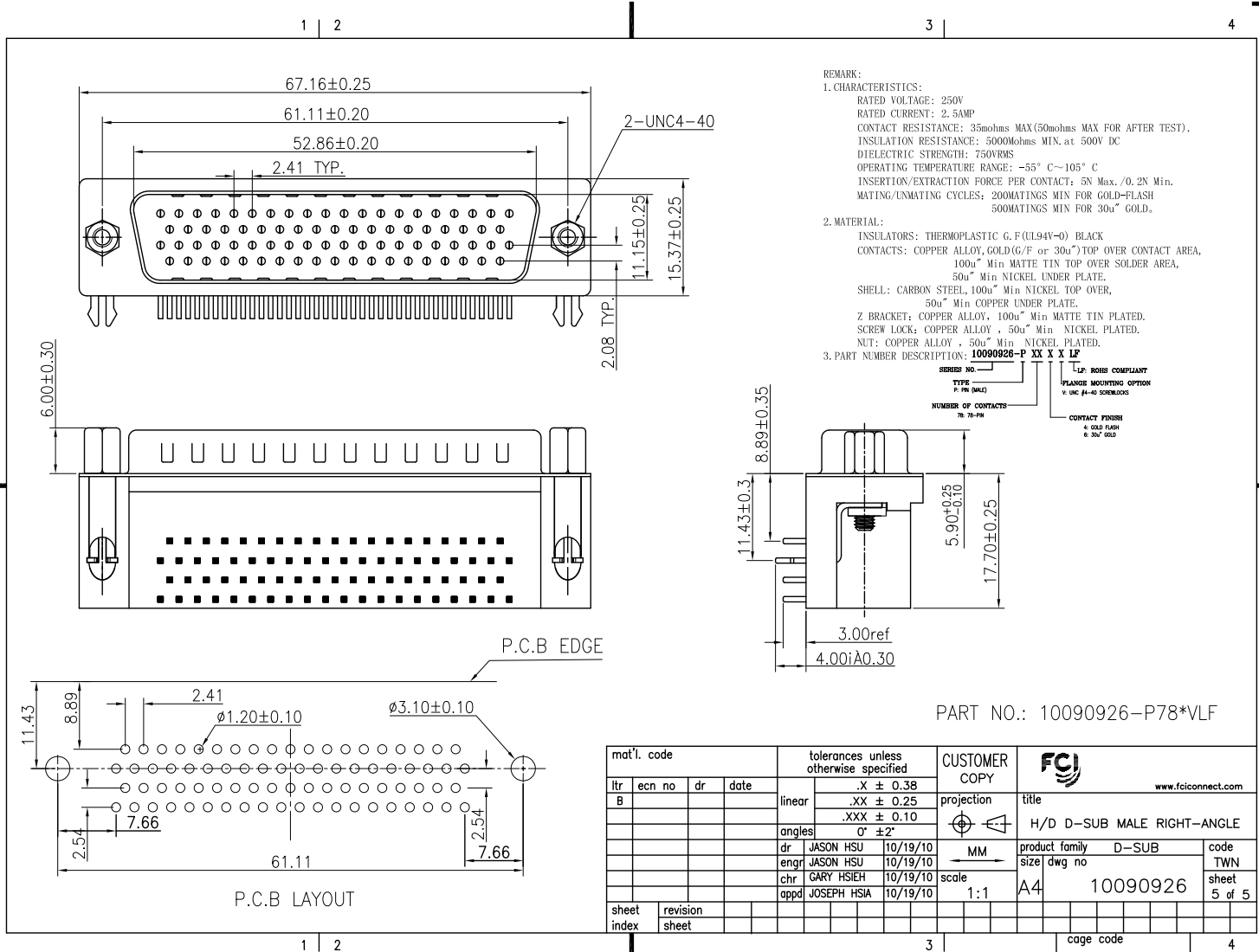
4

ACAD PDM: Rev:B STATUS:Released Printed: Nov 02, 2010

Tous droits strictement réservés. Reproduction ou communication à des tiers
Interdite sous quelque forme que ce soit sans autorisation écrite du propriétaire.
Propriété de c FCI. Droits de reproduction FCI.



All rights strictly reserved. Reproduction or issue to third parties in any
form whatever is not permitted without written authority from the proprietor.
Property of FCI. Copyright FCI.



REMARK:

- CHARACTERISTICS:
 - RATED VOLTAGE: 250V
 - RATED CURRENT: 2.5AMP
 - CONTACT RESISTANCE: 35mohms MAX(50mohms MAX FOR AFTER TEST).
 - INSULATION RESISTANCE: 5000Mohms MIN.at 500V DC
 - DIELECTRIC STRENGTH: 750VRMS
 - OPERATING TEMPERATURE RANGE: -55° C~105° C
 - INSERTION/EXTRACTION FORCE PER CONTACT: 5N Max./0.2N Min.
 - MATING/UNMATING CYCLES: 200MATINGS MIN FOR GOLD-FLASH
500MATINGS MIN FOR 30u" GOLD.
- MATERIAL:
 - INSULATORS: THERMOPLASTIC G.F(UL94V-0) BLACK
 - CONTACTS: COPPER ALLOY, GOLD(G/F or 30u")TOP OVER CONTACT AREA,
100u" Min MATTE TIN TOP OVER SOLDER AREA,
50u" Min NICKEL UNDER PLATE.
 - SHELL: CARBON STEEL, 100u" Min NICKEL TOP OVER,
50u" Min COPPER UNDER PLATE.
 - Z BRACKET: COPPER ALLOY, 100u" Min MATTE TIN PLATED.
 - SCREW LOCK: COPPER ALLOY, 50u" Min NICKEL PLATED.
 - NUT: COPPER ALLOY, 50u" Min NICKEL PLATED.
- PART NUMBER DESCRIPTION: **10090926-P XX X X LF**
 - SERIES NO. _____
 - TYPE _____
 - P. PIN (MALE) _____
 - NUMBER OF CONTACTS _____
 - REF. BOHS COMPLIANT
 - FLANGE MOUNTING OPTION
 - X. UNC #4-40 SCREWS/LOCS
 - CONTACT FINISH
A. GOLD FLASH
B. 30u" GOLD

PART NO.: 10090926-P78*VLF

mat'l. code				tolerances unless otherwise specified		CUSTOMER COPY		FCI	
ltr	ecn no	dr	date	linear	.X ± 0.38	projection	www.fciconnect.com		
B					.XX ± 0.25		title		
				angles	.XXX ± 0.10		H/D D-SUB MALE RIGHT-ANGLE		
				dr	0° ±2'		product family		code
				engr	JASON HSU 10/19/10		D-SUB		TWN
				chr	JASON HSU 10/19/10		size		sheet
				appd	GARY HSIEH 10/19/10		10090926		5 of 5
sheet index	revision	sheet		appd	JOSEPH HSIA 10/19/10	scale	A4		
						1:1			
							cage code		