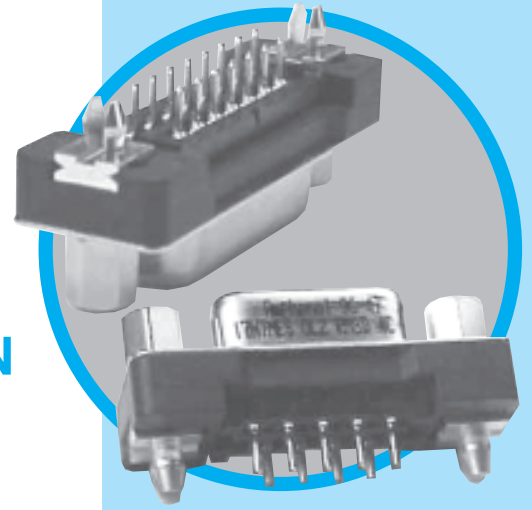


HTN

D-Sub connectors - Stamped and Formed Contacts

STRAIGHT PCB TERMINATION HIGH TEMPERATURE CONNECTORS



Specifications

- Connectors according to MIL C24308

CHARACTERISTICS

Materials and Platings	
Shell	Steel, tin over nickel plating
Insulator	Glass-filled PA9T thermoplastic, UL 94V-0
Contacts	Copper alloy, selective gold plating
Boardlock	Brass, tin over nickel plating
Screwlock	Brass, tin over nickel plating

Electrical Data	
Current rating	5A
Voltage rating	600V AC/rms 50Hz
Withstanding voltage	1000V AC/rms 50Hz for one minute
Insulation resistance	5000MΩ
Contact resistance	10mΩ max

Climatic Data	
Operating temperature	-55°C to +150°C, resist to short term soldering at 260°C for 20sec.

Mechanical Data		
Mating and unmating force		
Unit: kg (lb)		
No. of Cts	Mate (max)	Unmate (min)
9	3.05 (6.74)	0.36 (0.79)
15	5.09 (11.24)	0.46 (1.01)
25	8.44 (18.66)	0.81 (1.8)
37	12.51 (27.65)	1.1 (2.47)
Standard plating thicknesses		
<ul style="list-style-type: none"> • Gold flash • 0.4 μm (15μ") Gold • 0.76 μm (30μ") Gold 		

DESCRIPTION

The Amphenol HTN series allows the use of through hole connectors with reflow soldering process. This series gives you Amphenol's high standards of quality and reliability, to meet all of your commercial requirements.

Economical
straight PCB,
high temperature
connectors

APPLICATIONS

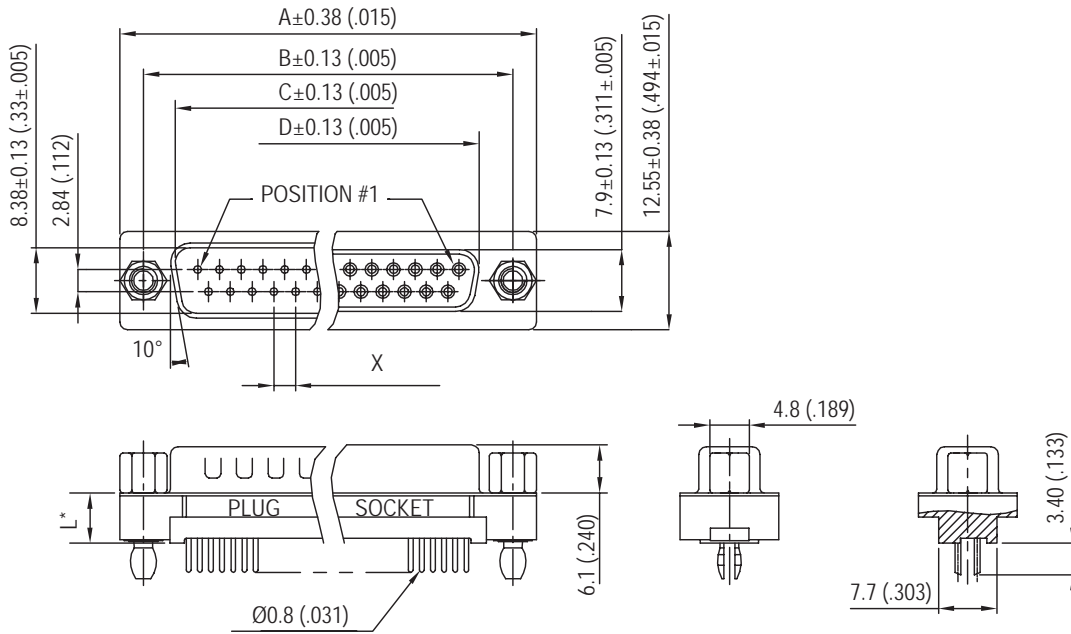
- Industrial
- Telecom
- Any industry standard I / O connections

HTN / E15



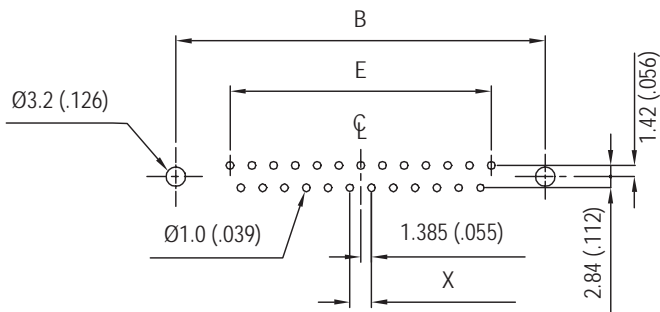
Amphenol

Shell size dimensions



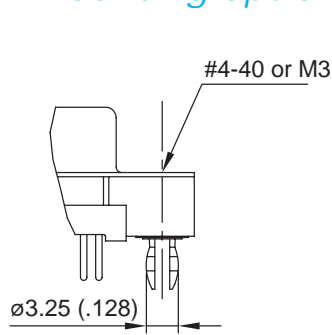
*see chart "how to order"

Recommended P.C.B. Layout

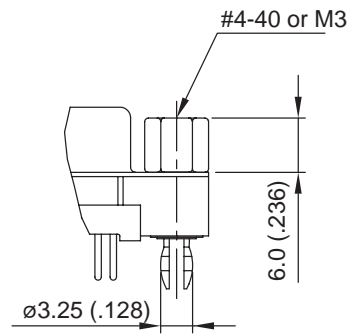


Nb OF CONTACTS	DIMENSIONS mm (inch)					
	A	B	C	D	E	X
9	30.84 (1.21)	24.99 (.984)	16.92 (.666)	16.26 (.640)	11.08 (.436)	2.74
15	39.24 (1.54)	33.32 (1.31)	25.25 (.994)	24.56 (.967)	19.39 (.763)	2.74
25	53.04 (2.09)	47.04 (1.85)	38.96 (1.53)	38.38 (1.51)	33.24 (1.31)	2.77
37	69.34 (2.73)	63.50 (2.50)	55.42 (2.18)	54.76 (2.16)	49.86 (1.96)	2.77

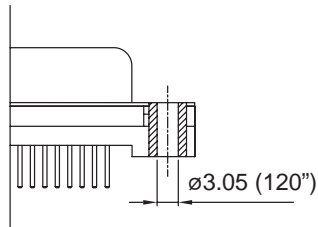
Panel mounting option



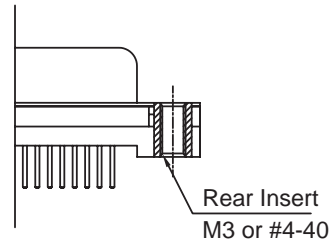
Boardlock with Threaded Insert
RM5



Boardlock with Front Screwlock
RM8



Clear Hole
Blank



Rear Insert Threaded
H or G

How to order

