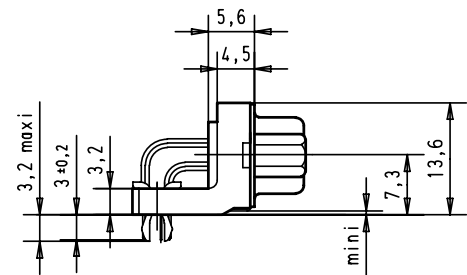
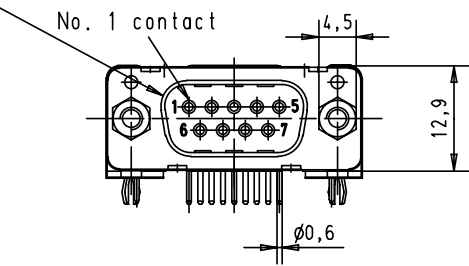
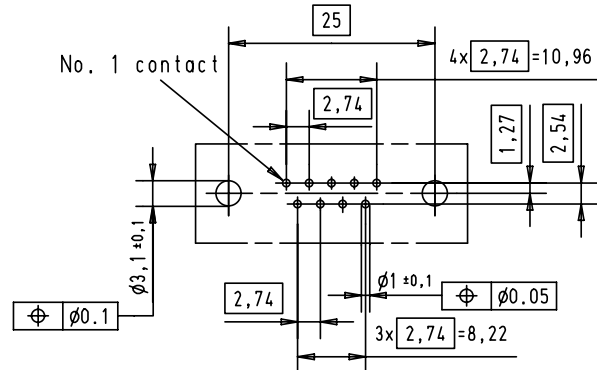
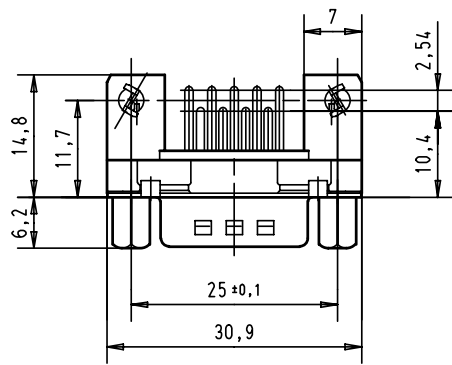


Alle Rechte vorbehalten / All rights reserved

Mating face according to MIL-C-24308 / DIN 41 652 / CECC 75301-802



Printed board layout (1,6±0,2 thick)
View component side
(PCB plating = Tin)



Mounting force on Printed board : 25 - 80 N

					Det.	Name	 D-Sub male standard 9 poles with solder pins, screw-lock, board lock and grounding pins	Maßstab/ Scale
					Detail.	JB		1,5:1
					Insp.			
09 66 162 6813	4-40 UNC	2			Stand.		All Dim. in mm Orig. Size DIN A 4	
09 66 162 7813	4-40 UNC	3						
09 66 162 5813	4-40 UNC	0,76 µm Au	29725	26-OCT-01	JB	HARTING EURL F-95972 Paris	TB 09 66 162 X81X	Blatt/ Page 3
Part number	screw-lock	Performance level	Mod.	Det.	Name		Sub.	