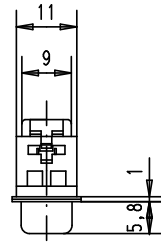
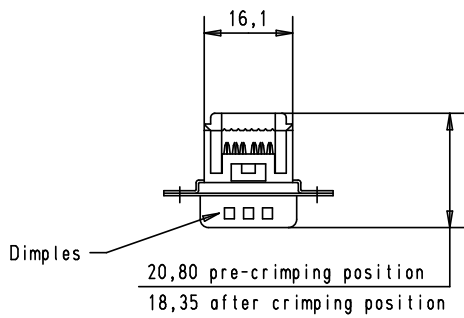
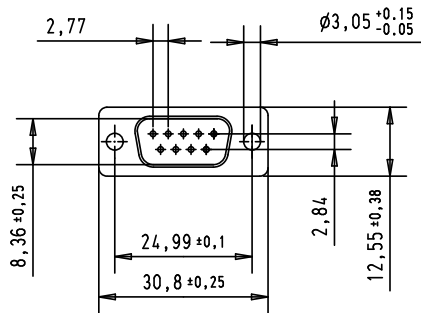
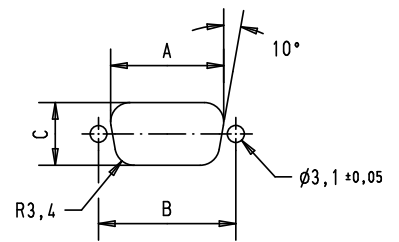


RECOMMENDED PANEL CUTOUT DIMENSIONS

Values are taken from the  
CECC 75 301-802

	A±0.2	B±0.13	C±0.2
front mount	22,2	25	12,3
rear mount	20,5	25	11,4



1.27 mm pitch flat cable stranded, wire sizes : AWG 26 to 28

09 66 128 7700	PL3										D-sub, male, 9poles, straight, IDC, through holes	Maßstab/ Scale 1:1
09 66 128 6700	PL2				Detail.	03-JUL-01	SH					
			EC01902	21-MAY-10	SC	Insp.					All Dim. in mm Orig. Size DIN A 4	Blatt/ Page 1 /
			29771	16-APR-02	CV	Stand.						
			29756	19-MAR-02	CV						<b>TB 0966 128 x700</b>	Sub.
part number	performance level		29692	03-JUL-01	SH							
			Mod.	Da1.	Name	<b>HARTING EURL</b> F-95972 Paris						