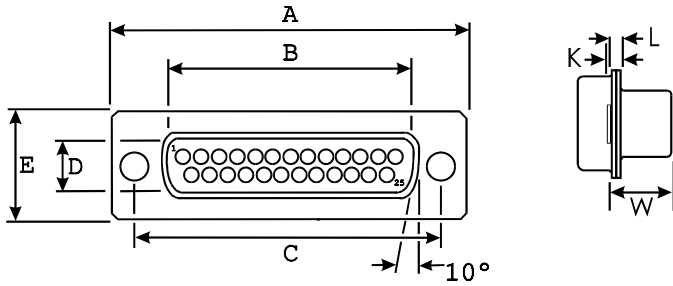
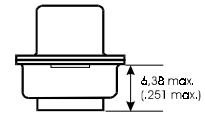


This is issued in strict confidence on condition that it is not used as a basis for manufacture or sale, and that it is not copied, reprinted or disclosed to a third party either wholly or in part without prior written consent of ITT Cannon.

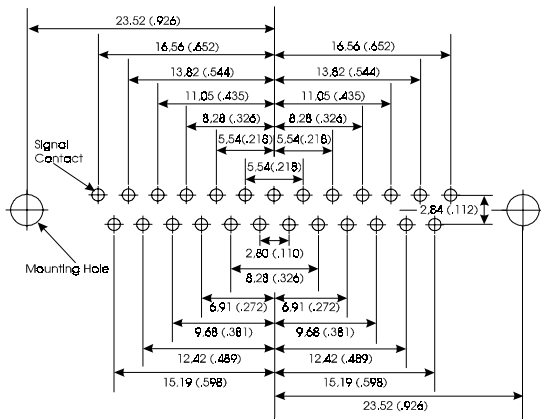


No mounting hardware selected  
with 3,05 (.120) mounting hole

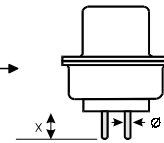


Signal contacts  
not shown for clarity

A ± 0,38 (.015)	B ± 0,13 (.005)	C ± 0,13 (.005)	D ± 0,13 (.005)	E ± 0,38 (.015)	L ± 0,25 (.010)	W ± 0,41 (.016)	K ± 0,25 (.010)
53,04 (2.088)	38,96 (1.534)	47,04 (1.852)	8,36 (.329)	12,55 (.494)	0,99 (.039)	6,84 (.269)	1,52 (.060)



Straight signal contacts



Signal contact diameter	Signal contact length from back of insulator
Y ± 0,04 (.002)	X ± 0,69 (.027)
1,00 (.040)	3,23 (.127)

DESCRIPTION	MATERIAL	FINISH
Insulator	Polyester	None, (Color Dark Green)
Shells	Steel	Yellow Chromate over Zinc
Signal Contacts	Copper alloy	Gold over Ni

PCB mounting hole Ø (2)	PCB Signal cont Ø (25)
3,05 (.120) ± 0,05 (.002)	1,40 (.055)

Unless otherwise specified,  
dimensions are in mm & (in.)  
Tolerances are (.XXX = mm)  
Decimals      Angles  
.X    ± 0,20 (.008)    X° ± 1,0°  
.XX   ± 0,10 (.004)  
.XXX ± 0,05 (.002)

Issue Date: 20-Aug-99	Cannon	ITT Industries
CONNECTOR, PLUG, ELECTRICAL D-SUBMINIATURE 25 POSITION STRAIGHT PCB		
PART NO.	DBM25PB	

NOTE: DO NOT MAKE ASSUMPTIONS REGARDING HOLE LOCATIONS, CHECK EACH DIMENSION